

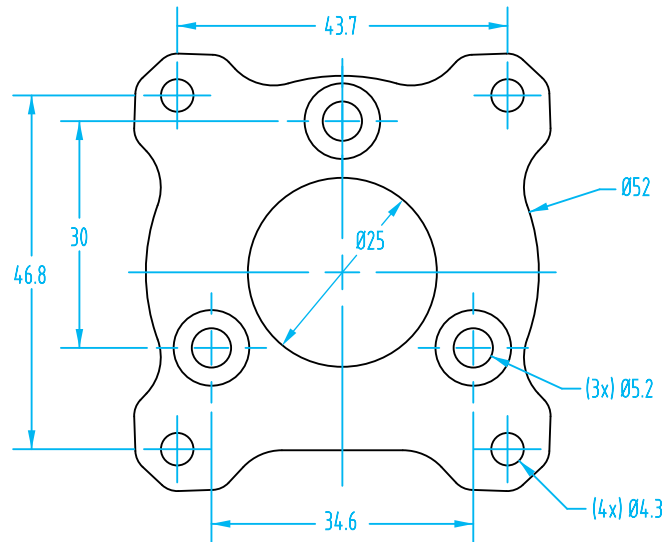
>ASS< Quick Changer Interfaces

NEW

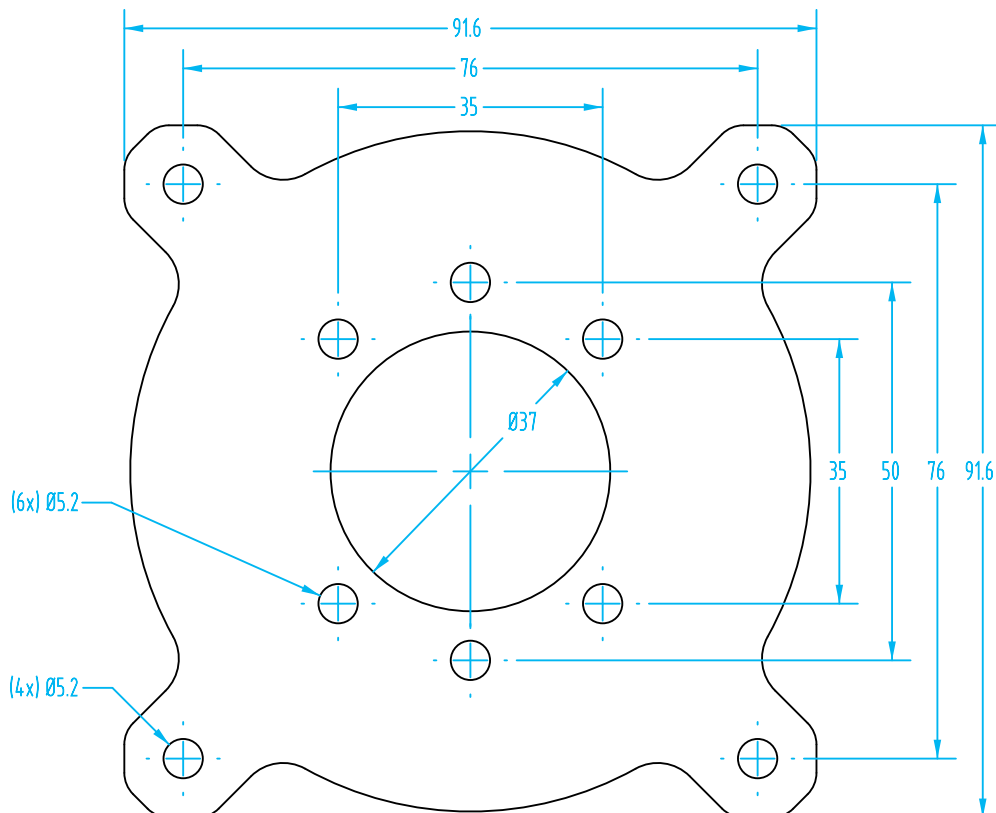
>ASS< Quick Changer Interface

Quick#	Part#	>ASS< #	Quick Changer	Price	Material	Thickness	Wt.
3833	GP-SWH-G-50	1-023-05-00	Mini (SWH-50)	\$22.05	Aluminum	4mm	54g
3834	GP-SWH-G-90	1-023-09-00	Standard (SWH-90)	\$25.73	Steel	3mm	180g
3835	GP-SWH-G-150	1-023-15-00	Large (SWH-150)	\$37.28	Steel	4mm	512g

Includes fasteners and mounting hardware.

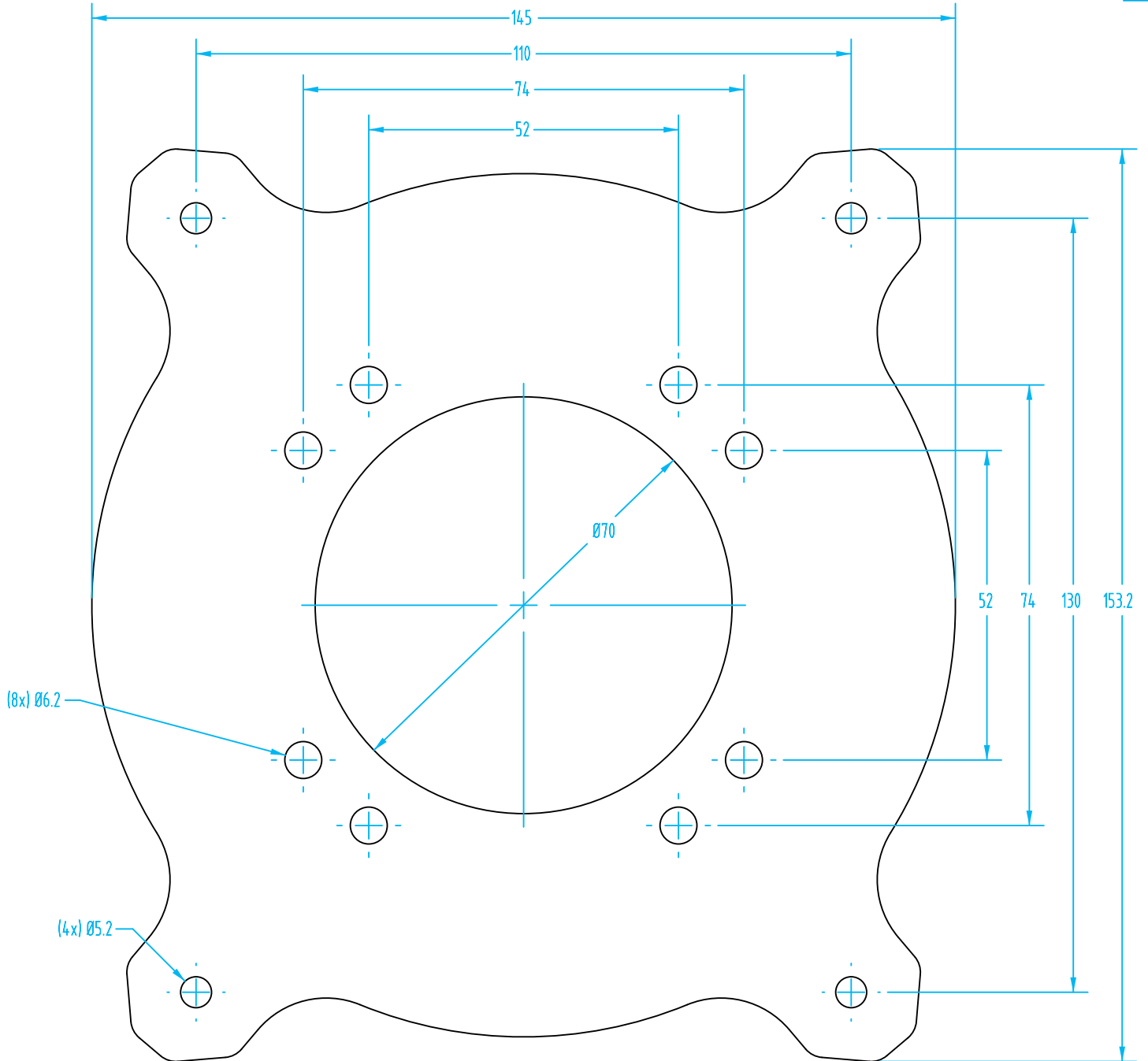
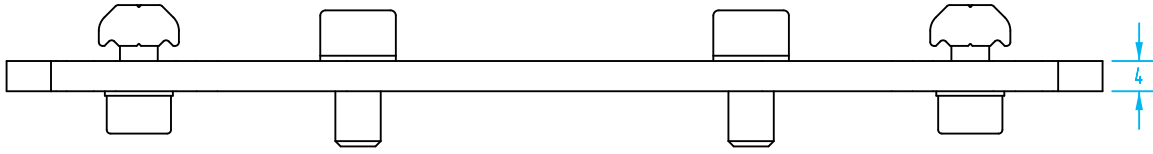


#3834



>ASS< Quick Changer Interfaces

#3835



Save on Custom Plates!

Custom mounting plates, interfaces, and brackets are available from EMI – Fast and at a low cost. EMI's in-house laser cutter precision cuts aluminum and stainless up to 0.250" thick.