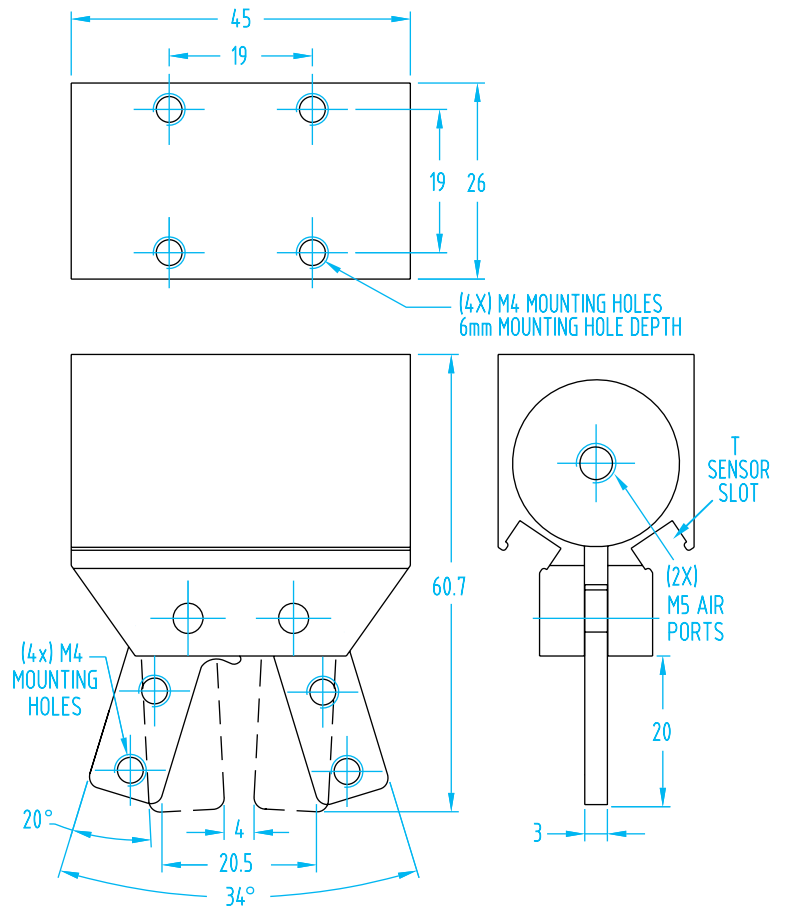


Angular Gripper – AA



- M4 threads on the jaw to mount your own fingers.
- The AA-21 features the same strong mechanism used for the popular #790 & #791 sprue grippers. Its practical design and strong grip force have become the standard for many sprue gripping applications. The hardened steel jaws have mounting holes for custom made fingers used in very specific applications. The AA-21 is the base gripper we use for our special deep reach and large diameter grippers.
- Mounting Brackets available on page 458–459.

(Dimensioned drawings shown full scale)

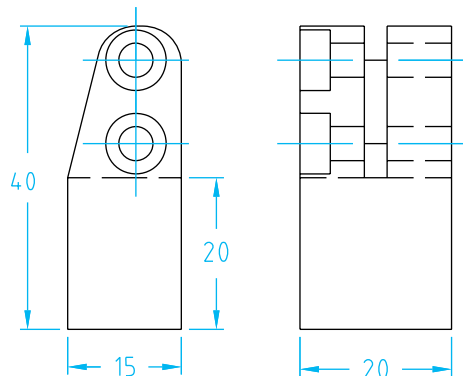


AA-21 - Angular Gripper

Quick#	Part#	Price	Weight	Style	lbs. Force at 25mm Tooling Length*	lbs. Force at 35mm Tooling Length*
1476	GSG-AA-21-NO	\$235.00	94g	Spring Open	22.5 lbf	16.0 lbf
1477	GSG-AA-21	\$235.00	92g	Double Acting	27.0 lbf	19.5 lbf
<i>Order sensors separately</i> * Force when compressed air is supplied at 87psi. Tooling length is measured from jaw pivot point.						
792	SL4N225G	\$27.20	PNP	T-slot, 3-wire with lead, 2.5m long		
6274	SL3N203G	\$31.16	PNP	T-slot, 3-wire with M8 male connector, 0.3m long*		
793	SL4M225G	\$27.20	NPN	T-slot, 3-wire with lead, 2.5m long		
6456	SL3M203G	\$31.16	NPN	T-slot, 3-wire with M8 male connector, 0.3m long*		

See Sensor Reference Guide on page 1010 for a complete list of compatible sensors.

Don't want to machine custom fingers from scratch? Start with these aluminum finger blanks. They are easy to shape to your particular part.



AA-21 - Finger Blanks - priced per pair

Quick#	Part#	Material	Price
1858	GSG-FB-AA21	Aluminum	\$29.76

Includes fasteners.

