

Two-Jaw Parallel Self-Centering Gripper – DH

- Double acting, with normally closed (-NC) or normally open (-NO) option.
- Self-centering.
- Many jaw strokes available.
- See Sensor Reference Guide on page 1010 for a complete list of compatible sensors.

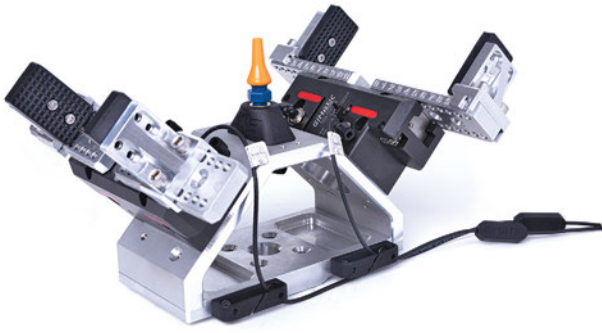


Quick#	7180	7181	7182	7183	7184	7185	7186
Part#	DH1905	DH2208	DH2204	DH2712	DH2706	DH3516	DH3508
Price	\$618.00	\$650.00	\$650.00	\$707.00	\$707.00	\$786.00	\$786.00
Medium	Filtered, lubricated / non-lubricated compressed air						
Operating pressure range	29–116 psi					22–116 psi	
Total opening force at 87 psi	33.7 lbf	45 lbf	90 lbf	65.2 lbf	130.4 lbf	112.4 lbf	224.8 lbf
Total closing force at 87 psi	30.6 lbf	40.4 lbf	80.9 lbf	58.5 lbf	116.9 lbf	98.9 lbf	197.8 lbf
Stroke (±0.3mm)	5mm	8mm	4mm	12mm	6mm	16mm	8mm
Opening / closing time without load	0.01s	0.02s	0.02s	0.03s	0.03s	0.03s	0.03s
Repetition accuracy	0.02mm						
Mid-stroke detection capability	Yes, see Sensor Reference Guide on page 1010 for details.						
Weight	87g	148g	150g	255g	260g	460g	470g

Use Quick#s for easy online ordering.

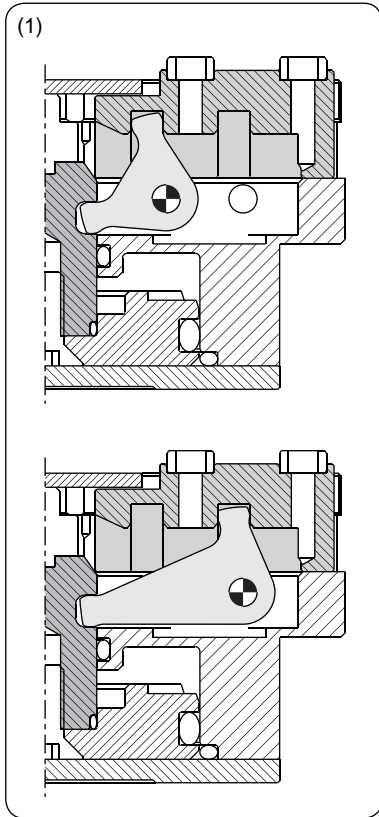
For more information visit: www.EMlcorp.com

Two-Jaw Parallel Self-Centering Gripper – DH

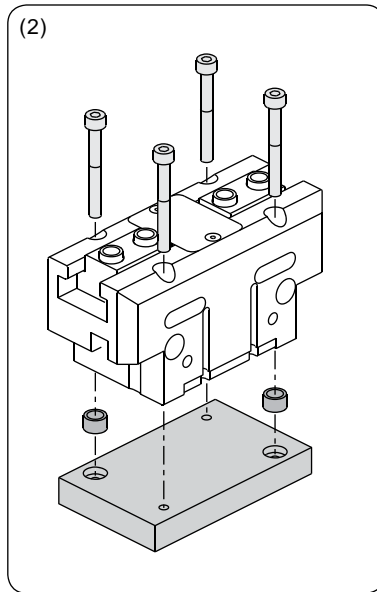


NEW

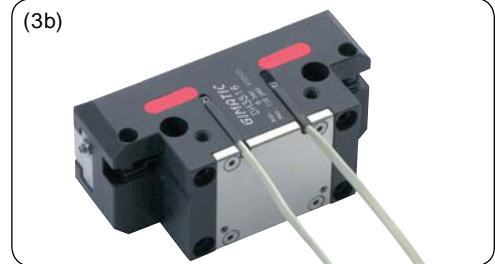
Automate your Machine Tending Process!
Find our Machine Tending Gripper Kits for DH & TH grippers on page 162.



(1) High efficiency force transmission / long stroke or short stroke.



(2) Possibility of front fastening with through screws.



(3) Optional teachable PRO (3a), SS or SN (3b), or inductive (3c) sensors available.

Quick#	7187	7188	7189	7190	7191	7192	7193	7194
Part#	DH4420	DH4410	DH5526	DH5512	DH6632	DH6616	DH8750	DH8728
Price	\$894.00	\$894.00	\$1044.00	\$1044.00	\$1405.00	\$1405.00	\$1796.00	\$1796.00
Medium	Filtered, lubricated / non-lubricated compressed air							
Operating pressure range	22–116 psi							
Total opening force at 87 psi	182 lbf	364.2 lbf	281 lbf	607 lbf	413.6 lbf	827.3 lbf	701.4 lbf	1236.4 lbf
Total closing force at 87 psi	164.1 lbf	328.2 lbf	249.5 lbf	539.5 lbf	368.7 lbf	737.4 lbf	638.4 lbf	1124 lbf
Stroke (±0.3mm)	20mm	10mm	26mm	12mm	32mm	16mm	50mm	28mm
Opening / closing time without load	0.08s	0.08s	0.11s	0.08s	0.15s	0.15s	0.21s	0.21s
Repetition accuracy	0.02mm							
Mid-stroke detection capability	Yes, see Sensor Reference Guide on page 1010 for details.							
Weight	780g	800g	1350g	1370g	2630g	2670g	4990g	5050g