

## Three-Jaw Parallel Self-Centering Gripper – TH

- Double acting, with normally closed (-NC) or normally open (-NO) option.
- Self-centering.
- Three jaw stroke range from 2 to 16mm.
- See Sensor Reference Guide on page 1010 for a complete list of compatible sensors.
- Optional pusher bar to assist in part retention or release.



Optional Push Bar

Quick#	Part#	Price	For Gripper
7530	TH27K	\$103.00	#7146
7531	TH33K	\$109.00	#7147 & #7148
7532	TH45K	\$115.00	#7149 & #7150
7533	TH54K	\$123.00	#7151 & #7152
7534	TH76K	\$134.00	#7153 & #7154
7535	TH96K	\$140.00	#7155 & #7156
7536	TH125K	\$153.00	#7157 & #7158



TH76..



TH33..



TH54..



TH45..



TH2725

Quick#	7146	7147	7148	7149	7150	7151	7152
Part#	TH2725	TH3304	TH3302	TH4506	TH4503	TH5408	TH5404
Price	\$758.00	\$786.00	\$786.00	\$804.00	\$804.00	\$846.00	\$846.00
Medium	Filtered, lubricated / non-lubricated compressed air						
Operating pressure range	22–116 psi						
Total opening force at 87 psi	64.2 lbf	96 lbf	192 lbf	178.8 lbf	357 lbf	256.2 lbf	512.4 lbf
Total closing force at 87 psi	58.7 lbf	85.5 lbf	168.6 lbf	165 lbf	330 lbf	236.1 lbf	478.8 lbf
Stroke (±0.5mm)	3x2.5mm	3x4mm	3x2mm	3x6mm	3x3mm	3x8mm	3x4mm
Opening / closing time without load	0.02s	0.02s	0.02s	0.05s	0.05s	0.05s	0.05s
Repetition accuracy	0.02mm						
Mid-stroke detection capability	Yes, see Sensor Reference Guide on page 1010 for details.						
Weight	117g	237g	240g	430g	440g	760g	770g

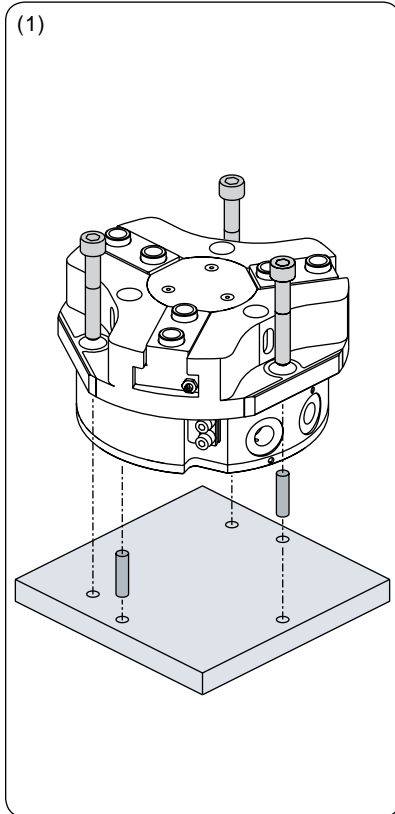
For more information visit: [www.EMlcorp.com](http://www.EMlcorp.com)

## Three-Jaw Parallel Self-Centering Gripper – TH

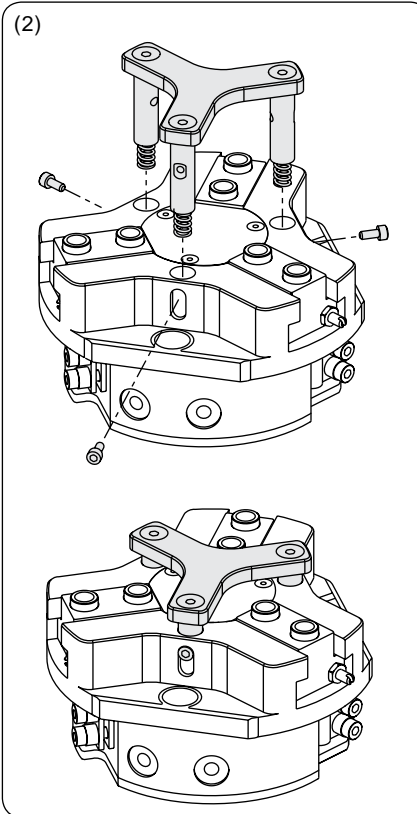


**NEW**

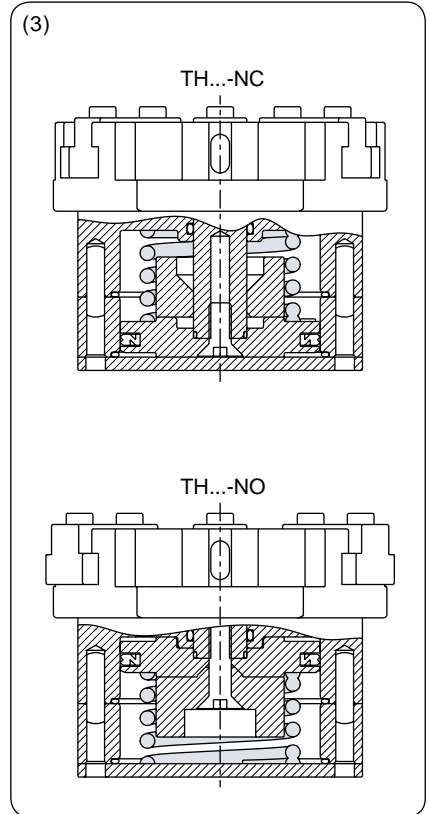
**Automate your Machine Tending Process!**  
**Find our Machine Tending Gripper Kits for**  
**DH & TH grippers on page 162.**



(1) Possibility of front fastening with through screws.



(2) This accessory is NOT included and can be installed to hold payload during the gripper release.



(3) Double acting with optional springs (normally closed or normally open).

Quick#	7153	7154	7155	7156	7157	7158
Part#	TH7610	TH7605	TH9613	TH9606	TH12516	TH12508
Price	\$946.00	\$946.00	\$1134.00	\$1134.00	\$1787.00	\$1787.00
Medium	Filtered, lubricated / non-lubricated compressed air					
Operating pressure range	22–116 psi					
Total opening force at 87 psi	512.4 lbf	1011.6 lbf	816 lbf	1767 lbf	1382.4 lbf	2745 lbf
Total closing force at 87 psi	485.4 lbf	964.5 lbf	782.4 lbf	1686 lbf	1267.8 lbf	2522.4 lbf
Stroke (±0.5mm)	3x10mm	3x5mm	3x13mm	3x6mm	3x16mm	3x8mm
Opening / closing time without load	0.20s	0.20s	0.20s	0.20s	0.30s	0.30s
Repetition accuracy	0.02mm					
Mid-stroke detection capability	Yes, see Sensor Reference Guide on page 1010 for details.					
Weight	1420g	1430g	2450g	2490g	4920g	4990g