

SMC Angular Grippers – MHC2

- Double acting (-_D), or normally open (-_S) models.
- Bore sizes from 10mm to 25mm.
- Built-in variable throttle.
- Optional sensors available.
- Finger blanks available on page 649.
- Mounting brackets on page 628.



	Quick#	Part#	Price	Closing Force at 87psi		Finger Stroke	Weight
				at 20mm	at 40mm		
Double Acting	2101	MHC2-10D	\$129.00	3 lbf	-	40°	39g
	2102	MHC2-16D	\$134.50	10 lbf	6 lbf		91g
	2103	MHC2-20D	\$161.80	20 lbf	10 lbf		180g
	2104	MHC2-25D	\$180.35	37 lbf	20 lbf		311g
Normally Open	2105	MHC2-10S	\$129.00	2 lbf	-	40°	39g
	2106	MHC2-16S	\$134.50	9 lbf	4 lbf		92g
	2107	MHC2-20S	\$161.80	16 lbf	8 lbf		183g
	2108	MHC2-25S	\$180.35	31 lbf	17 lbf		316g

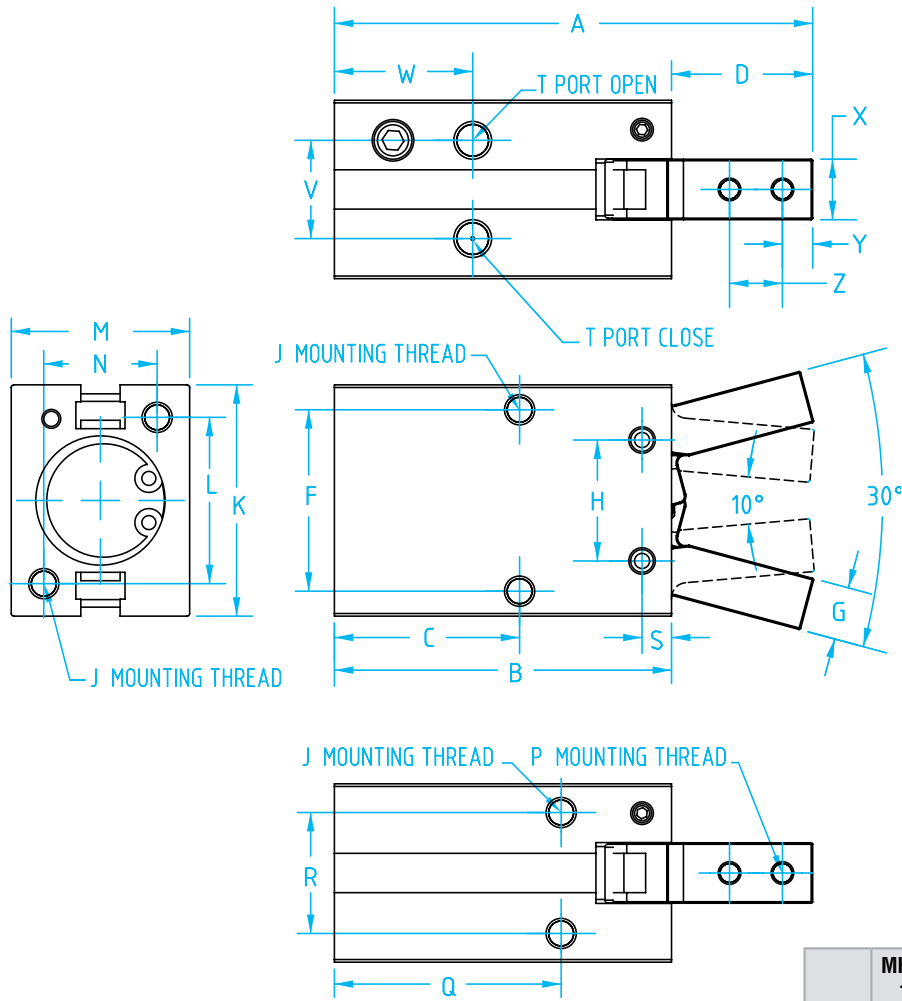
Quick#	Part#	Signal	Connection	Price
SMC 3-wire T-Slot Straight Sensors to detect fully open / fully closed				
2243	Y7PL-PNP	PNP	with lead, 3m long	\$44.00
2244	Y59AL-NPN	NPN	with lead, 3m long	\$34.95
SMC 3-wire C-Slot Straight Sensors for midstroke detection - Purchase Adaptor Separately				
5430	D-M9PL	PNP	with lead, 3m long	\$33.70
2412	D-M9NL	NPN	with lead, 3m long	\$33.70
5497	D-M9P-SAPC	PNP	with M8 male connector, 0.5m long	\$42.06
5498	D-M9N-SAPC	NPN	with M8 male connector, 0.5m long	\$42.06
211	SMC-BMG2-012	T-Slot Adaptor for SMC C-Slot Sensors		\$2.66

Fittings Available
on page 1047



Use Quick#s for easy online ordering.

SMC Angular Grippers – MHC2



Contact EMI for custom designed and manufactured fingers.

	MHC2-10	MHC2-16	MHC2-20	MHC2-25
A	52.4	62.5	78.7	92.0
B	38.6	44.6	55.2	60.4
C	23.0	24.5	29.0	30.0
D	13.8	17.9	23.5	31.6
F	16.0	24.0	30.0	36.0
G	4.0	7.0	8.0	10.0
H	10.0	16.0	20.0	25.0
J	M3	M4	M5	M6
K	23.0	30.6	42.0	52.0
L	18.0	22.0	32.0	40.0
M	16.4	23.6	27.6	33.6
N	12.0	15.0	18.0	22.0
P	M2.5	M3	M4	M5
Q	27.0	30.0	35.0	36.5
R	11.4	16.0	18.6	22.0
S	2.8	3.9	4.5	4.6
T	M3	M5	M5	M5
V	10.4	13.0	15.0	20.0
W	18.8	18.3	22.2	23.5
X	6.4	8.0	10.0	12.0
Y	3.0	4.0	5.2	8.0
Z	5.7	7.0	9.0	12.0