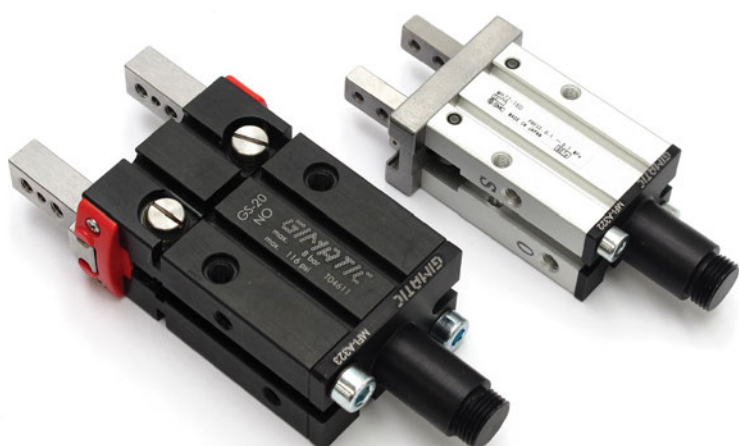


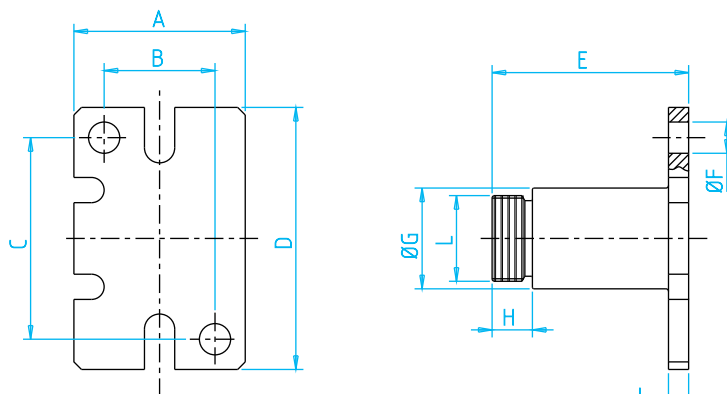
Aluminum Mounting Brackets



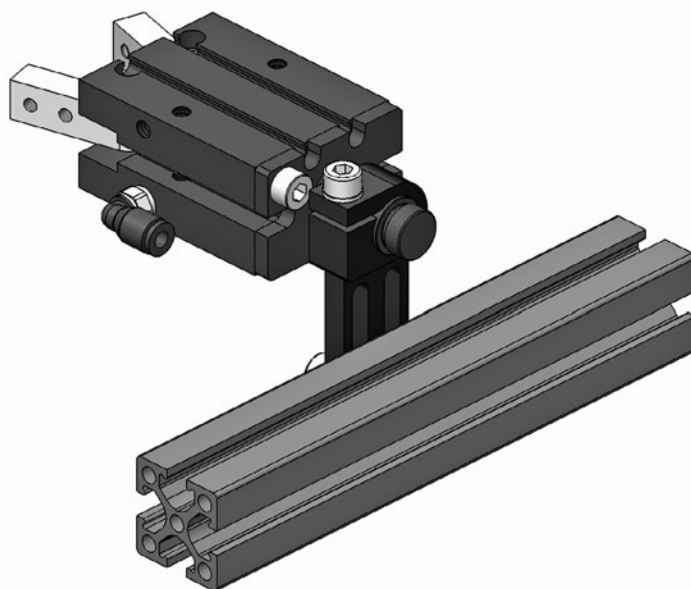
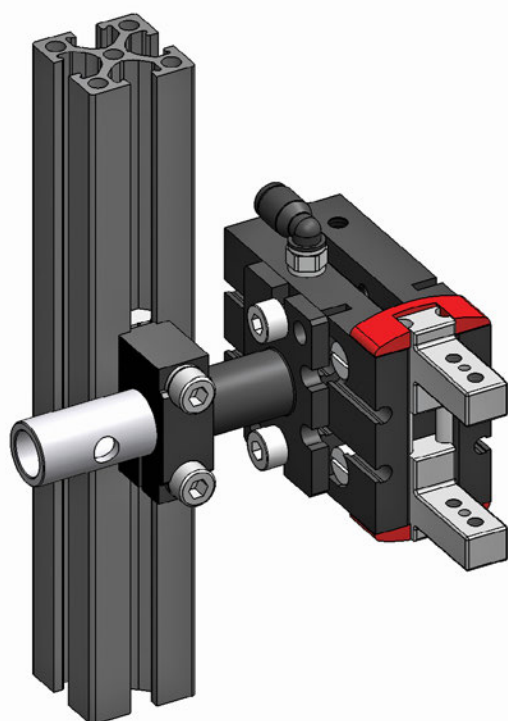
Mounting Brackets for Gimatic GS / GW and SMC MHZ2 / MHC2 Grippers

Quick#	Part#	Price	For gripper	Wt.
7317	MFI-A321	\$26.57	__-10 & GX-16S	8g
7318	MFI-A322	\$29.04	__-16	18g
7319	MFI-A323	\$37.00	__-20	29g
7320	MFI-A324	\$42.11	__-25	57g

Includes fasteners.



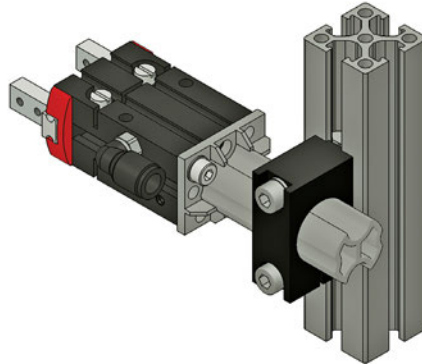
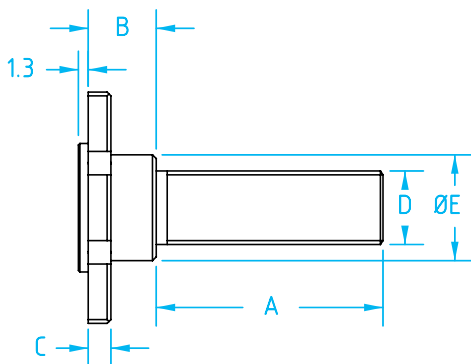
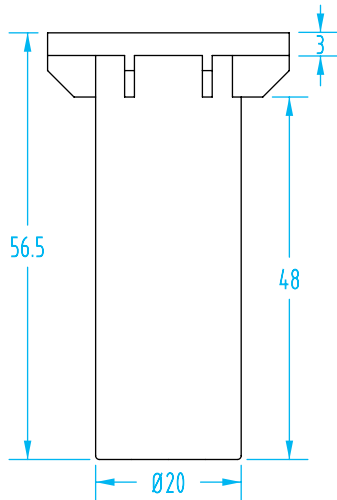
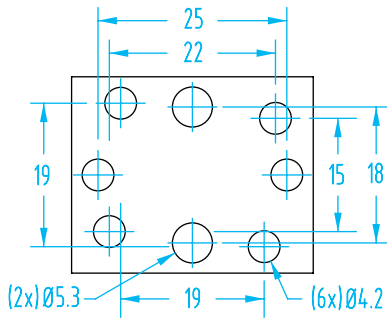
Quick#	7317	7318	7319	7320
For:	__-10	__-16	__-20	__-25
A	17.5	24	28	34
B	12	15	18	22
C	18	22	32	40
D	23.5	31	42	52
E	21	26.5	30	39
F	Ø3.1	Ø4.1	Ø5.2	Ø6.2
G	Ø10	Ø14	Ø14	Ø20
H	5	6	6	8
I	2	2.5	4	4
L	M8x1	M12x1	M12x1	M17x1



Composite Mounting Brackets

For use with Gimatic and SMC

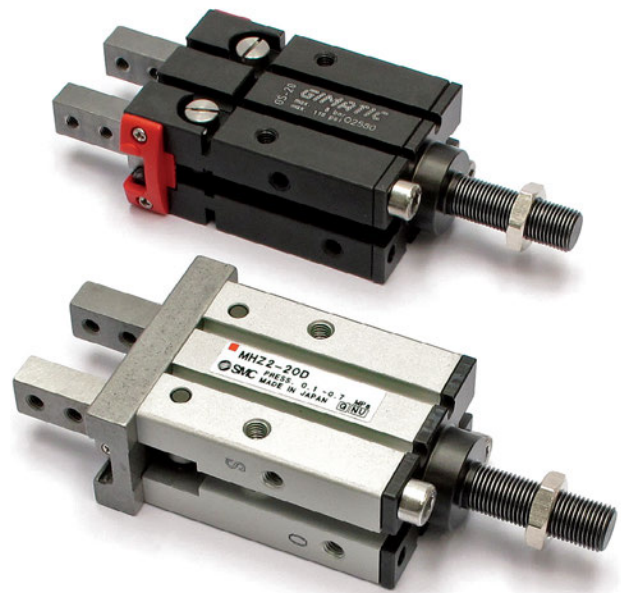
(Dimensioned drawings shown full scale)



Composite Mounting Brackets for Compact Grippers

Quick#	Part#	Price	For gripper	Wt.
6375	MFP-A01	\$3.43	Gimatic: GS-16, GW-16, SMC: MHZ2-16, MHC2-16	26g

Order fasteners separately, see page 1076.



Fittings Available
on page 1047



Mounting Brackets for Gimatic GS- and GW-; and SMC MHZ2- and MHC2- Grippers

Quick#	Part#	Price	For gripper	A	B	C	D	E	Wt.
1918	GMB-GSGW-10	\$32.25	__-10	25	8	3	G1/8"	10	9g
1919	GMB-GSGW-16	\$32.25	__-16	30	9	3	G1/8"	14	14g
1920	GMB-GSGW-20	\$32.25	__-20	30	10	3	G1/8"	20	21g
1921	GMB-GSGW-25	\$32.25	__-25	30	13	5	M15x1	20	43g

Includes fasteners.