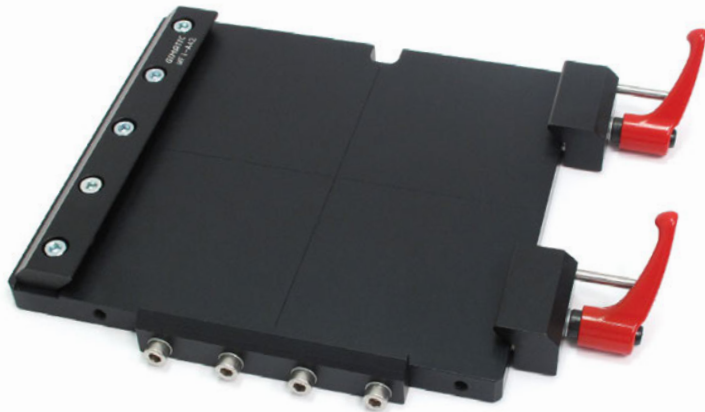


Dovetail Quick Changer – Robot Side – Size 2

(Dimensioned drawing reduced to fit)



#5772
Size 2 Robot-Side
Quick Changer



#5774

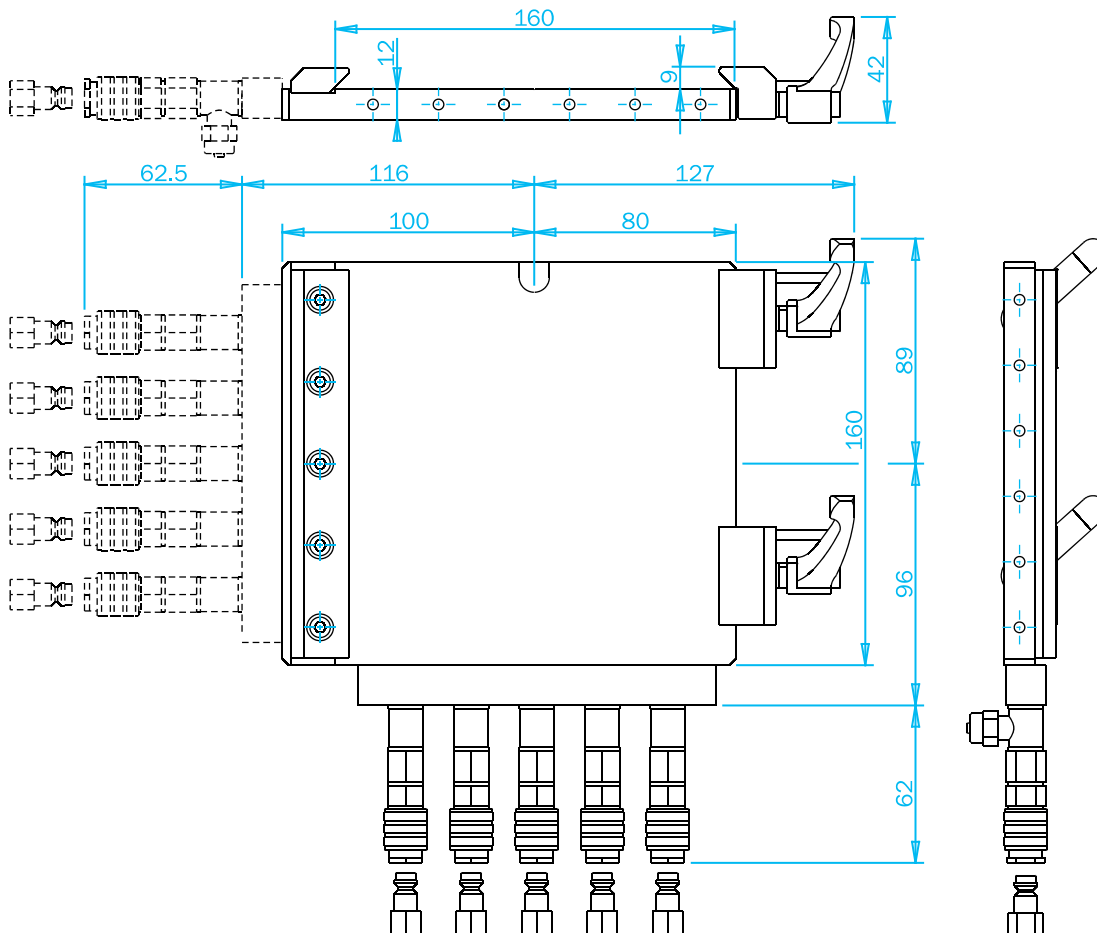


#5775

- Suggested payload: 44.0 lbs.

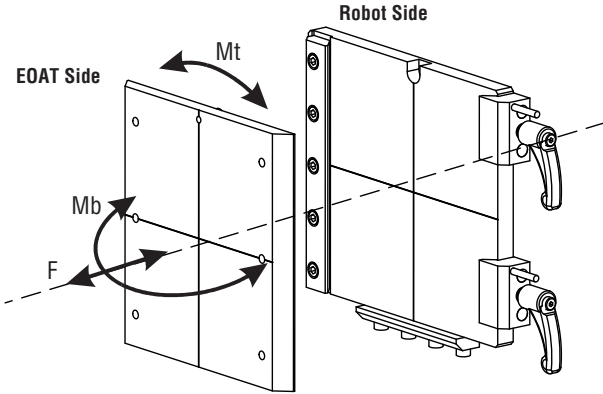
Robot-Side, Size 2

Quick#	Part#	Description	Price	Wt.
5772	MFI-A42	Robot Plate (only)	\$519.00	1270g
5773	MFI-A131	Robot Plate with Fittings	\$596.00	1650g
5774	MFI-A132	Fittings bar	\$132.00	450g
5775	MFI-A134	Nipples for EOAT	\$8.76 (Quantity: 5)	40g
6082	MFI-A43-H	Storage Hanger	\$43.55	-



Dovetail Mounting Plate – EOAT Side – Size 2

(Dimensioned drawing reduced to fit)

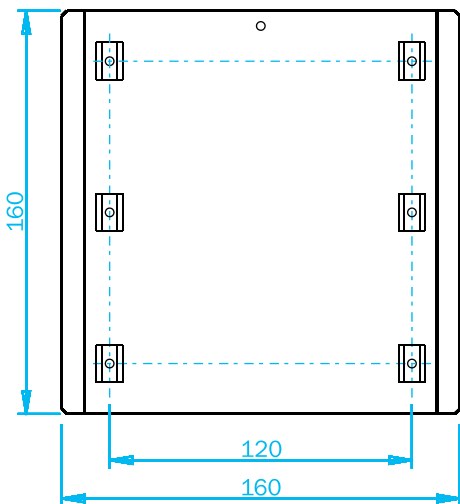
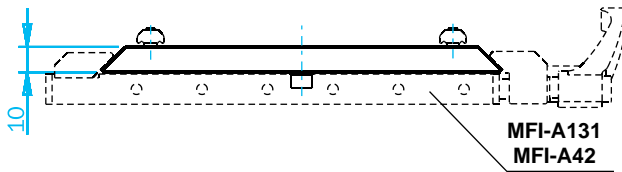


Specifications for Size 2 Dovetail Quick Changer	
Maximum Air Pressure	6 bar (87psi)
Safety Loads:	
F 89.9 lbf.	Mt 88.5 ft-lbs. Mb 59 ft-lbs.

F= Axial Load Limit Mt= Torque Moment Limit
Mb= Bending Moment Limit

EOAT-Side, Size 2

Quick#	Part#	Price	Wt.
5776	MFI-A43	\$43.68	670g



Application Example

