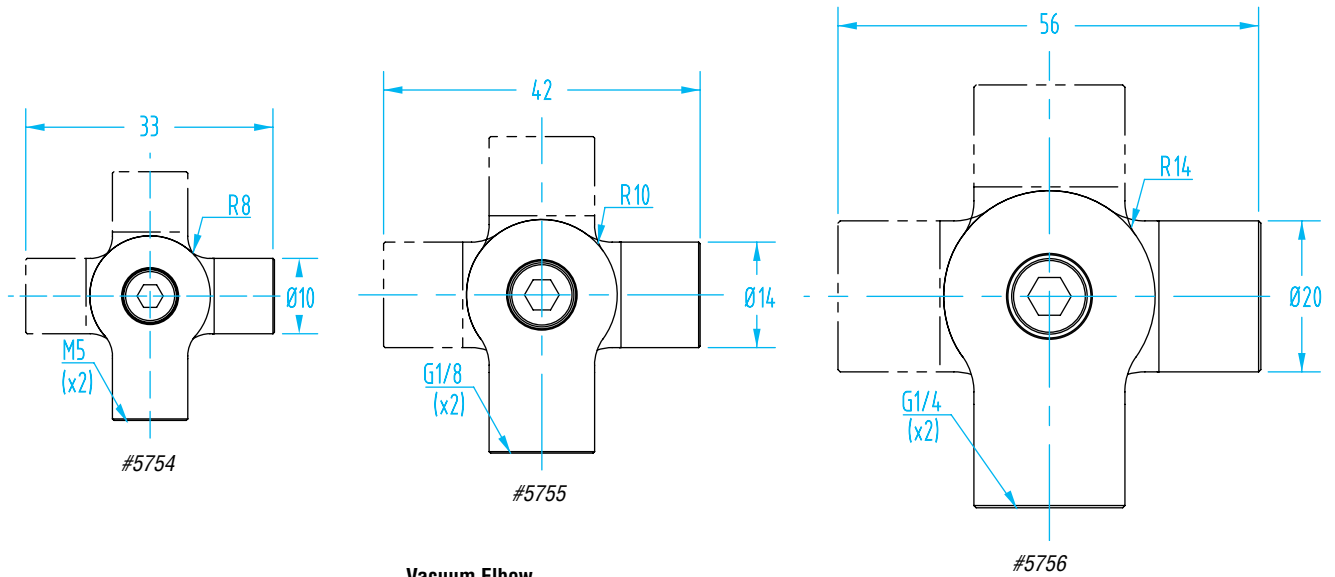


Vacuum Elbow

- Mount between the vacuum cup and suspension or extension tube.
- Sets the angle of a vacuum cup between 0° and ± 90°.
- By tightening one screw the angle is fixed.
- Integrated vacuum channel.
- Adaptor fittings available on page 258.
- For vacuum circuits only.



#5755



Vacuum Elbow

Quick#	Part#	Price	Ports	Wt.
5754	VAC05F05F	\$13.35	M5	10g
5755	VAC18F18F	\$14.38	G1/8"	15g
5756	VAC14F14F	\$20.09	G1/4"	40g

Application Examples

