

Standard Size (90mm) Quick Changer with Air Shut Off

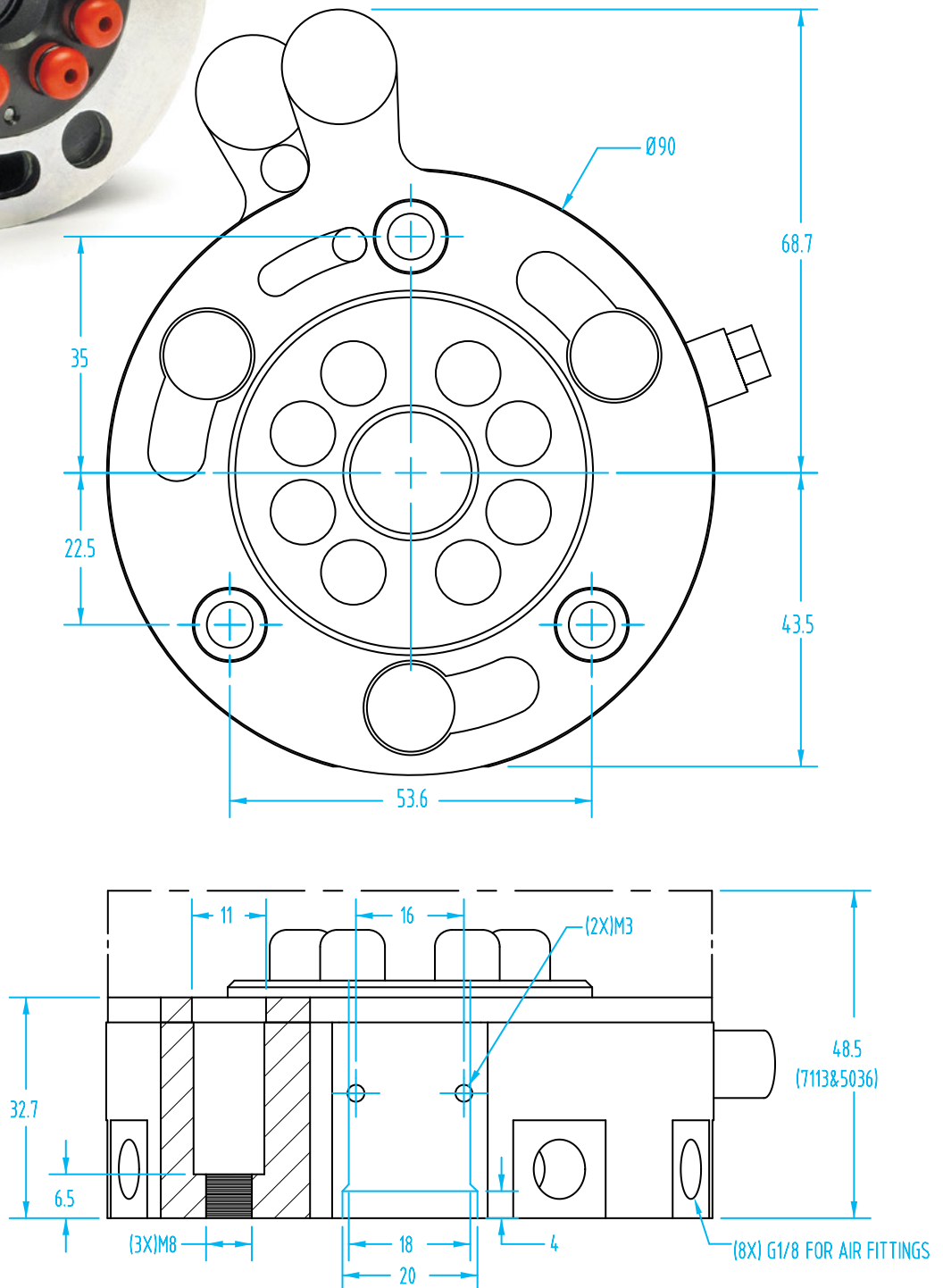
(Dimensioned drawings shown full scale)



Standard Size (90mm) Robot-Side Quick Changer

Quick#	Part#	Price	Weight
7113	QCX90-A	\$438.00	595g

Use Quick#s for easy online ordering.



Large Size (150mm) Quick Changer with Air Shut Off

(Dimensioned drawings reduced to fit)

- The air valves automatically closes the air flow before the system is completely disengaged.
- It is not possible to open the air flow, if the flange is not engaged.
- The rotating tap valve solves all the problems of ball valve systems: the high pushing force necessary for engaging and the uncontrolled movements when disengaging.
- Safety Loads are listed on previous Gimatic Quick Changer pages.

Large Size (150mm) Robot-Side Quick Changer

Quick#	Part#	Price	Weight
7114	QCX150-A	\$756.00	2200g

See Also: EMIcorp.com

Quick#	Part#	Price	Weight
7311	QCX160-A	\$782.00	2200g
7312	QCX200-A	\$879.00	4900g

