

Gimatic Quick Changer Interface



Thin plate-steel interface to mount EOAT-Side quick changer to Gimatic, >ASS<, and 80/20 profiles. Fasteners and mounting screws are included.

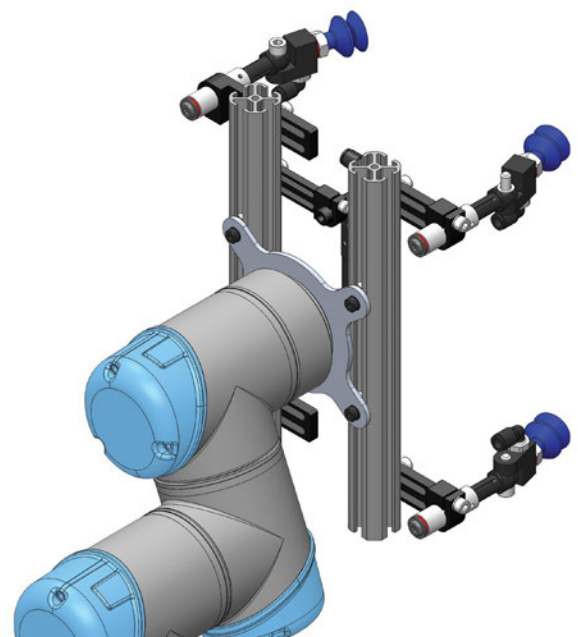
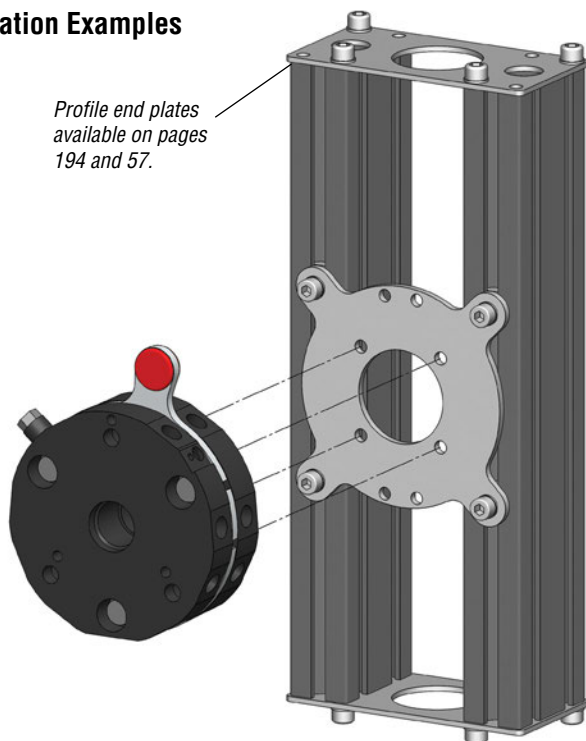


Quick Changer Interface

Quick#	Part#	Price	Quick Changer	Wt.
7303	MFI-A277	\$23.66	Mini 50mm (QC50)	90g
5836	MFI-A102	\$27.25	Standard 90mm (QC90)	190g
5837	MFI-A103	\$39.68	Large 150mm / 160mm (QC150 / QC160)	540g

Use Quick#s for easy online ordering.

Application Examples

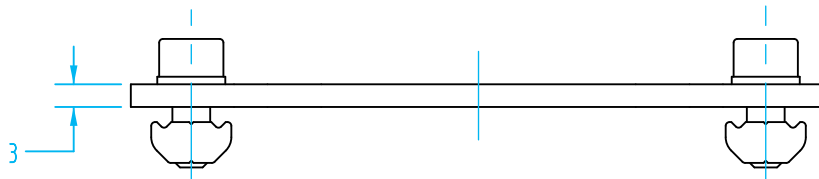
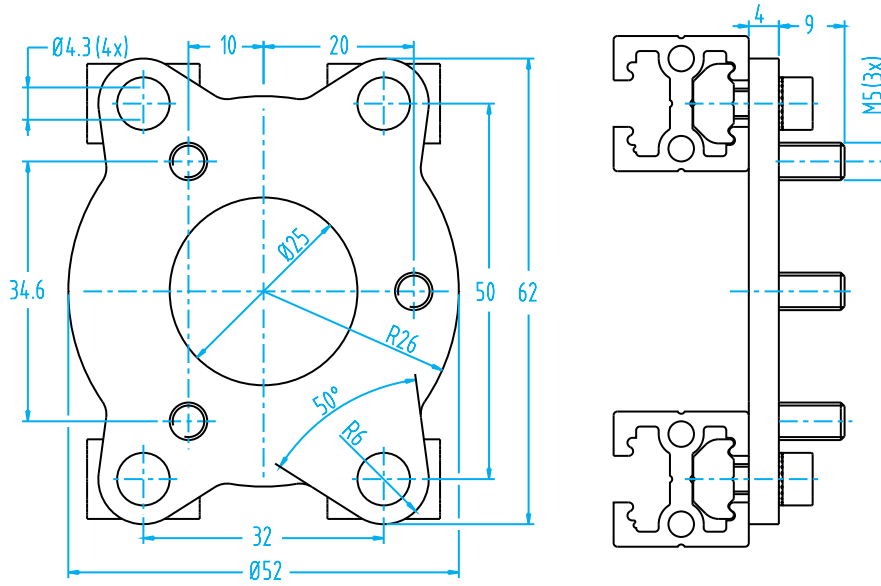


Interface plates for Cobots on page 126.

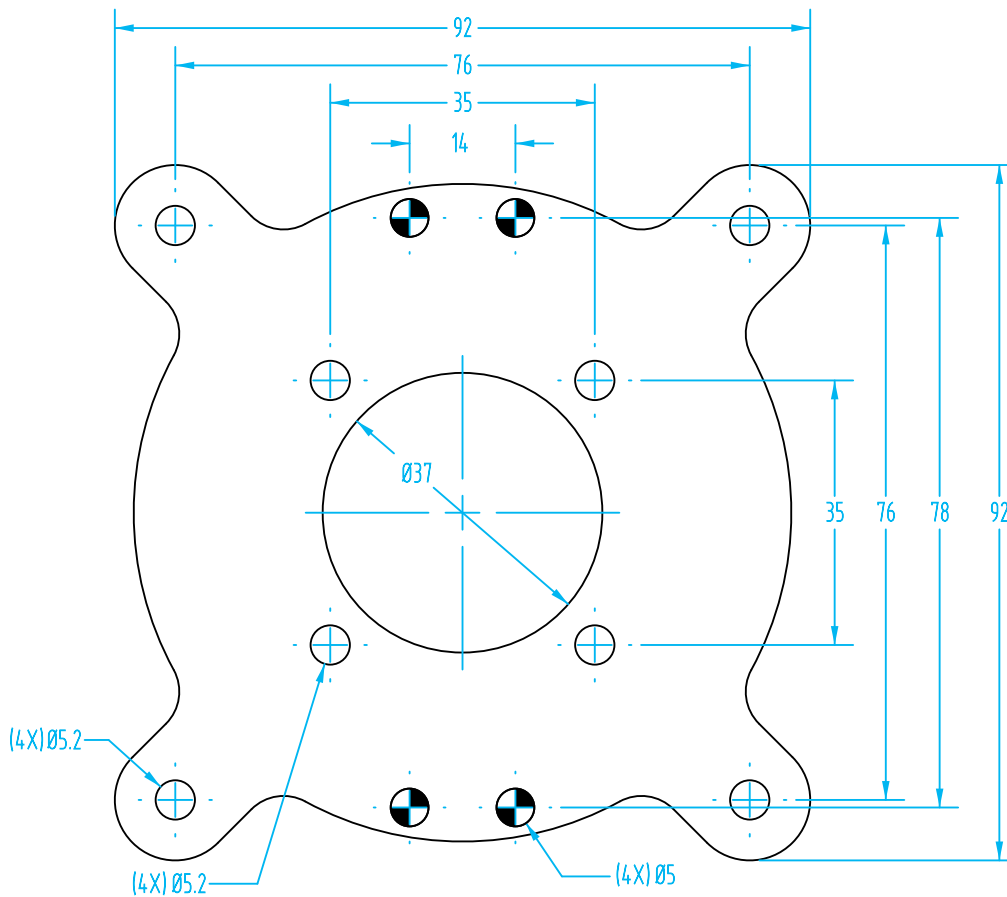
Gimatic Quick Changer Interface

(Dimensioned drawing shown full scale)

#7303



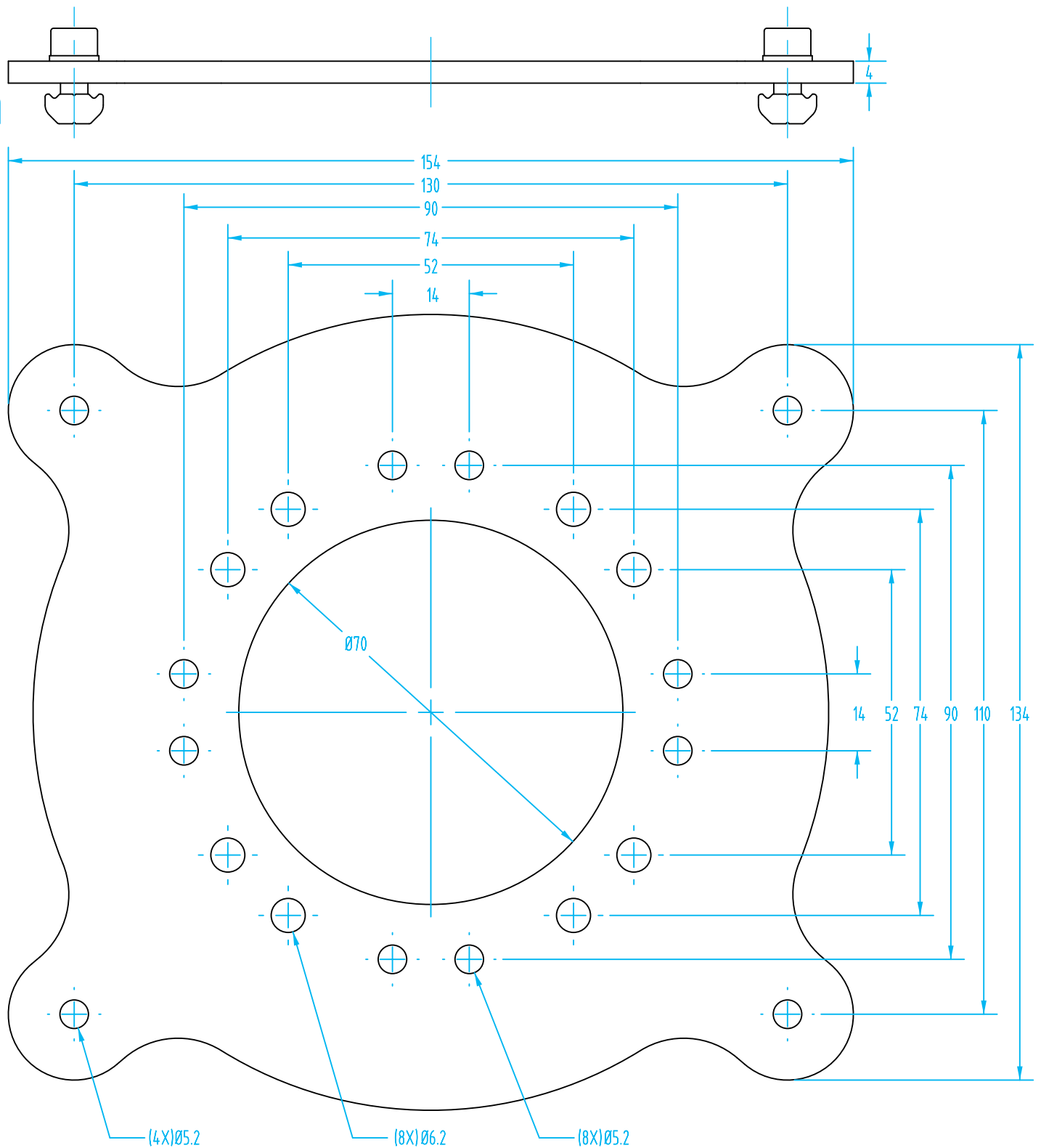
#5836



Gimatic Quick Changer Interface

#5837

(Dimensioned drawing shown full scale)



Save on Custom Plates!

Custom mounting plates, interfaces, and brackets are available from EMI – Fast and at a low cost. EMI's in-house laser cutter precision cuts aluminum and stainless up to 0.250" thick.