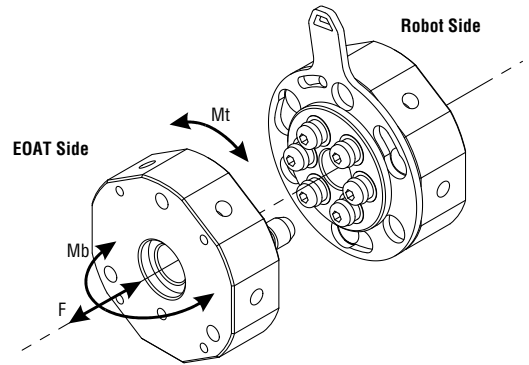


Small Size (50mm) Gimatic Quick Changers



#6423 - Small EOAT-Side Quick Changer

(Dimensioned drawing shown full scale)

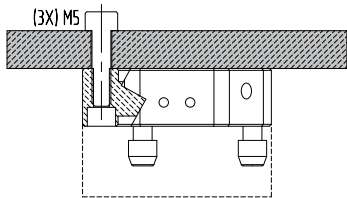


Specifications for Small Size Quick Changer		
Weight	Robot-Side	65g
	EOAT-Side	103g
Maximum Air Pressure	6 bar (87psi)	
Air Ports	(4X) M5	
Electrical Connector	Optional - Adapter needed	
Safety Loads:		
F	Mt	Mb
78 lbf.	22 ft-lbs.	11 ft-lbs.

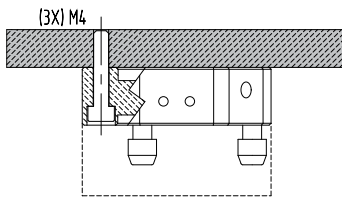
F= Axial Load Limit Mt= Torque Moment Limit
Mb= Bending Moment Limit

- For EOATs that are typically mounted on sprue pickers, tabletop SCARA robots, cobots, or used on IMMs sized up to 100 tons.
- This will generally handle EOATs weighing up to 11 lbs.
- Please consult with EOAT engineering for proper sizing to your application needs.

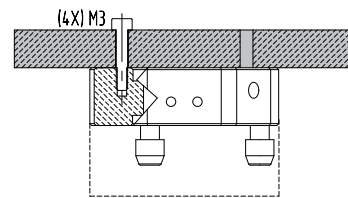
The EOAT-Side Quick Changer can be mounted three ways:



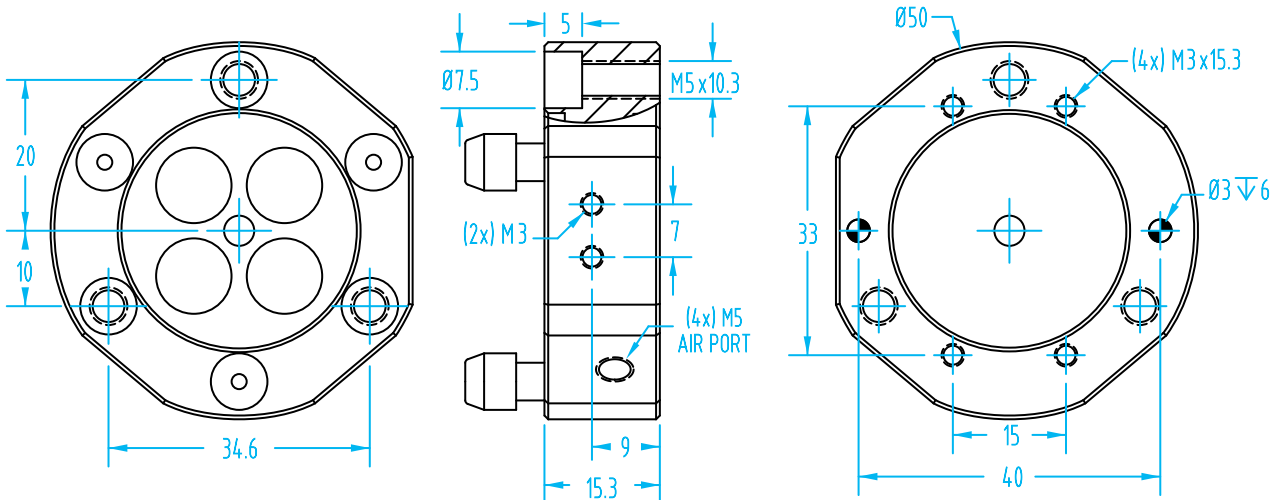
1. Use threaded M5 holes in the Quick Changer, and use 5.3mm thru holes in your EOAT tooling plate.



2. Use the threaded M5 holes as 4.2mm thru holes and use M4 threaded holes in your EOAT tooling plate.



3. Use threaded M3 holes in the Quick Changer, and use 3.4mm thru holes in your EOAT tooling plate.



Small Size (50mm) Gimatic Quick Changers

(Dimensioned drawing shown full scale)

Small Size Quick Changers

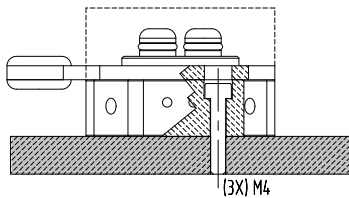
Quick#	Part#	Description	Price
6422	QC50-A	Robot-Side - Small size (50mm)	\$207.00
6423	QC50-B	EOAT-Side - Small size (50mm)	\$103.00
5039	CAQC	Robot-Side Electrical Connector	\$82.00
5040	CBQC	EOAT-Side Electrical Connector	\$46.00
6743	QC50-K	Electrical Connector Adapter for Small Size QC's	\$16.64
6070	CEQC-A	Robot-Side Cable for Electrical Connectors	\$21.84
6071	CEQC-B	EOAT-Side Cable for Electrical Connectors	\$21.84
6069	QC50-H	Horizontal EOAT Storage Hanger (pg. 58)	\$20.75
5996	QC50-V	Vertical EOAT Storage Hanger (pg. 58)	\$20.75

Note: The small size quick changer needs an adapter (Quick# 6743) for electrical connectors. See page 30 for more information.

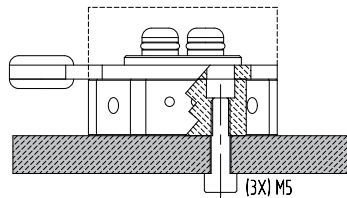


#6422 - Small Robot-Side Quick Changer

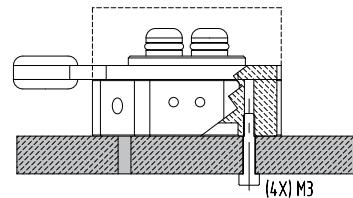
The Robot-Side Quick Changer can be mounted three ways:



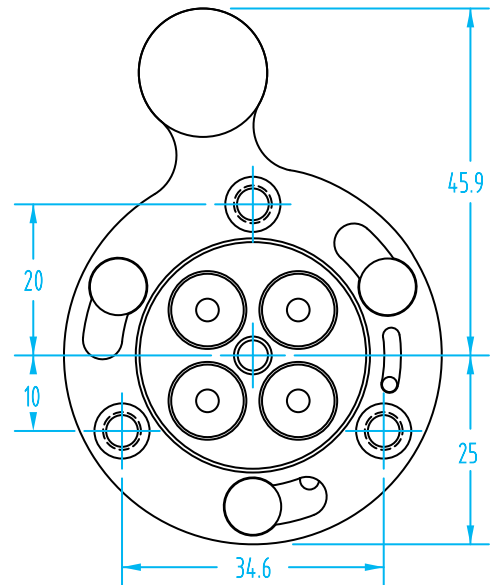
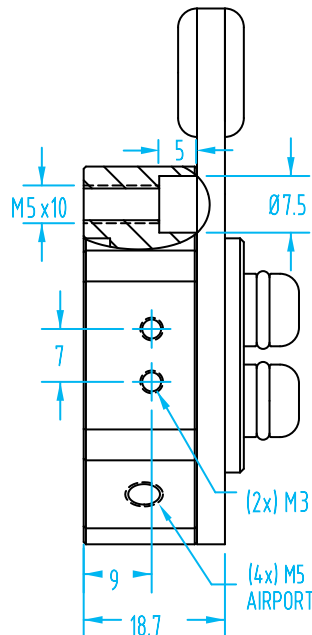
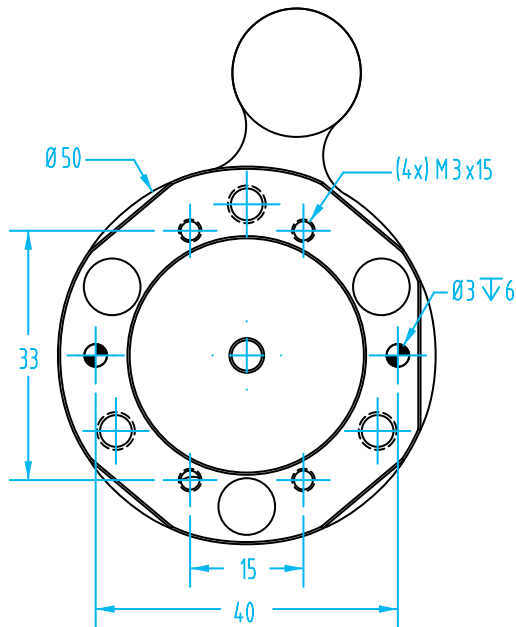
1. Use threaded M5 holes in the Quick Changer, and use 5.3mm thru holes in your robot tooling plate.



2. Use the threaded M5 holes as 4.2mm thru holes. Tap M4 threaded holes in your robot tooling plate.



3. Use threaded M3 holes in the Quick Changer, and use 3.4mm thru holes in your robot tooling plate.

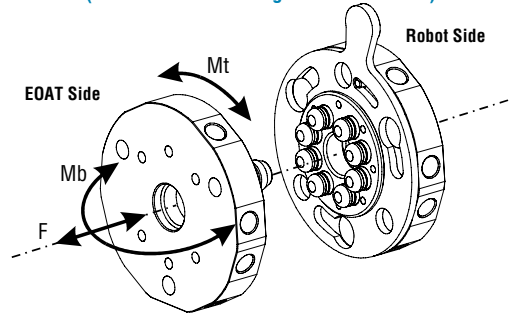


Standard Size (90mm) Gimatic Quick Changers

(Dimensioned drawing shown full scale)



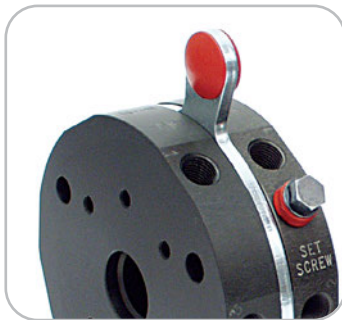
#5036 - Standard EOAT-Side Quick Changer



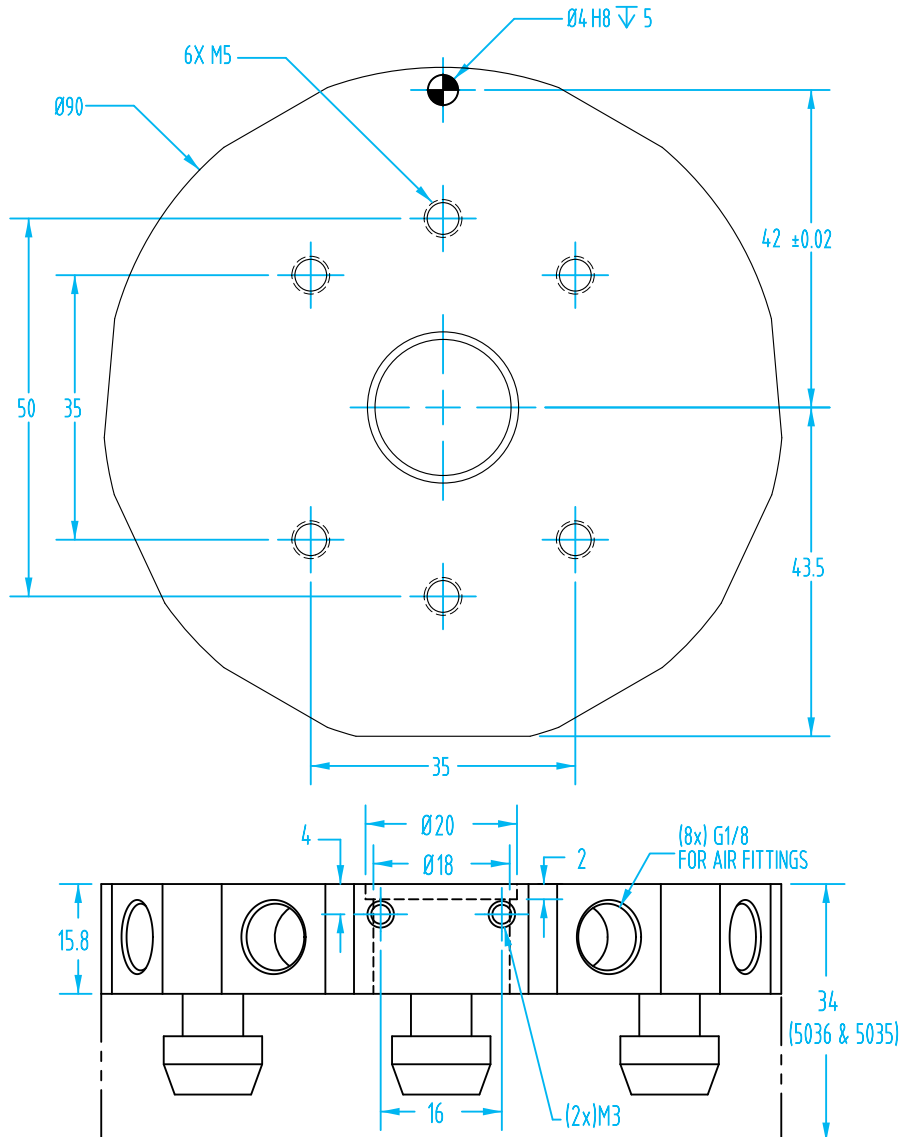
Specifications for Standard Size Quick Changer		
Weight	Robot-Side	318g
	EOAT-Side	227g
Maximum Air Pressure	6 bar (87psi)	
Air Ports	(8X) G 1/8"	
Electrical Connector	Optional	
Safety Loads:		
F 314 lbf.	Mt 132 ft-lbs.	Mb 73 ft-lbs.

F= Axial Load Limit Mt= Torque Moment Limit
Mb= Bending Moment Limit

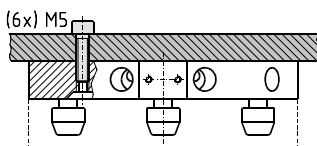
- For EOATs that are typically used on IMMs sized from 50 to 500 tons.
- This will generally handle EOATs weighing up to 44 lbs.
- Please consult with EOAT engineering for proper sizing to your application needs.
- Need to add more air circuits? Pneumatic Interface Expansion Modules available online, Quick#7561 & #7562.



The set screw friction locks against the EOAT-Side's locking pins to eliminate any play between the two Quick Changer sides for "zero tolerance" applications. However, for standard applications, it is not required. The Quick Changer functions very well using only the main locking lever.



EOAT-Side Mounting



See page 40-43 for additional mounting adapters.

Standard Size (90mm) Gimatic Quick Changers

(Dimensioned drawing shown full scale)

Standard Size Quick Changers

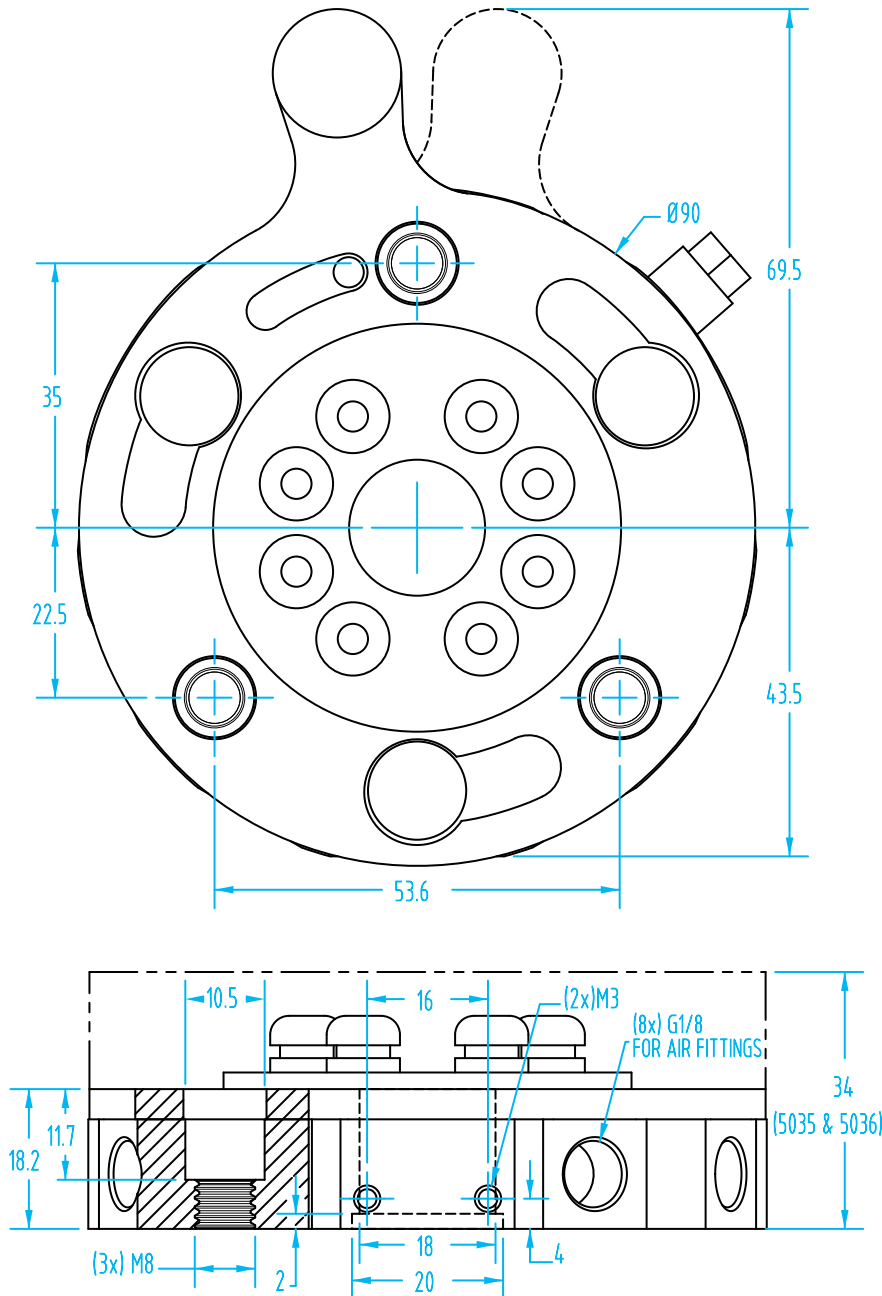
Quick#	Part#	Description	Price
5035	QC90-A	Robot-Side - Standard size (90mm)	\$302.00
5036	QC90-B	EOAT-Side - Standard size (90mm)	\$192.00
5039	CAQC	Robot-Side Electrical Connector	\$82.00
5040	CBQC	EOAT-Side Electrical Connector	\$46.00
6070	CEQC-A	Robot-Side Cable for Electrical Connectors	\$21.84
6071	CEQC-B	EOAT-Side Cable for Electrical Connectors	\$21.84
6545	QC90-H	Horizontal EOAT Storage Hanger (pg. 59)	\$32.86
5997	QC90-V	Vertical EOAT Storage Hanger (pg. 59)	\$32.86
7380	QC9065	Quick Changer Centering Pin	\$25.00

Additional Electrical Connectors available on page 30.

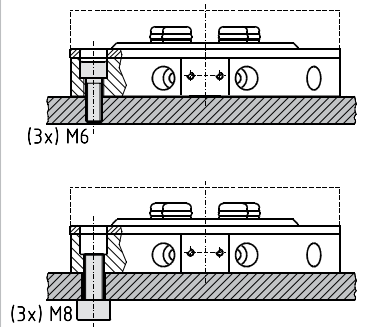
#5035 - Standard Robot-Side Quick Changer



Use Quick#s for easy online ordering.



Robot-Side Mounting



The Robot-Side Quick Changer can be mounted two ways: Use M6 when tapping into your robot plate from the front. Use M8 when making a thru hole in your robot plate to use the M8 threads in the Quick Changer.

Electrical connectors mount to Quick Changer



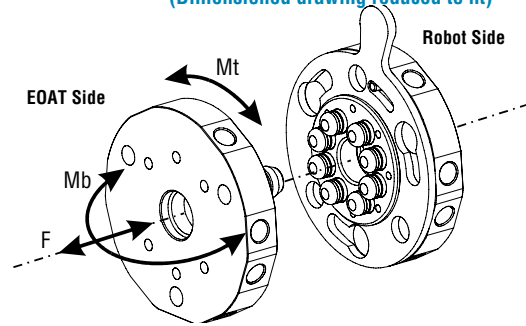
Quick Changer for Collaborative Robots QC75, see page 114.

Large Size (150mm) EOAT Quick Changer



#5038 - Large EOAT-Side Quick Changer

(Dimensioned drawing reduced to fit)

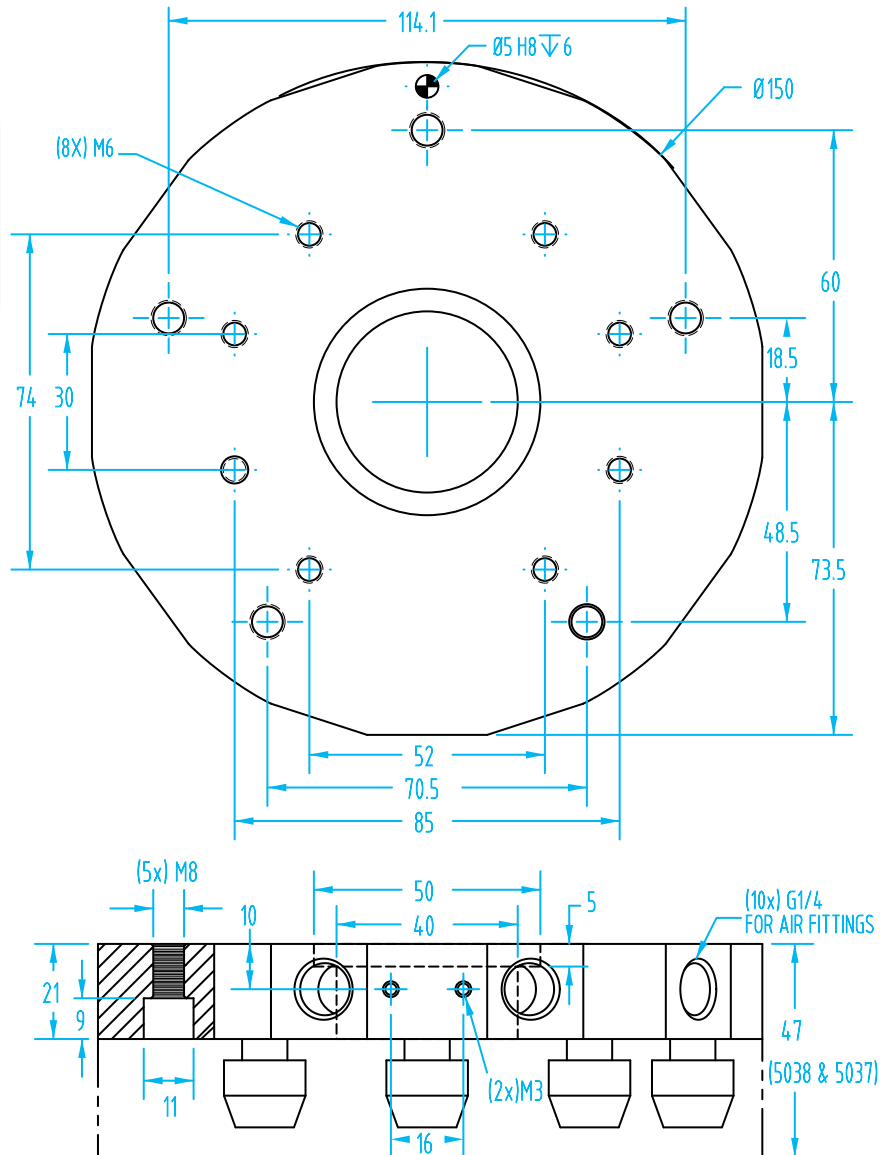


Specifications for Large Size Quick Changer

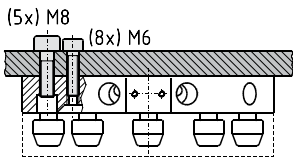
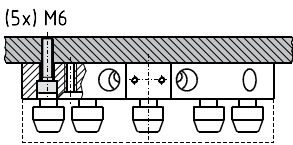
Weight	Robot-Side	1123g
	EOAT-Side	827g
Maximum Air Pressure	6 bar (87psi)	
Air Ports	(10X) G1/4"	
Electrical Connector	Optional	
Safety Loads:		
F 674 lbf.	Mt 442 ft-lbs.	Mb 258 ft-lbs.

F= Axial Load Limit Mt= Torque Moment Limit Mb= Bending Moment Limit

- For EOATs that are typically used on IMMs sized from 500 to 2000 tons.
- This will generally handle EOATs weighing up to 110 lbs.
- Please consult with EOAT engineering for proper sizing to your application needs.



EOAT-Side Mounting



See page 44–45 for additional mounting adapters.

Large Size (150mm) EOAT Quick Changer

(Dimensioned drawing reduced to fit)

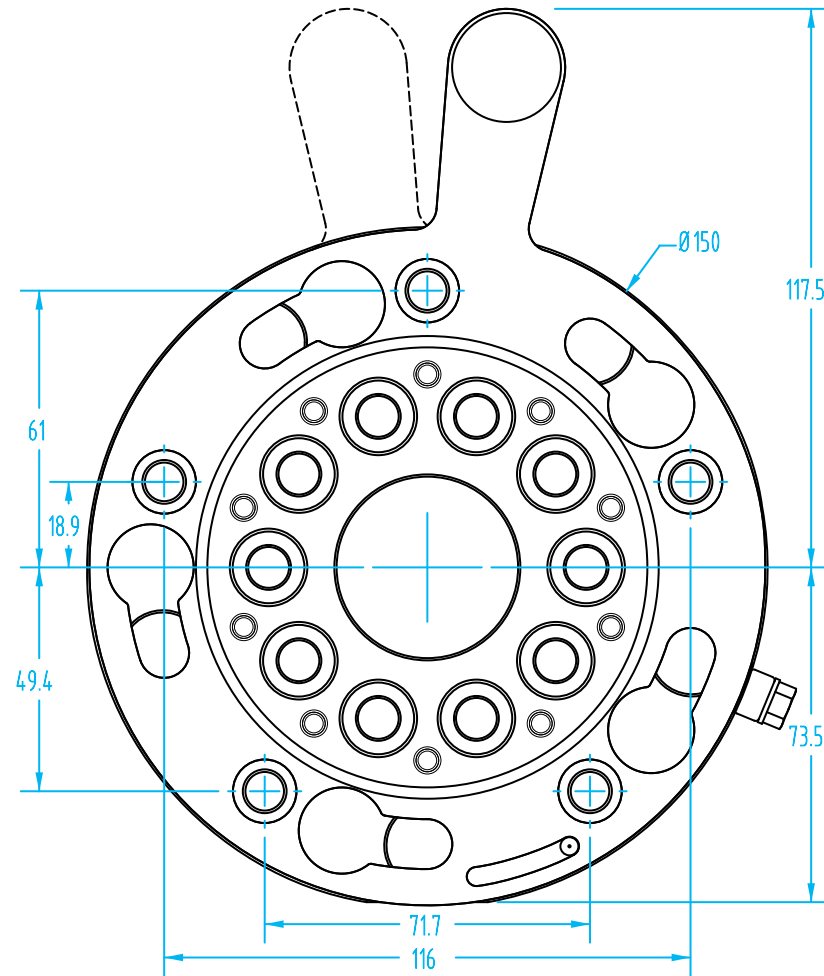
Large Quick Changers

Quick#	Part#	Description	Price
5037	QC150-A	Robot-Side - Large size (150mm)	\$515.00
5038	QC150-B	EOAT-Side - Large size (150mm)	\$296.00
5039	CAQC	Robot-Side Electrical Connector	\$82.00
5040	CBQC	EOAT-Side Electrical Connector	\$46.00
6070	CEQC-A	Robot-Side Cable for Electrical Connectors	\$21.84
6071	CEQC-B	EOAT-Side Cable for Electrical Connectors	\$21.84
6546	QC150-H	Horizontal EOAT Storage Hanger (pg. 60)	\$38.27
5998	QC150-V	Vertical EOAT Storage Hanger (pg. 60)	\$38.27
7381	QC150100	Quick Changer Centering Pin	\$60.00

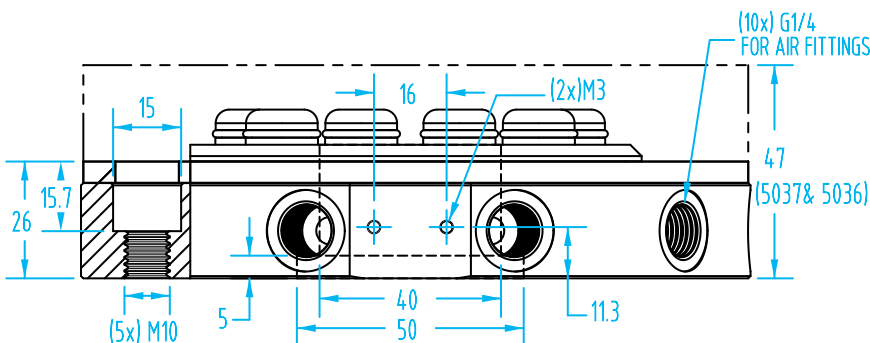
QC-160 with 12-ports available, Call EMI or shop online.
Additional Electrical Connectors available on page 30.



#5037 - Large Robot-Side Quick Changer

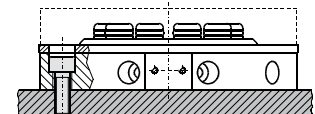


Detachment of the two parts is quick and easy.



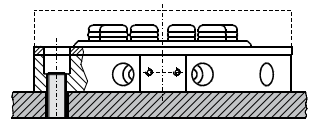
Robot-Side Mounting

You can use the holes in the Quick Changer as 8.5mm thru holes. Tap M8 threaded holes in your robot tooling plate.



(5x) M8

To use the threaded M10 holes in the quick changer, use 10.5mm thru holes in your robot tooling plate.

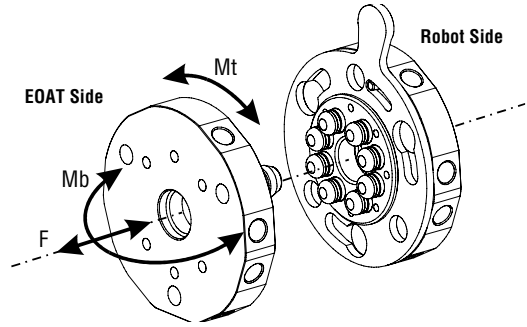


(5x) M10

Jumbo Size (200mm) EOAT Quick Changer



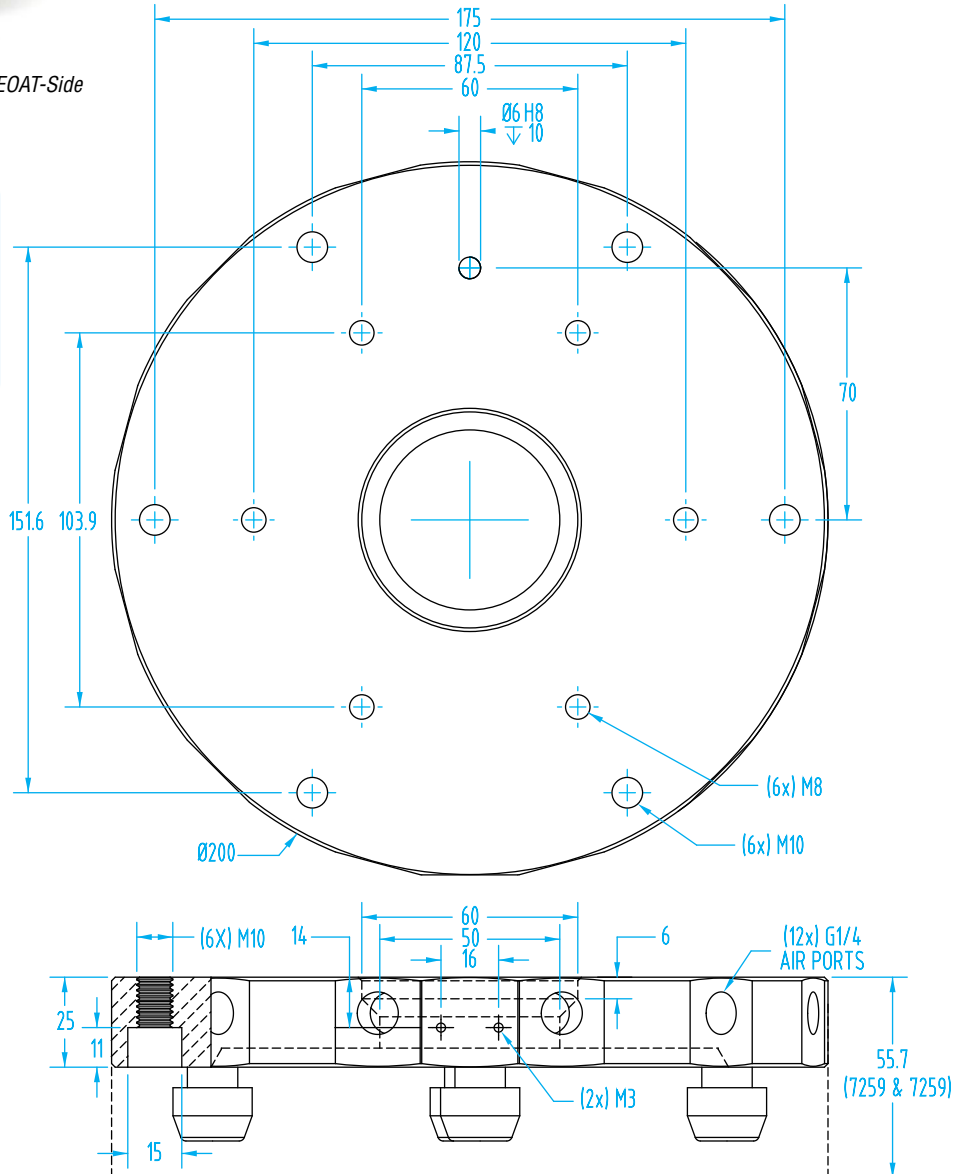
7259 - Jumbo EOAT-Side Quick Changer



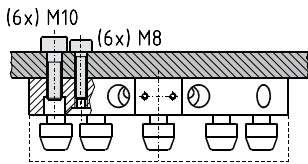
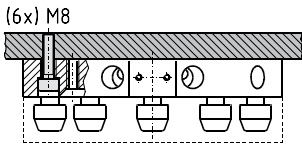
Specifications for Jumbo Size Quick Changer		
Weight	Robot-Side	2640g
	EOAT-Side	1890g
Maximum Air Pressure	6 bar (87psi)	
Air Ports	(12X) G1/4"	
Electrical Connector	Optional	
Safety Loads:		
F 2023 lbf.	Mt 1475 ft-lbs.	Mb 995 ft-lbs.

F= Axial Load Limit Mt= Torque Moment Limit
Mb= Bending Moment Limit

- For EOATs that are typically used on IMMs sized 1000 to 3000 tons.
- This will generally handle EOATs weighing up to 330 lbs.
- Please consult with EOAT engineering for proper sizing to your application needs.



EOAT-Side Mounting



See page 46 for additional mounting adapters.

Jumbo Size (200mm) EOAT Quick Changer

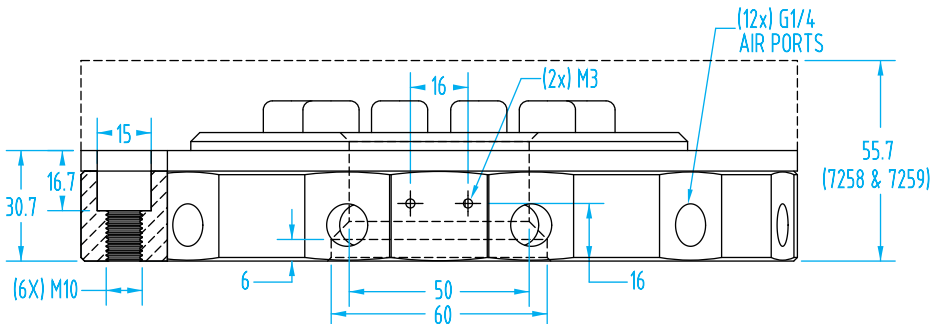
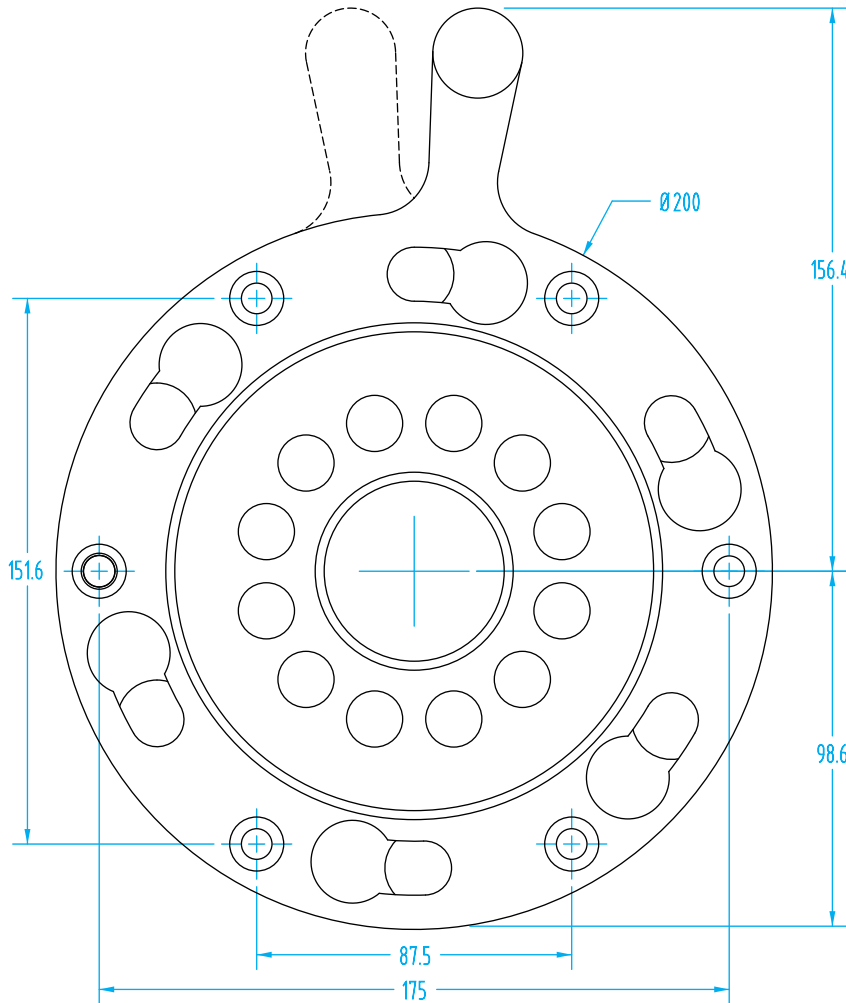
Jumbo Quick Changers

Quick#	Part#	Description	Price
7258	QC200-A	Robot-Side - Jumbo size (200mm)	\$608.00
7259	QC200-B	EOAT-Side - Jumbo size (200mm)	\$342.00
5039	CAQC	Robot-Side Electrical Connector	\$82.00
5040	CBQC	EOAT-Side Electrical Connector	\$46.00
6070	CEQC-A	Robot-Side Cable for Electrical Connectors	\$21.84
6071	CEQC-B	EOAT-Side Cable for Electrical Connectors	\$21.84
6076	QC200-H	Horizontal EOAT Storage Hanger (pg. 61)	\$49.24
5999	QC200-V	Vertical EOAT Storage Hanger (pg. 61)	\$49.24
7382	QC200120	Quick Changer Centering Pin	\$96.00

Additional Electrical Connectors available on page 30.



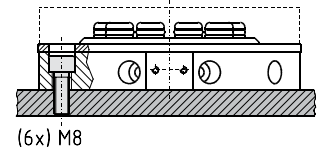
#7258 - Jumbo Robot-Side Quick Changer



Detachment of the two parts is quick and easy.

Robot-Side Mounting

You can use the holes in the quick changer as 8.5mm thru holes. Tap M8 threaded holes in your robot tooling plate.



To use the threaded M10 holes in the Quick Changer, use 10.5mm thru holes in your robot tooling plate.

