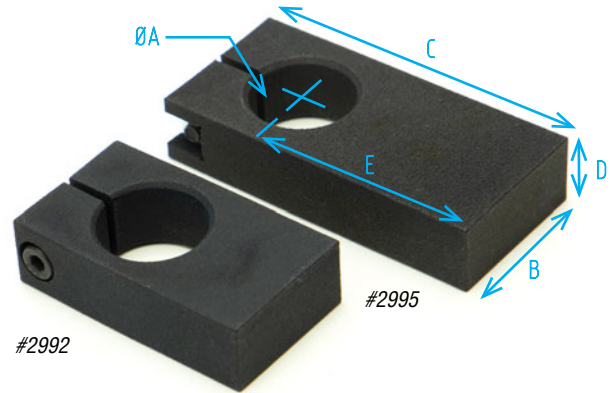
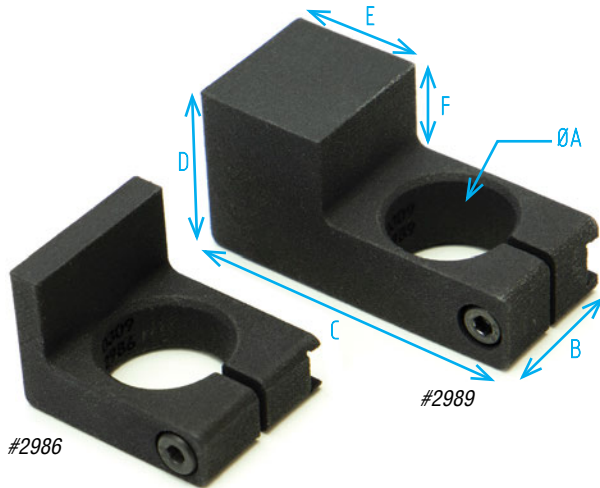


## Gripper Finger Accessories



### ANS Nylon Finger Stops

Quick#	Part#	Price	ØA	B	C	D	E	F	Wt.
2985	ANS14N	\$11.00	14	25	31	23	5.5	13	10g
2986	ANS20N	\$12.65	20	29	35	25	5.5	15	13g
2987	ANS30N	\$20.75	30	40	45	25	5.5	15	17g
2988	ANSE14N	\$21.85	14	24	44	30	18	16	21g
2989	ANSE20N	\$23.20	20	25	57	29	23	15	25g
2990	ANSE30N	\$27.50	30	38	74.5	43	30	24	48g

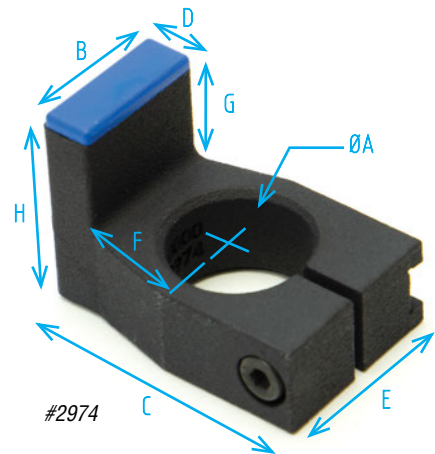
### ANF Nylon Finger Stops

Quick#	Part#	Price	ØA	B	C	D	E	Wt.
2991	ANF14N	\$9.75	14	24	42	10	26	10g
2992	ANF20N	\$17.80	20	29	50	14	30	18g
2993	ANF30N	\$26.80	30	38	67	19	43	36g
2994	ANFE14N	\$13.40	14	25	55	10	39	14g
2995	ANFE20N	\$21.45	20	32	67	14	47	28g
2996	ANFE30N	\$27.35	30	42	84	19	60	56g

### ANS Nylon Finger Stops with HNBR Pads

Quick#	Part#	Price	Pad Q#	ØA	B	C	D	E	F	G	H	Wt.
2973	ANS14N-P	\$16.40	7484	14	22	33	8	24	9	15	29	9g
2974	ANS20N-P	\$18.30	7484	20	22	42	8	29	14	17	31	11g
2975	ANS30N-P	\$17.90	7484	30	22	54	8	38	22	17	31	17g

Note: Guides include HNBR pads but are listed here in case they need to be replaced.

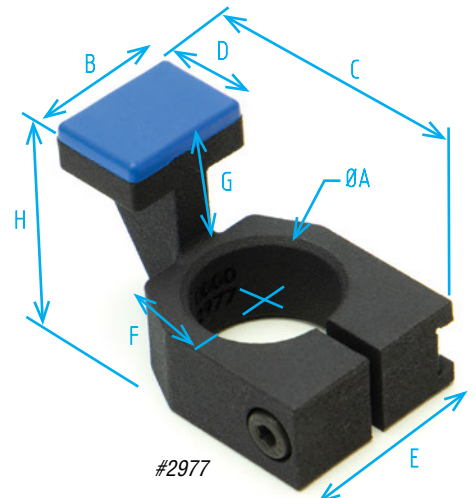


Replaceable HNBR soft-touch, non-marring pads have a 302°F maximum temperature.

### ANSE Nylon Finger Stops with HNBR Pads

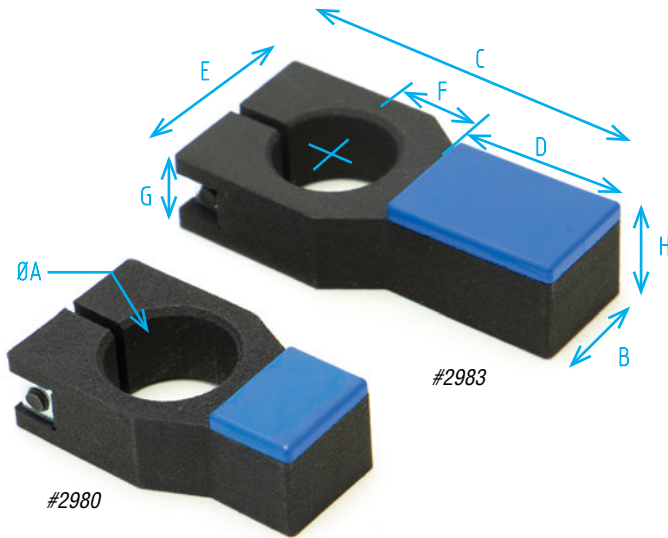
Quick#	Part#	Price	Pad Q#	ØA	B	C	D	E	F	G	H	Wt.
2976	ANSE14N-P	\$18.80	7359	14	14	36	11	24	9	16	30	13g
2977	ANSE20N-P	\$19.80	7360	20	20	47.5	15	29	12.5	18.5	32.5	13g
2978	ANSE30N-P	\$33.25	7361	30	30	64	20	38	20	27	46	31g

Note: Guides include HNBR pads but are listed here in case they need to be replaced.



If you need a custom designed finger stop, see our 3D printing section on page 102 or call EMI Engineering!

Gripper Finger Accessories



ANF Nylon Finger Stops with HNBR Pads

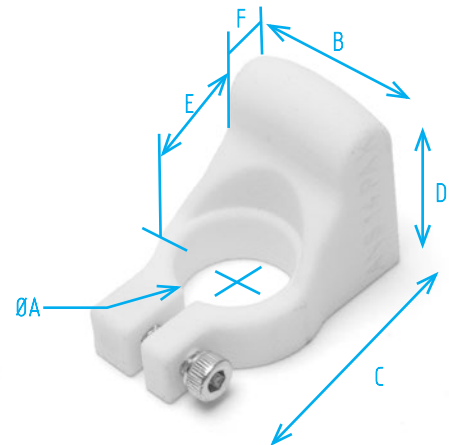
Quick#	Part#	Price	Pad Q#	ØA	B	C	D	E	F	G	H	Wt.
2979	ANF14N-P	\$18.00	7359	14	14	35	11	14	8	10	12.5	9g
2980	ANF20N-P	\$19.40	7360	20	20	47.5	15	29	12.5	14	16.5	15g
2981	ANF30N-P	\$30.40	7361	30	30	64	20	38	20	19	22	31g
2982	ANFE14N-P	\$19.85	7360	14	15	55	20	25	19	10	12.5	18g
2983	ANFE20N-P	\$28.80	7361	20	20	67	30	32	17	14	17	27g
2984	ANFE30N-P	\$34.90	7361	30	30	84	20	42	40	19	22	47g

Note: Guides include HNBR pads but are listed here in case they need to be replaced.

**NEW**

ANS Nylon Curved Finger Stops

Quick#	Part#	Price	ØA	B	C	D	E	F	Wt.
3924	ANS-14-PA-K	\$18.90	14	20	33	24.5	9	8.1	7g
3925	ANS-20-PA-K	\$26.25	20	30	41	35.5	11	9	17g



In conjunction with the EP coating this finger gripper bracket is ideally suited for handling sensitive parts. The curved versions are designed for contoured parts. Maximum continuous temperature for these gripper guides is 194°F with a short term maximum temperature of 266°F.

**NEW**

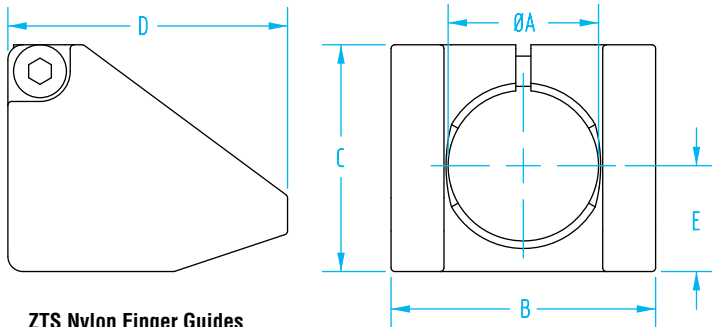
ANS Nylon Curved Finger Stops with EP Coating

Quick#	Part#	Price	ØA	B	C	D	E	F	Wt.
3926	ANS-14-PA-K-EP	\$27.83	14	20	33	24.5	9	8.5	17g
3927	ANS-20-PA-K-EP	\$35.70	20	30	41	35.5	11	9	17g



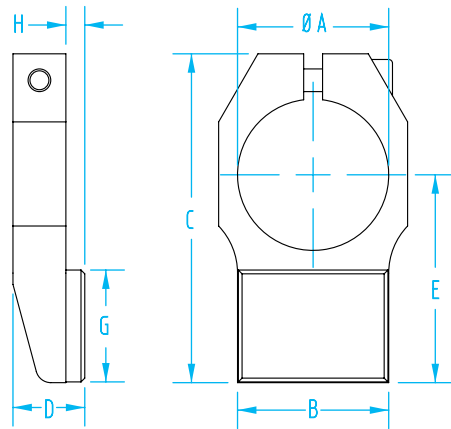
Use Quick#s for easy online ordering.

## Gripper Finger Accessories



ZTS Nylon Finger Guides

Quick#	Part#	Price	ØA	B	C	D	E	Wt.
2997	ZTS14N	\$14.00	14	26	25	33	11.5	12g
2998	ZTS20N	\$14.25	20	35	30	37	14	19g
2999	ZTS30N	\$26.70	30	46	46	65.5	20	73g



Adjustable stopper clamps to gripper fingers

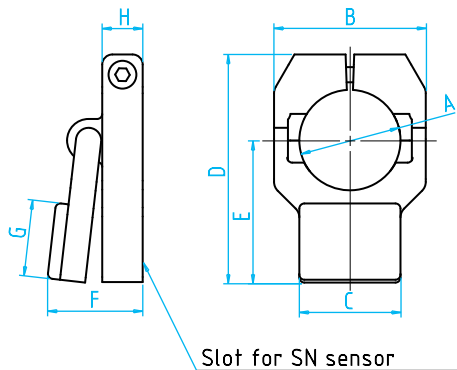
Sensor with adjustable clamp for gripper fingers

Clampable aluminum tubes for extended reach.

Finger Stops with HNBR Pad

Quick#	Part#	Price	Pad Q#	ØA	B	C	D	E	G	H	Wt.
7120	OF14G	\$41.50	7359	14	14	32	10	19	10.8	2.5	6g
7121	OF20G	\$45.50	7360	20	20	43.5	9.5	27.5	14.8	2.5	12g
7122	OF30G	\$56.00	7361	30	30	63	12	40	19.8	3	30g

Note: Guides include HNBR pads but are listed here in case they need to be replaced.



**NEW**

Finger Stops with HNBR Pad and Sensing

Quick#	Part#	Price	Pad Q#	ØA	B	C	D	E	F	G	H	Wt.
7571	OF14H	\$14.97	7359	14	22	14	34.5	21	17.6	11	8	15g
7572	OF20H	\$23.24	7360	20	30	20	45	28	18.7	15	8	20g
7573	OF30H	\$43.12	7361	30	42	30	64	40	25.5	20	12	28g

Note: Guides include HNBR pads but are listed here in case they need to be replaced. See page 1002 for Gimatic SN.. sensors.



## Gripper Finger Accessories

### Replacement Gimatic Springs

Quick#	Part#	For:	Price
7663	OFR1495-07	Gimatic Size 14	\$2.15
6616	OFR20-95-09	Gimatic Size 20	\$3.91
5347	OFR-30-95-07	Gimatic Size 30	\$4.38

### Replacement >ASS< Springs

Quick#	Part#	For:	Price
3895	GSG-GRF14-PSP	>ASS< Size 14	\$3.68
3896	GSG-GRF20-PSP	>ASS< Size 20	\$4.20
3852	1-450-23-08	>ASS< Size 30	\$3.36

### Replacement HNBR Pads - Kits contain 2 Old Style, 2 New Style Pads

Quick#	Part#	For:	Dimensions	Price
7628	KIT3-OFR14	OFR-14	14 x 10.4mm, 2.5mm thick	\$13.06
7629	KIT3-OFR20	OFR-20	20 x 15mm, 2.5mm thick	\$11.13
7630	KIT3-OFR30	OFR-30	30 x 22.3mm, 3mm thick	\$16.87


**NEW**

#7629

### New Style Replacement TPU Pads (176°F Max Temp)

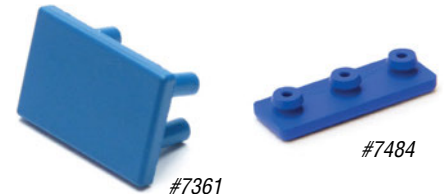
Quick#	Part#	For:	Dimensions	Price
7217	OFR14-95-14	OFR-14	14 x 10.4mm, 2.5mm thick	\$5.19
7218	OFR20-95-14	OFR-20	20 x 15mm, 2.5mm thick	\$5.92
7219	OFR30-95-15	OFR-30	30 x 22.3mm, 3mm thick	\$6.00



#7218

### Replacement HNBR Pads (302°F Max Temp, Non-Marking)

Quick#	Part#	For:	Dimensions	Price
7359	OFR1495-16	OFR-14	14 x 10.4mm, 2.5mm thick, Old Style	\$4.42
7360	OFR2095-16	OFR-20 & Guides	20 x 15mm, 2.5mm thick, Old Style	\$4.42
7361	OFR3095-16	OFR-30 & Guides	30 x 22.3mm, 3mm thick, Old Style	\$6.60
7484	PB-0170-05	Gripper Guides	22 x 8mm, 2mm thick, New Style	\$5.50



#7361

#7484

### Sensor Band for >ASS< & Gimatic Gripper Fingers

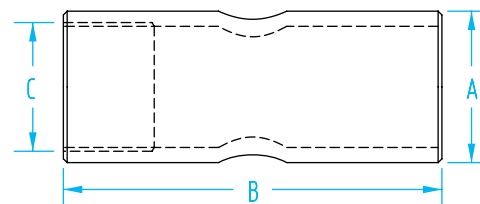
Quick#	Part#	For Body:	Price
7307	SWP-014	Ø14	\$2.22
7308	SWP-020	Ø20	\$2.22
7309	SWP-030	Ø30	\$2.22
7310	SWP-050	Ø50	\$2.22



Note: Use with C-Slot Gimatic Sensors on page 1002 or SMC sensors on page 1004.

### Extension Tube

Quick#	Part#	Price	A	B	C	Wt.
3384	VLR14-40	\$8.40	14	40	M12x1	6g
3385	VLR14-80	\$10.50	14	80	M12x1	14g
3386	VLR14-120	\$10.50	14	120	M12x1	23g
3387	VLR20-50	\$10.50	20	50	M17x1	15g
3388	VLR20-100	\$10.50	20	100	M17x1	29g
3389	VLR20-150	\$11.55	20	150	M17x1	44g
3390	VLR30-80	\$13.13	30	80	M27x1	51g
3391	VLR30-140	\$13.65	30	140	M27x1	88g
3392	VLR30-200	\$14.70	30	200	M27x1	128g



### Extension Tube (Not for Vacuum)

Quick#	Part#	Price	ØA	B	C	Wt.
5842	OF14L80	\$7.50	14	80	M12x1	10g
5843	OF20L100	\$9.72	20	100	M17x1	30g
5994	OF20L250	\$15.44	20	250	M17x1	75g
5844	OF30L120	\$12.59	30	120	M27x1	65g
5995	OF30L250	\$19.60	30	250	M27x1	145g