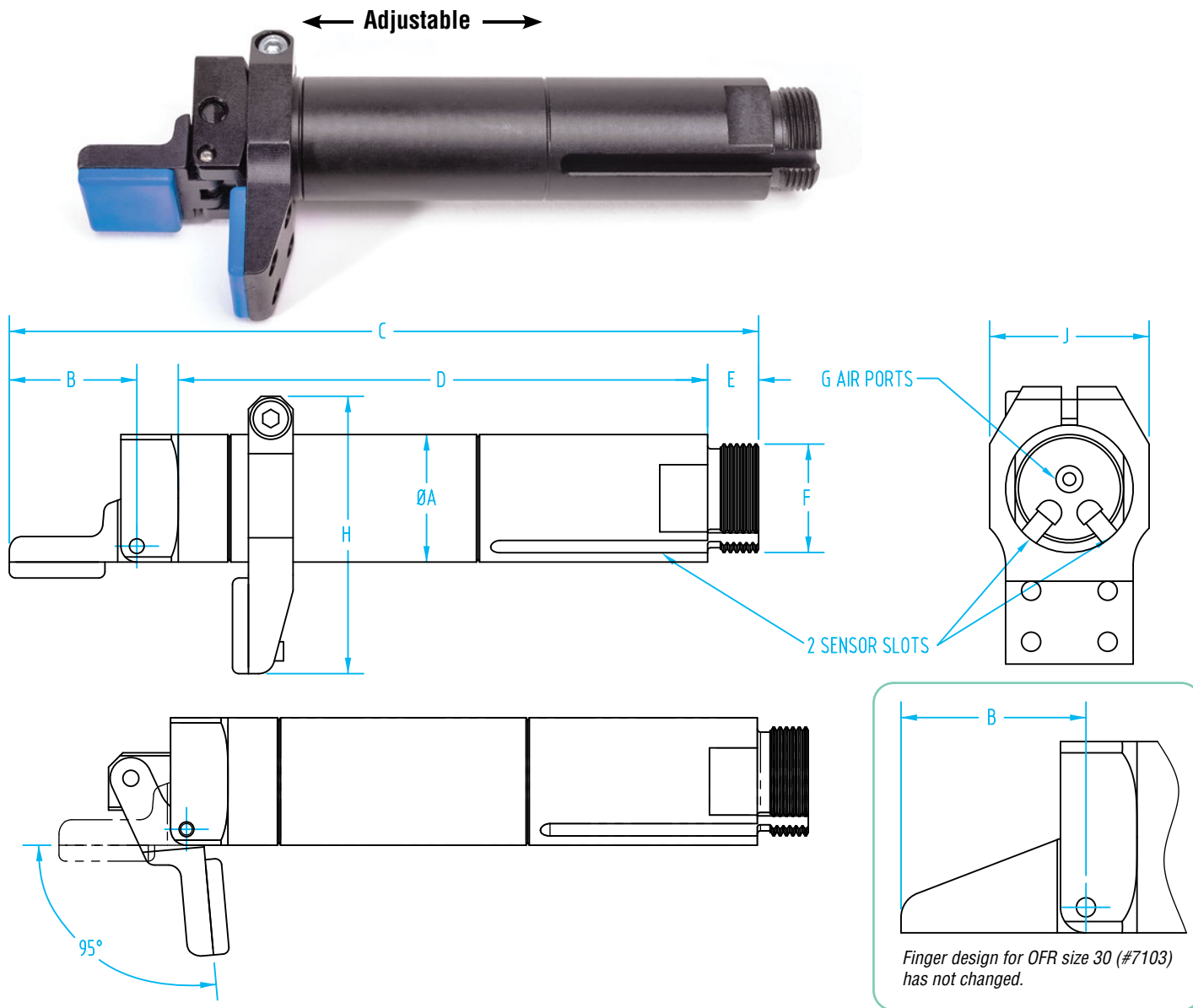


95° Gripper Fingers with Grip Pads (Sensor type)

- Replaceable HNBR soft touch grip, non-marring pads have a 302°F max temp.
- Backstop with HNBR pad is included. One screw easily adjusts location of base grip pad.
- Optional sensor mounting bands available, see page 529.



OFR - 95° Gripper Finger with HNBR Pads (Sensor Slot Version)

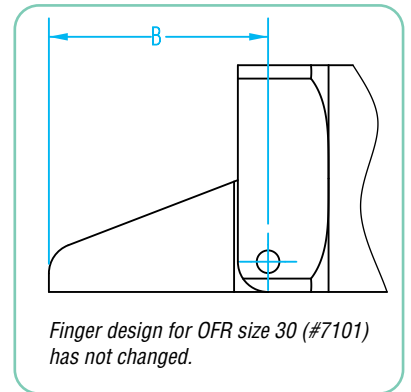
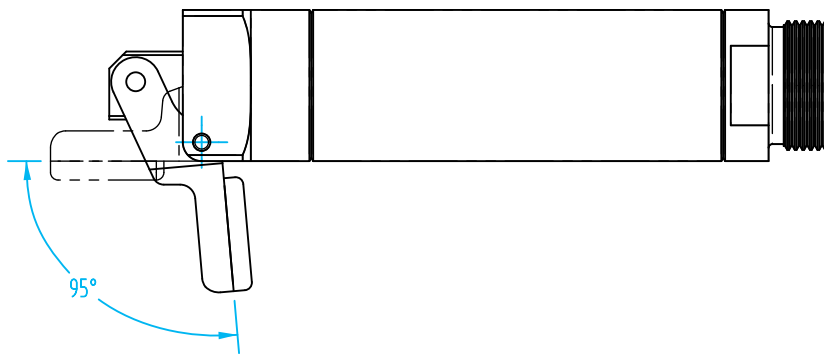
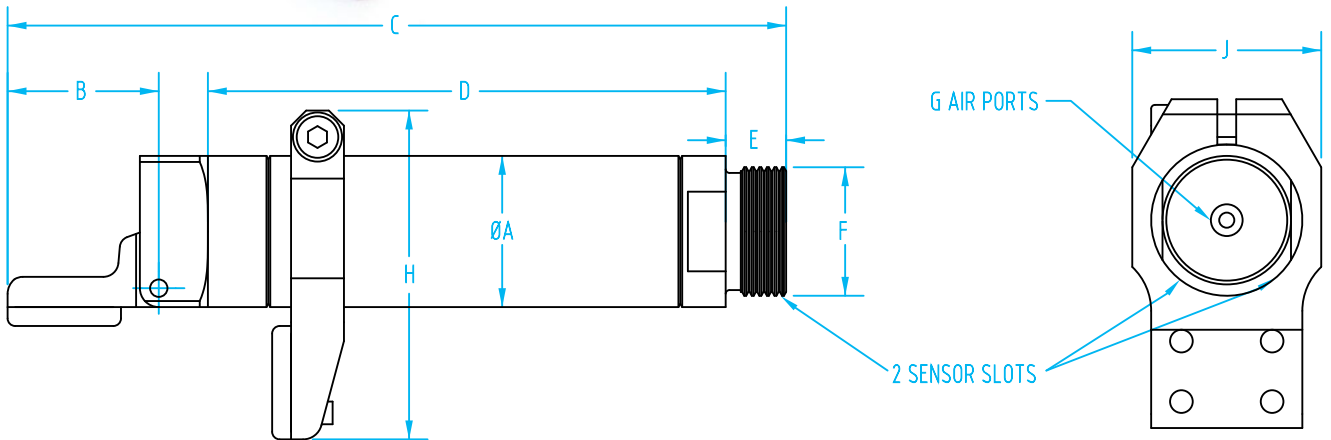
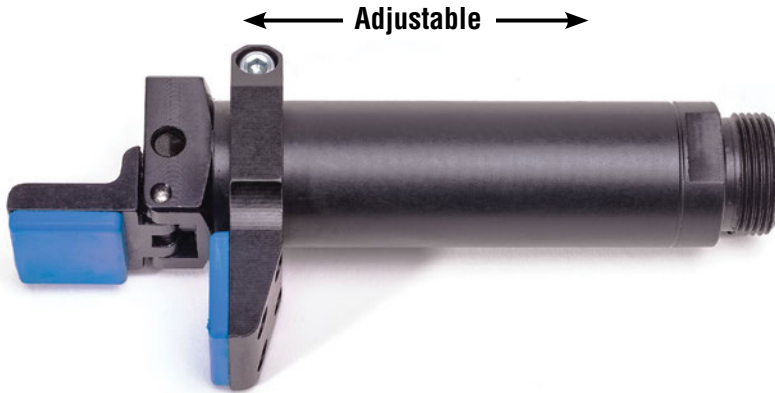
Quick#	Part#	Price	Stroke	ØA	B	C	D	E	F	G	H	J	Closing force*	Weight
7102	OFR20-95SG	\$307.00	95°	20	20	117.5	83	8	M17x1	M5	43.5	25	16 lbf	100g
7103	OFR30-95SG	\$356.00	95°	30	29	173	125	11	M27x1	M5	63	37	68 lbf	300g
Order sensors separately													<i>*Note: Force at 87psi (6 bar)</i>	
1882	SS4N225G	\$27.20	PNP sensor		3-wire with lead, 2.5m long								6-24v dc	
6282	SS3N203G	\$31.16	PNP sensor		3-wire with M8 male connector, 0.3m long								6-24v dc	
1883	SS4M225G	\$27.20	NPN sensor		3-wire with lead, 2.5m long								6-24v dc	
1884	SS3M203G	\$31.16	NPN sensor		3-wire with M8 male connector, 0.3m long								6-24v dc	

Use Quick#s for easy online ordering.

95° Gripper Fingers with Grip Pads (Standard type)

The gripper body is now all one metal piece, providing a longer service life better performance!

- Plastic molded plug on the top seals the gripper creating a reduced risk of external parts and debris entering the gripper
- New design includes a stronger, safer all metal piston
- Grooved pivot pin for improved reliability.



OFR - 95° Gripper Finger with HNBR Pads (Non-Sensor Slot Version)

Quick#	Part#	Price	Stroke	ØA	B	C	D	E	F	G	H	J	Closing force*	Weight
7117	OFR14-95G	\$248.00	95°	14	14	72	45.5	5.5	M12x1	M5	32	19	4 lbf	30g
7100	OFR20-95G	\$253.00	95°	20	20	103	68.5	8	M17x1	M5	43.5	25	16 lbf	80g
7101	OFR30-95G	\$293.00	95°	30	29	148	100	11	M27x1	M5	63	37	68 lbf	230g

*Note: Force at 87psi (6 bar)