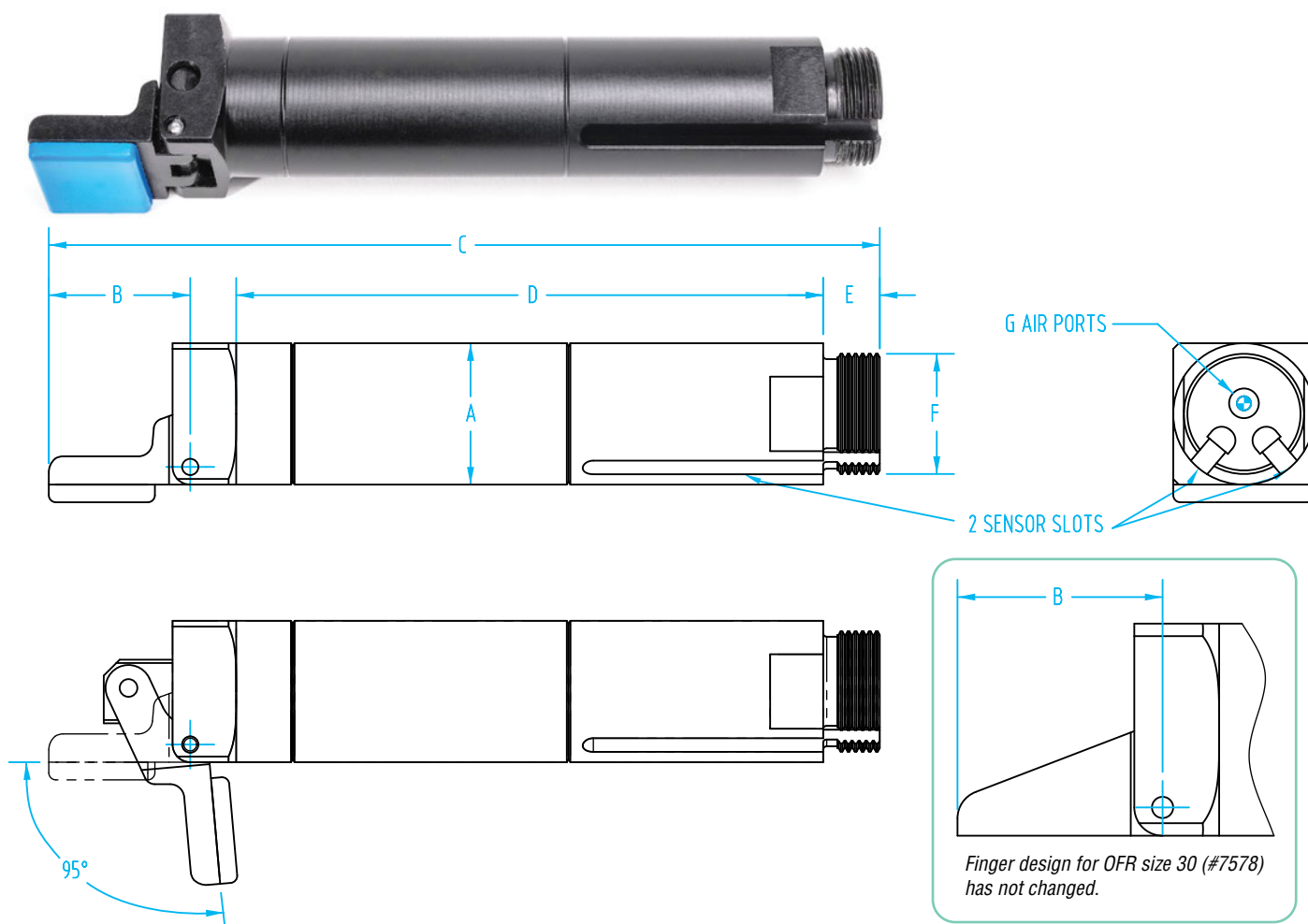


## 95° Gripper Finger with Grip Pad (Sensor type)

- Single acting
- Longer bodies provide extended reach.
- Sensors are slightly recessed, so mounting clamps can be placed along the full length of the body.
- Provides operation with or without sensors.
- Replaceable HNBR soft touch grip, non-marring pads have a 302°F max temp.
- Gripper fingers work with guides and extensions, see page 526.
- Sensor Slot version features two sensor slots to provide confirmation of the finger position.



OFR - 95° Gripper Finger (Sensor Slot Version)

Quick#	Part#	Price	ØA	B	C	D	E	F	G	Stroke	Closing force*	Wt.
7576	OFR20-95SM	\$286.00	20	20	117.5	83	8	M17x1	M5	95°	16 lbf	81g
7578	OFR30-95SM	\$269.00	30	29	173	125	11	M27x1	M5	95°	68 lbf	257g

**NEW**

Order sensors separately

\*Note: Force at 87psi (6 bar)

1882	SS4N225G	\$27.20	PNP sensor	3-wire with lead, 2.5m long							6-24v dc
6282	SS3N203G	\$31.16	PNP sensor	3-wire with M8 male connector, 0.3m long							6-24v dc
1883	SS4M225G	\$27.20	NPN sensor	3-wire with lead, 2.5m long							6-24v dc
1884	SS3M203G	\$31.16	NPN sensor	3-wire with M8 male connector, 0.3m long							6-24v dc

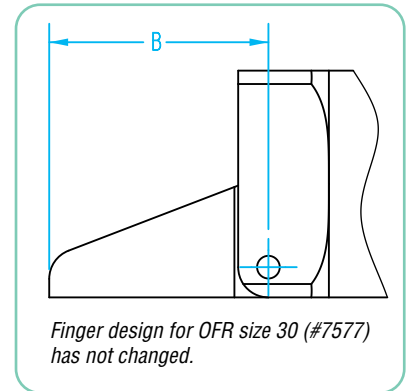
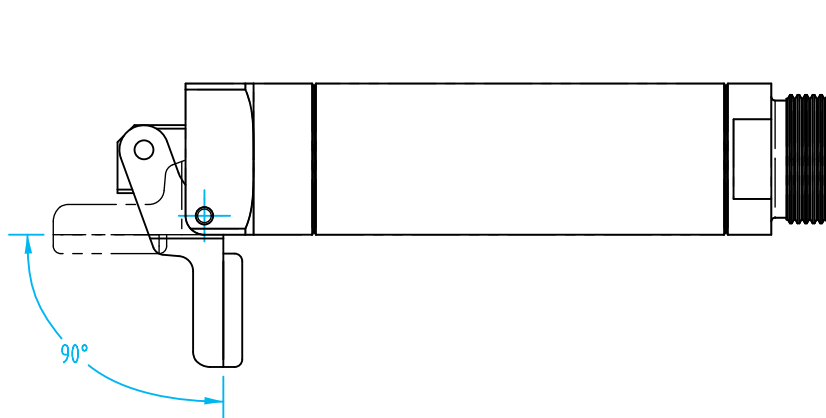
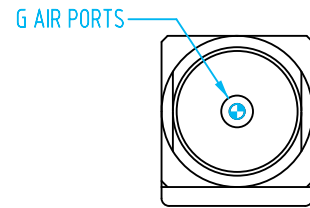
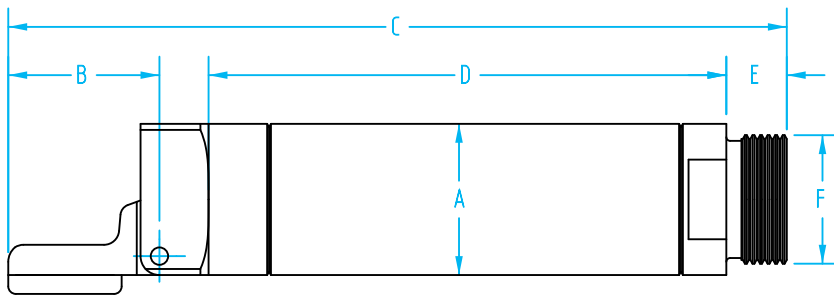
## 95° Gripper Finger with Grip Pad (Standard type)

**The gripper body is now all one metal piece, providing a longer service life better performance!**

- Plastic molded plug on the top seals the gripper creating a reduced risk of external parts and debris entering the gripper
- New design includes a stronger, safer all metal piston
- Grooved pivot pin for improved reliability.



*New gripper guide with part detection by Gimatic C-slot sensors on page 528.*



**OFR - 95° Gripper Finger (Non-Sensor Slot Version)**

Quick#	Part#	Price	ØA	B	C	D	E	F	G	Stroke	Closing force*	Wt.
7574	OFR14-95M	\$205.00	14	14	72	45.5	5.5	M12x1	M5	95°	4 lbf	25g
7575	OFR20-95M	\$219.00	20	20	103	68.5	8	M17x1	M5	95°	16 lbf	60g
7577	OFR30-95M	\$238.00	30	29	148	100	11	M27x1	M5	95°	68 lbf	193g

**NEW**

\*Note: Force at 87psi (6 bar)