

Gimatic Nippers – Sensor Version



These Gimatic® nippers have all the features and quality of the Gimatic nippers on the following page, with the additional feature of being capable of providing sensor feedback. These have been specifically designed for robotic EOAT applications to provide the confirmation you need for reliable, unattended automation.

Full list of Replacement Parts found online, search by Quick#. Service Kits for Gimatic Nippers found on page 959.

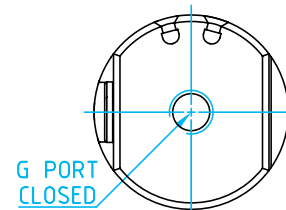
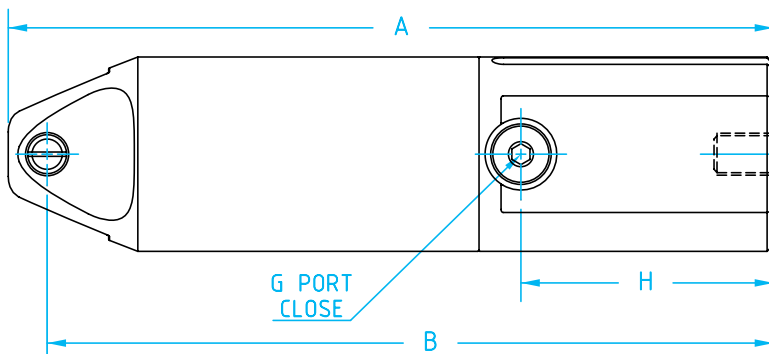
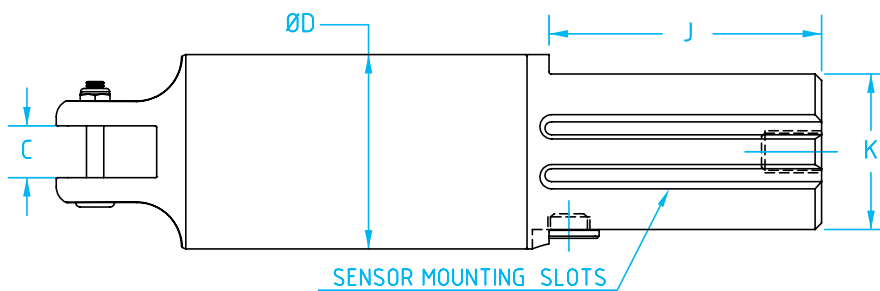
Nippers with Sensor Slots - (Order blades and sensors separately)

Quick#	Part#	Price	Sprue Ø Cut	A	B	C	ØD	G	H	J	K	Cutting Pressure*	Air Consumption	Wt.
1901	GSN-GN-05S	\$193.00	2mm	118	111	7	30	G1/8"	34	40	24	259 lbf	0.85 in ³	125g
1903	GSN-GN-10S	\$206.00	4mm	144	137	12	36	G1/8"	41	46	30	611 lbf	1.53 in ³	210g
1905	GSN-GN-20S	\$237.00	7mm	177	168	12	45	G1/8"	58	63	36	988 lbf	4.76 in ³	360g
1907	GSN-GN-30S	\$251.00	10mm	230	220	17	56	G1/8"	75	80	46	1,327 lbf	10.37 in ³	670g
1909	GSN-GN-50S	\$543.00	12mm	238	229	17	75	G1/8"	70	75	70	1,026 lbf	16.42 in ³	1100g

Order sensors separately * Force when compressed air is supplied at 87psi.

1882	SS4N225G	\$27.20	PNP	3-wire SS Style with 2.5m lead, 6–24vdc										
6282	SS3N203G	\$31.16	PNP	3-wire SS Style with 0.3m lead and M8 connector*, 6–24vdc										
1883	SS4M225G	\$27.20	NPN	3-wire SS Style with 2.5m lead, 6–24vdc										
1884	SS3M203G	\$31.16	NPN	3-wire SS Style with 0.3m lead and M8 connector*, 6–24vdc										

(* M8 Extension cables Quick#'s 2582 & 2583 available on page 987



Order blades on pages 858–902.

Gimatic Nippers – Non-Sensor Version



Gimatic applies their pneumatic technology in grippers to make nipper bodies for plastic degating applications. The Gimatic GN series round body nippers have higher cutting force ratings compared to similarly sized units. This means a smaller nipper can often be applied minimizing space, weight, and cost.

Full list of Replacement Parts found online, search by Quick#. Service Kits for Gimatic Nippers found on page 959.



Fittings Available on page 1043

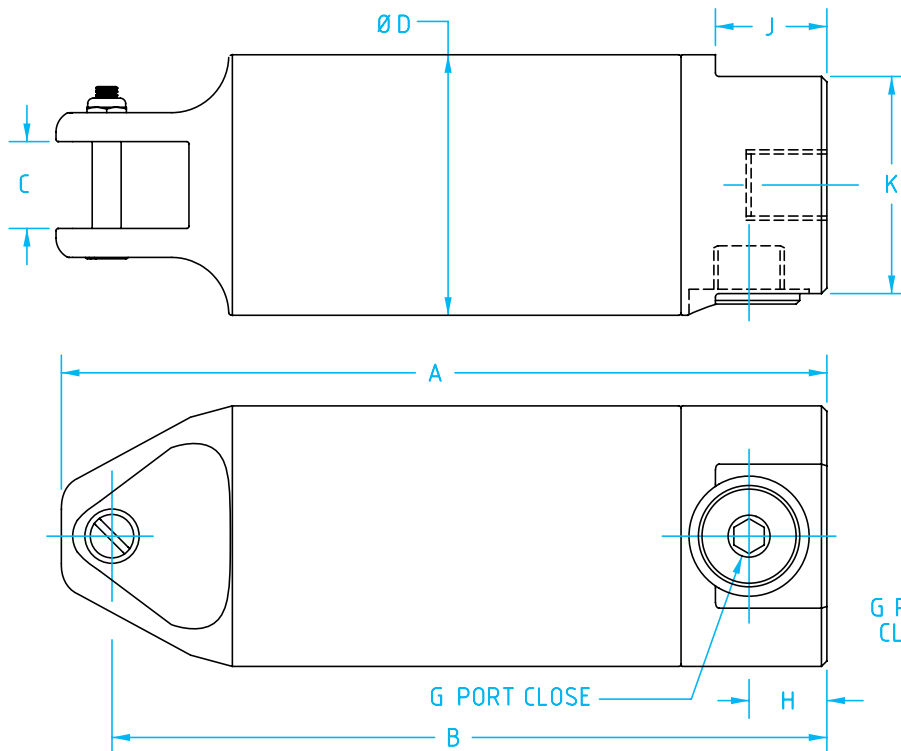


Nippers - (Order blades separately)

Quick#	Part#	Price	Sprue Ø Cut	A	B	C	ØD	G	H	J	K	Cutting Pressure*	Air Consumption	Wt.
1900	GSN-GN-05	\$177.00	2mm	94	87	7	30	G1/8"	11	15	24	259 lbf	0.85 in ³	103g
1902	GSN-GN-10	\$182.00	4mm	113	106	12	36	G1/8"	11	15	30	611 lbf	1.53 in ³	158g
1904	GSN-GN-20	\$192.00	7mm	129	120	12	45	G1/8"	11	15	36	988 lbf	4.76 in ³	264g
1906	GSN-GN-30	\$203.00	10mm	165	155	17	56	G1/8"	11	15	46	1,327 lbf	10.37 in ³	476g
1908	GSN-GN-50	\$473.00	12mm	178	169	17	75	G1/8"	11	15	70	1,026 lbf	16.42 in ³	1099g

* Force when compressed air is supplied at 87psi.

Use Quick#s for easy online ordering.



Order blades on pages 858-902.

