

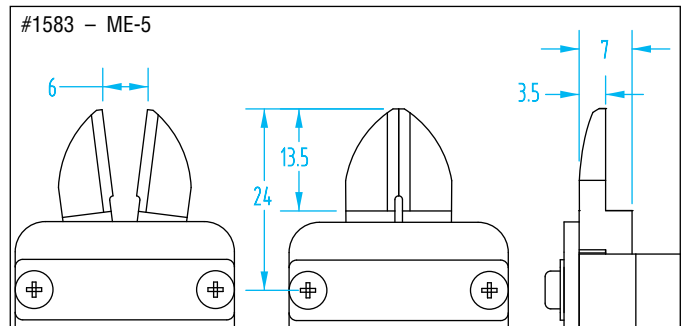
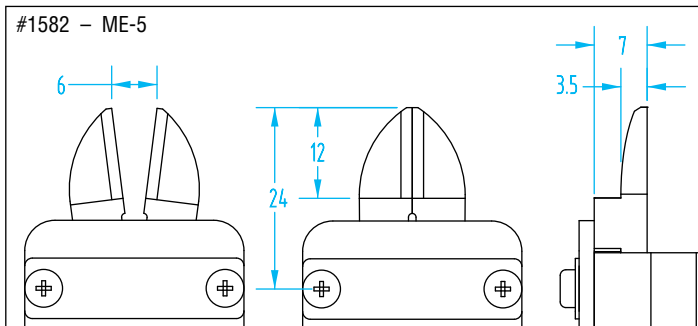
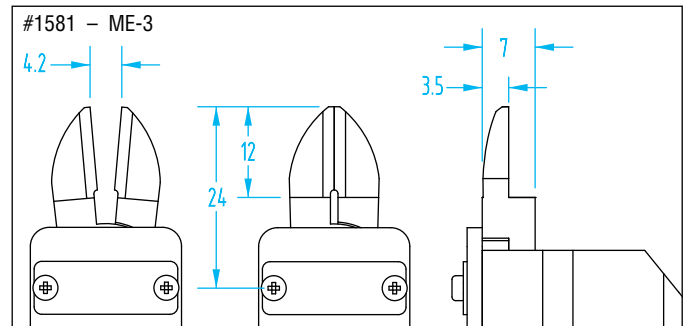
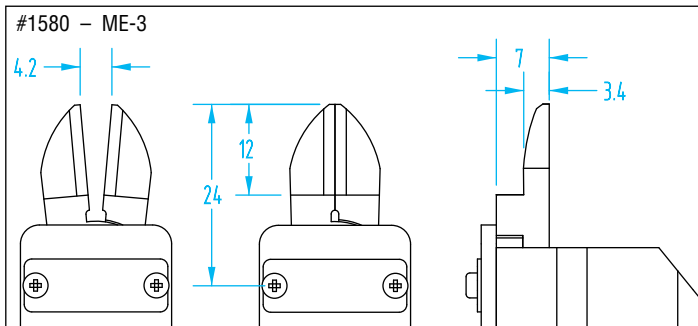
# ME – Blades

## Standard Blades

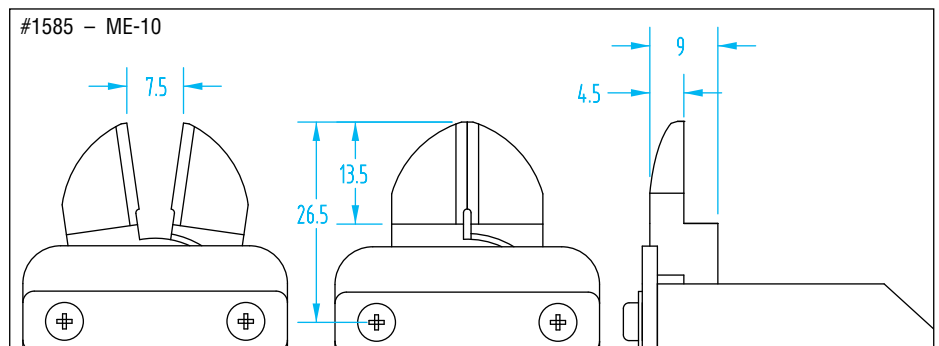
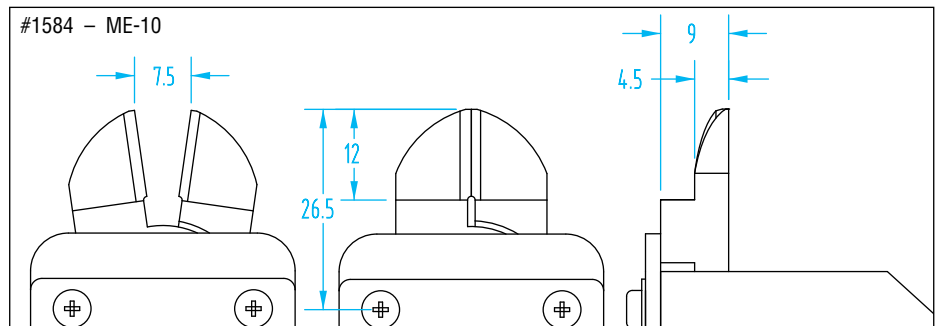


### Blades for ME nippers

| Quick# | Part#     | Nipper body | Blade style | Price    |
|--------|-----------|-------------|-------------|----------|
| 1580   | GSN-F10E  | ME-3        | Standard    | \$63.50  |
| 1581   | GSN-F10EK |             | Offset      | \$72.00  |
| 1582   | GSN-F1E   | ME-5        | Standard    | \$63.50  |
| 1583   | GSN-F1EK  |             | Offset      | \$63.50  |
| 1584   | GSN-F3E   | ME-10       | Standard    | \$63.50  |
| 1585   | GSN-F3EK  |             | Offset      | \$63.50  |
| 1586   | GSN-F5E   | ME-20       | Standard    | \$76.00  |
| 1587   | GSN-F5EK  |             | Offset      | \$76.00  |
| 1588   | GSN-F9E   | ME-30       | Standard    | \$104.00 |
| 1589   | GSN-F9EK  |             | Offset      | \$147.50 |



Each of these blades may be installed in the nippers either standard or reversed. This gives you four blade configurations from the two styles of blades. Note, the F\_E, and F\_EK blades are for use only with ME-style nippers.



ME – Blades

