

Size 30 Blades

Blade	Part#	Price	Style	Brand	Page	#2056 Blade Cover Compatibility	Nipper Body					Wt.
							Vessel 30	Gimatic 30	Swanstrom 30	Nile 30	OEM 30	
							Tip to Tip Opening (mm) *					
612	GSN-N30-AP	\$128.00	Std. Angle	Vessel	881	✓	20	19	19	18.5	19	358g
1012	X-30ST	\$124.00	Std. Angle	Swanstrom	881	✓	15	12.5	18	15	12.5	374g
5033	GN30AP	\$131.00	Std. Angle	Gimatic	882	✓	19	18	18.5	18	18	382g
1572	GSN-F9P	\$101.50	Std. Angle	Nile	882	✓	17.5	16.5	17	16	16.5	410g
1573	GSN-FD9P	\$106.50	Deep Angle	Nile	884	✓	14	14	15	14	14	410g
613	GSN-N30-PF	\$132.00	Deep Angle	Vessel	883	✓	16	15.5	16	16	15.5	376g
1013	X-30-DA	\$124.00	Deep Angle	Swanstrom	883	✓	12.5	12	17.5	13.5	12	388g
5034	GN30PF	\$137.00	Deep Angle	Gimatic	884	✓	16	16	15	15.5	16	386g
697	GSN-N30-AA	\$423.00	Deep, Long	Vessel	885	✗	22	21.5	23	22	21.5	372g
1097	X-30-LA	\$212.00	Deep, Long	Swanstrom	885	✗	18.5	15.5	23	17.5	15.5	378g
1026	X-30-DA75	\$355.00	Extra Deep	Swanstrom	886	✗	11.5	11.5	15	11	11.5	416g
1027	X-30-DA90	\$356.00	Extra Deep	Swanstrom	886	✗	10	8.5	11	9.5	8.5	432g
614	GSN-N30-AJL	\$188.00	Inline	Vessel	888	✓	21.5	21	21	20.5	21	470g
1014	X-30-LI	\$172.00	Inline	Swanstrom	888	✓	19	18.5	22.5	18	18.5	464g
1047	X-30-SI	\$124.00	Inline	Swanstrom	891	✓	12.5	12.5	15	14.5	12.5	365g
5032	GN30AJ	\$144.00	Inline	Gimatic	889	✓	11	10.5	11	11.5	10.5	368g
1574	GSN-F9PS	\$101.50	Inline	Nile	889	✓	16.5	16	17	16	16	404g
1041	X-30-OS	\$446.00	Offset	Swanstrom	890	✗	17.5	13.5	16.5	17.5	13.5	494g
1042	X-30-OR	\$482.00	Offset	Swanstrom	890	✗	18	14	16.5	18.5	14	494g
615	GSN-N30-AE	\$144.00	Perpendicular	Vessel	887	✓	12.5	12.5	12	12	12.5	386g
1015	X-30-PE	\$135.00	Perpendicular	Swanstrom	887	✓	10	8	13.5	10.5	8	374g

**Note: Tip-to-tip opening dimensions are approximate and can vary from blade to blade because blades are hand finished. Carbide and Custom blades are available, call EMI.*

Gimatic Blade Covers:

- Gimatic blades include protective blade covers, if you need additional covers they are listed here.
- Cover snaps into profile for storage, and ring can be used for zip-ties.



Gimatic Size 30 & 50 Blade Covers

Quick#	Part#	Price
6087	COJ30	\$2.59

Universal Blade Covers:

- Provides protection without compressing the nipper blade's spring.
- See reference chart above for compatibility.

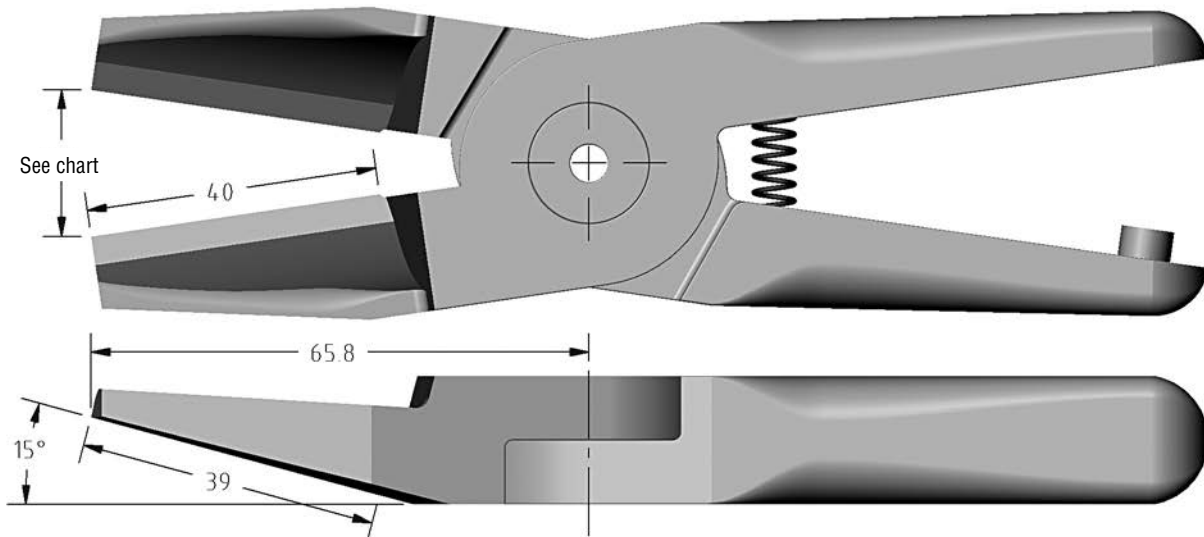


Universal Size 30 Blade Covers

Quick#	Part#	Price
2056	GSN-BC-30	\$14.98

Size 30 Blades

(Dimensioned drawings shown full scale)

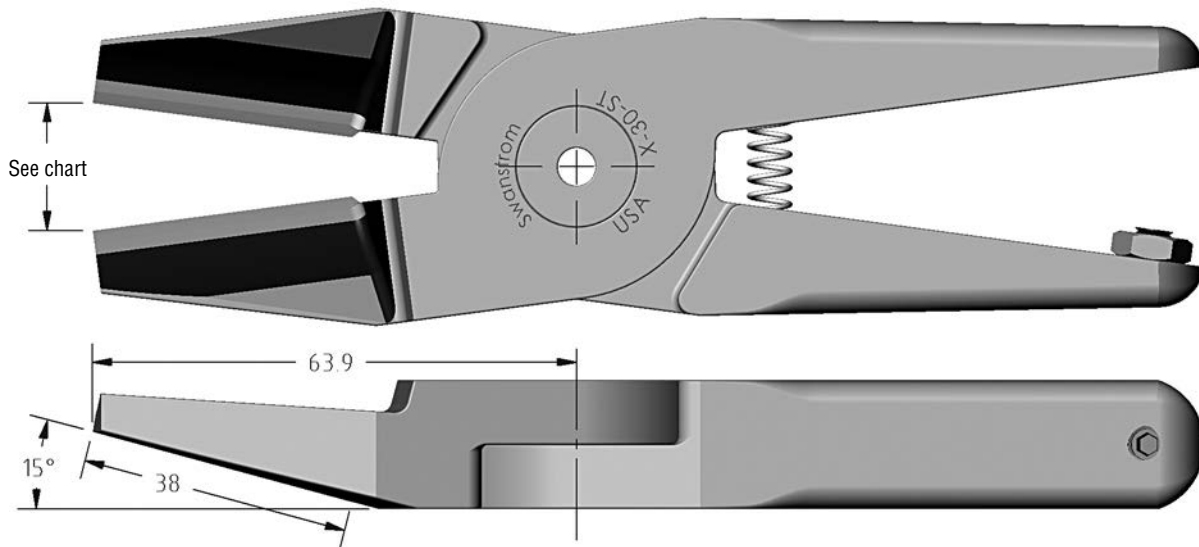


Vessel

Quick#	Part#	Price	Ø Sprue	Wt.
612	GSN-N30-AP	\$128.00	10mm	358g
Replacement Spring				
1285	SPR-05	\$2.20		

Size 30 Nipper Body Tip to Tip Opening*

Vessel	Gimatic	Swanstrom	Nile	OEM
20mm	19mm	19mm	18.5mm	19mm



Swanstrom

Quick#	Part#	Price	Ø Sprue	Wt.
1012	X-30-ST	\$124.00	9mm	374g
Replacement Spring				
1043	GSN-SP-031	\$2.60		

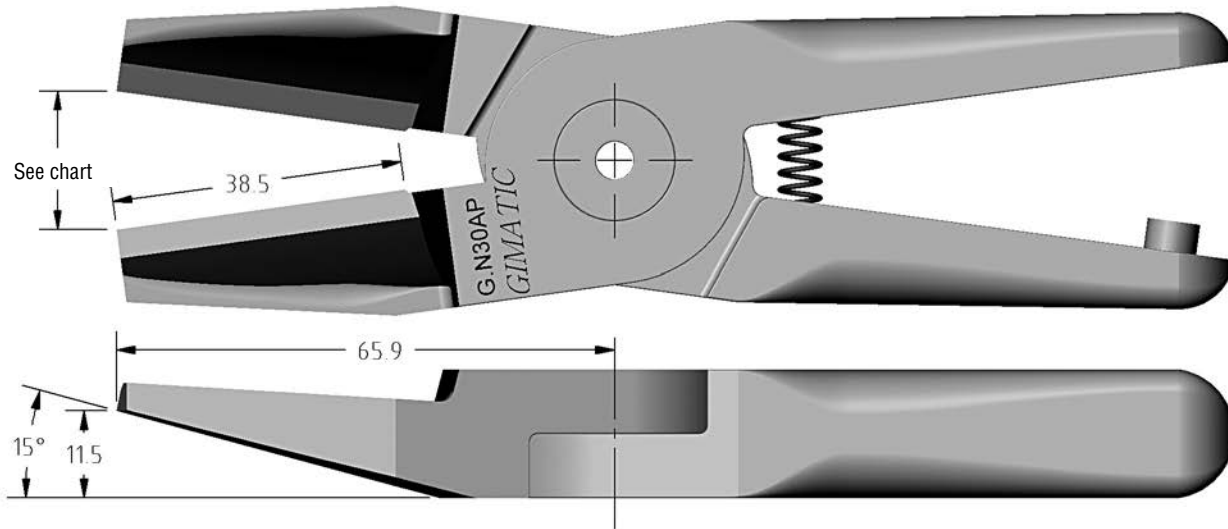
Size 30 Nipper Body Tip to Tip Opening*

Vessel	Gimatic	Swanstrom	Nile	OEM
15mm	12.5mm	18mm	15mm	12.5mm

Use Quick#s for easy online ordering.

Size 30 Blades

(Dimensioned drawings shown full scale)

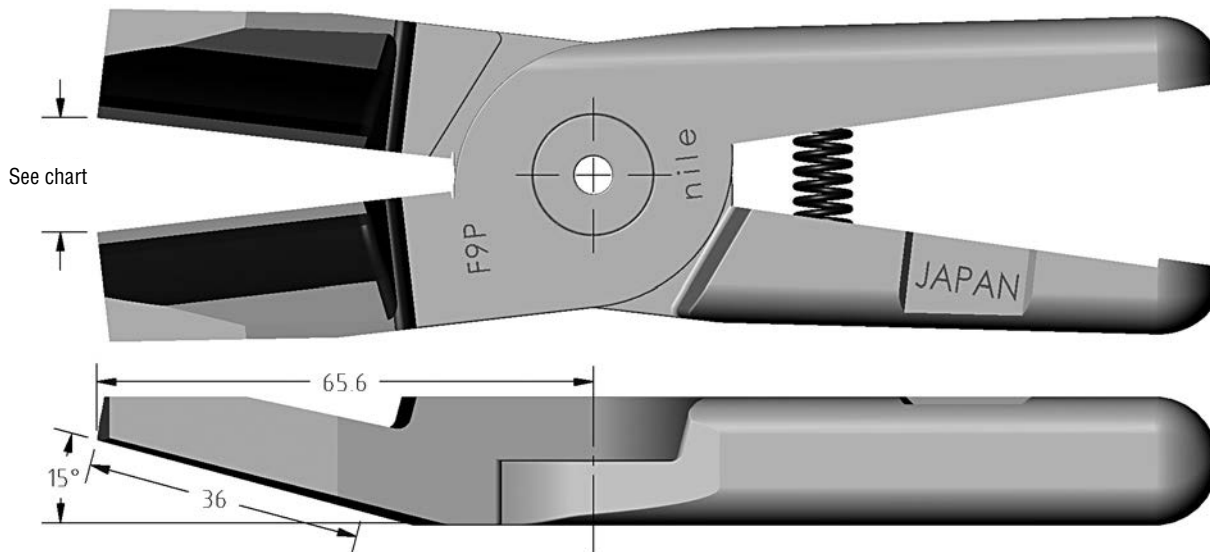


Gimatic

Quick#	Part#	Price	Ø Sprue	Wt.
5033	GN30AP	\$131.00	10mm	382g
Replacement Spring				
1285	SPR-05	\$2.20		

Size 30 Nipper Body Tip to Tip Opening*

Vessel	Gimatic	Swanstrom	Nile	OEM
19mm	18mm	18.5mm	18mm	18mm



Nile

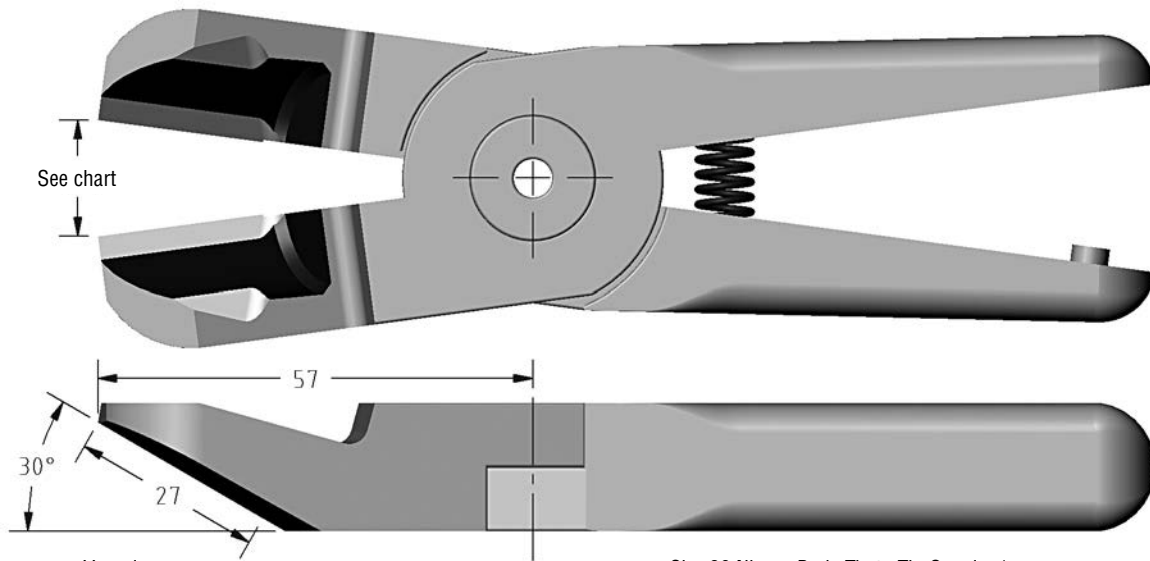
Quick#	Part#	Price	Ø Sprue	Wt.
1572	GSN-F9P	\$101.50	7mm	410g
Replacement Spring				
2301	855-3090	\$2.09		

Size 30 Nipper Body Tip to Tip Opening*

Vessel	Gimatic	Swanstrom	Nile	OEM
17.5mm	16.5mm	17mm	16mm	16.5mm

Size 30 Blades

(Dimensioned drawings shown full scale)

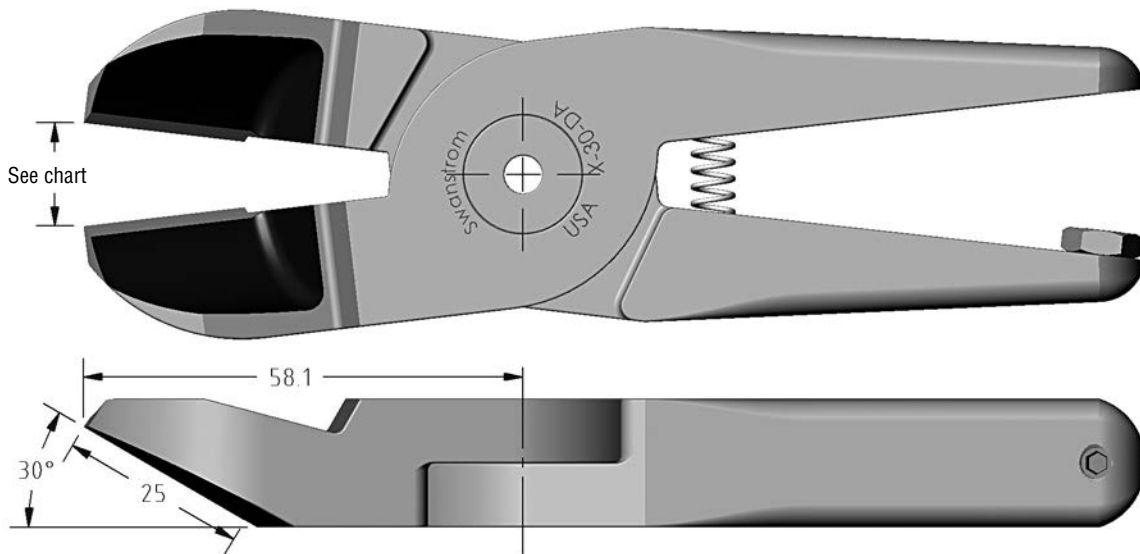


Vessel

Quick#	Part#	Price	Ø Sprue	Wt.
613	GSN-N30-PF	\$132.00	8mm	376g
Replacement Spring				
1285	SPR-05	\$2.20		

Size 30 Nipper Body Tip to Tip Opening*

Vessel	Gimatic	Swanstrom	Nile	OEM
16mm	15.5mm	16mm	16mm	15.5mm



Swanstrom

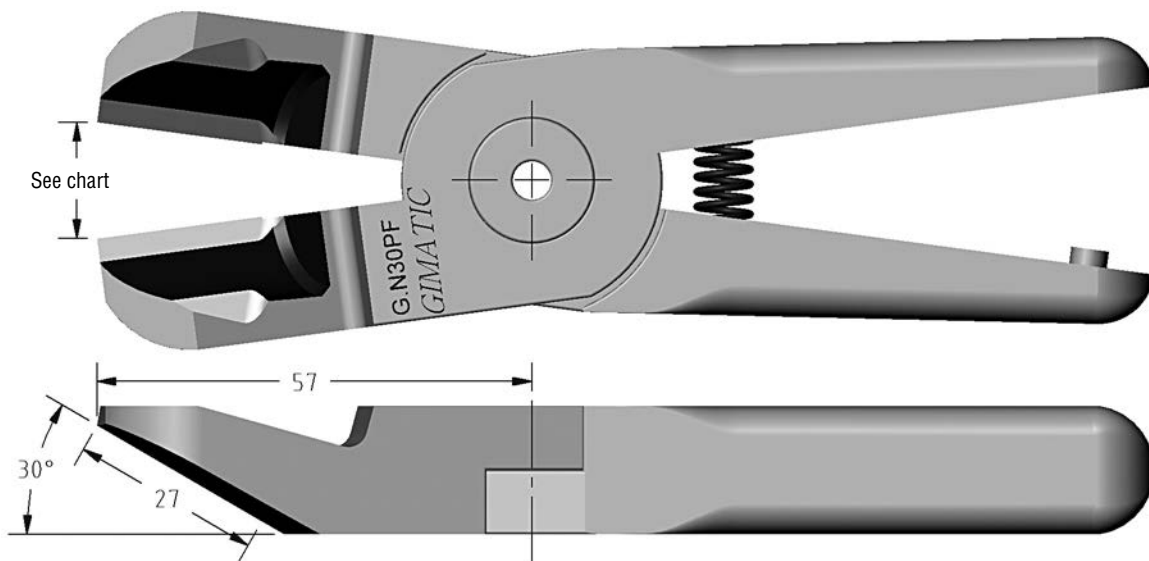
Quick#	Part#	Price	Ø Sprue	Wt.
1013	X-30-DA	\$124.00	8mm	388g
Replacement Spring				
1285	SPR-05	\$2.20		

Size 30 Nipper Body Tip to Tip Opening*

Vessel	Gimatic	Swanstrom	Nile	OEM
12.5mm	12mm	17.5mm	13.5mm	12mm

Size 30 Blades

(Dimensioned drawings shown full scale)

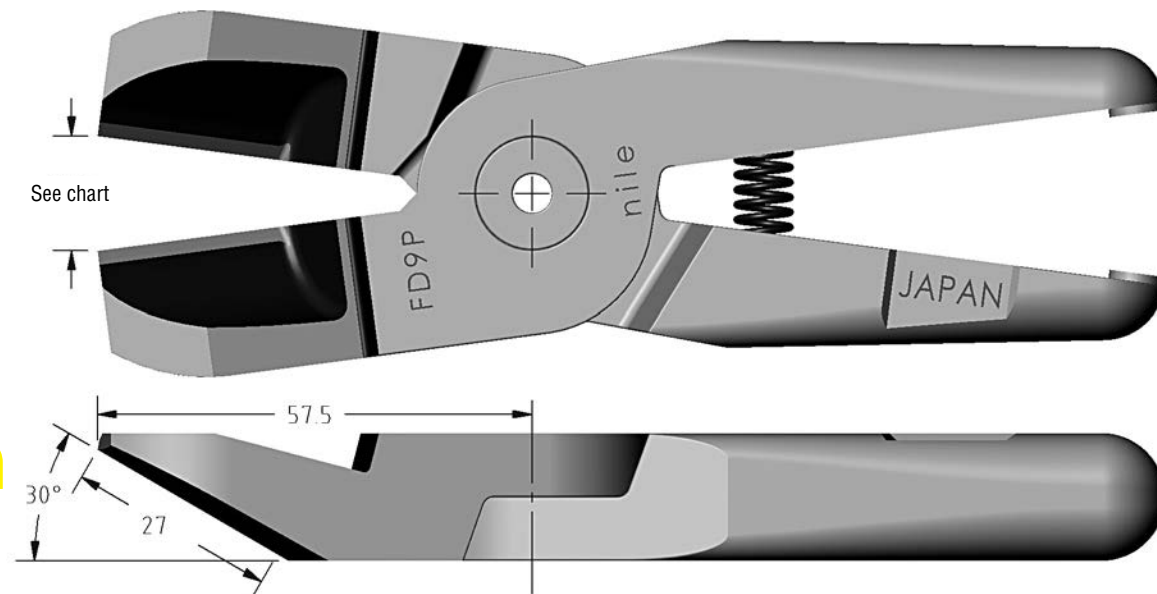


Gimatic

Quick#	Part#	Price	Ø Sprue	Wt.
5034	GN30PF	\$137.00	8mm	386g
Replacement Spring				
1285	SPR-05	\$2.20		

Size 30 Nipper Body Tip to Tip Opening*

Vessel	Gimatic	Swanstrom	Nile	OEM
16mm	16mm	15mm	15.5mm	16mm



Nile

Quick#	Part#	Price	Ø Sprue	Wt.
1573	GSN-FD9P	\$106.50	8mm	410g
Replacement Spring				
2301	855-3090	\$2.09		

Size 30 Nipper Body Tip to Tip Opening*

Vessel	Gimatic	Swanstrom	Nile	OEM
14mm	14mm	15mm	14mm	14mm

Size 30 Blades

(Dimensioned drawings shown full scale)

See chart

75

30°

51

Vessel				
Quick#	Part#	Price	Ø Sprue	Wt.
697	GSN-N30-AA	\$423.00	11mm	372g
Replacement Spring				
1285	SPR-05	\$2.20		
Size 30 Nipper Body Tip to Tip Opening*				
Vessel	Gimatic	Swanstrom	Nile	OEM
22mm	21.5mm	23mm	22mm	21.5mm

See chart

75.9

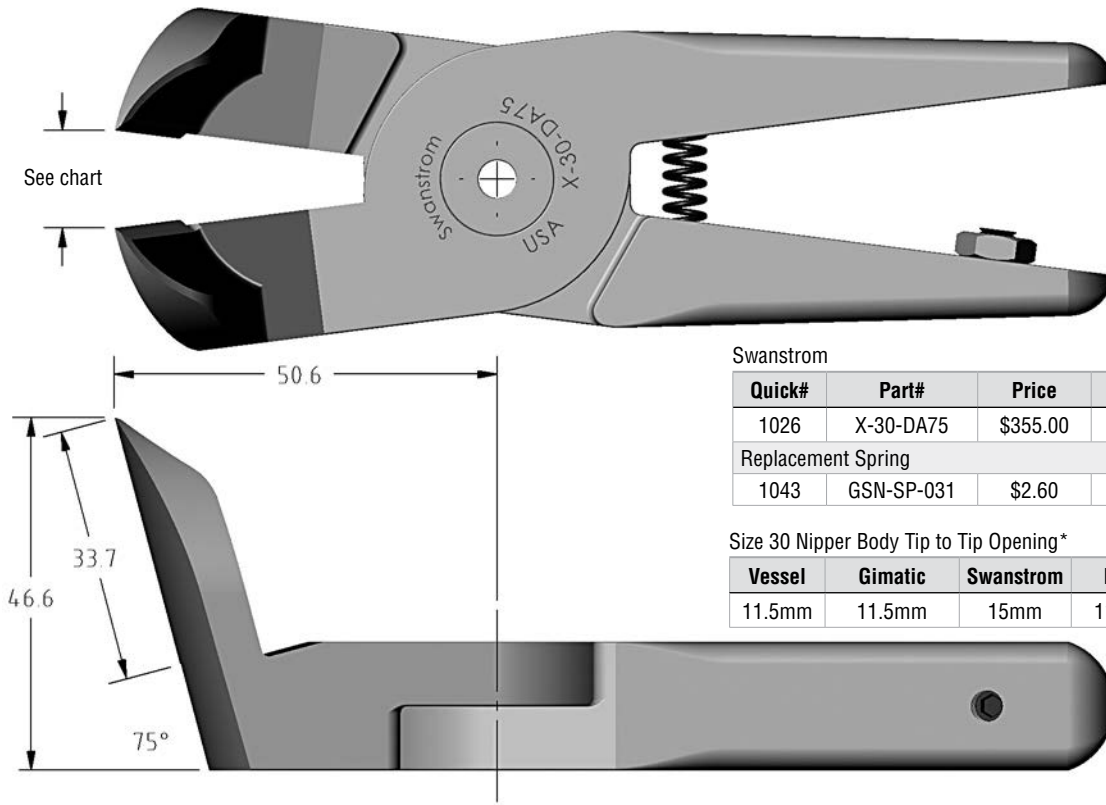
30°

53

Swanstrom				
Quick#	Part#	Price	Ø Sprue	Wt.
1097	X-30-LA	\$212.00	9mm	378g
Replacement Spring				
1043	GSN-SP-031	\$2.60		
Size 30 Nipper Body Tip to Tip Opening*				
Vessel	Gimatic	Swanstrom	Nile	OEM
18.5mm	15.5mm	23mm	17.5mm	15.5mm

Size 30 Blades

(Dimensioned drawings shown full scale)

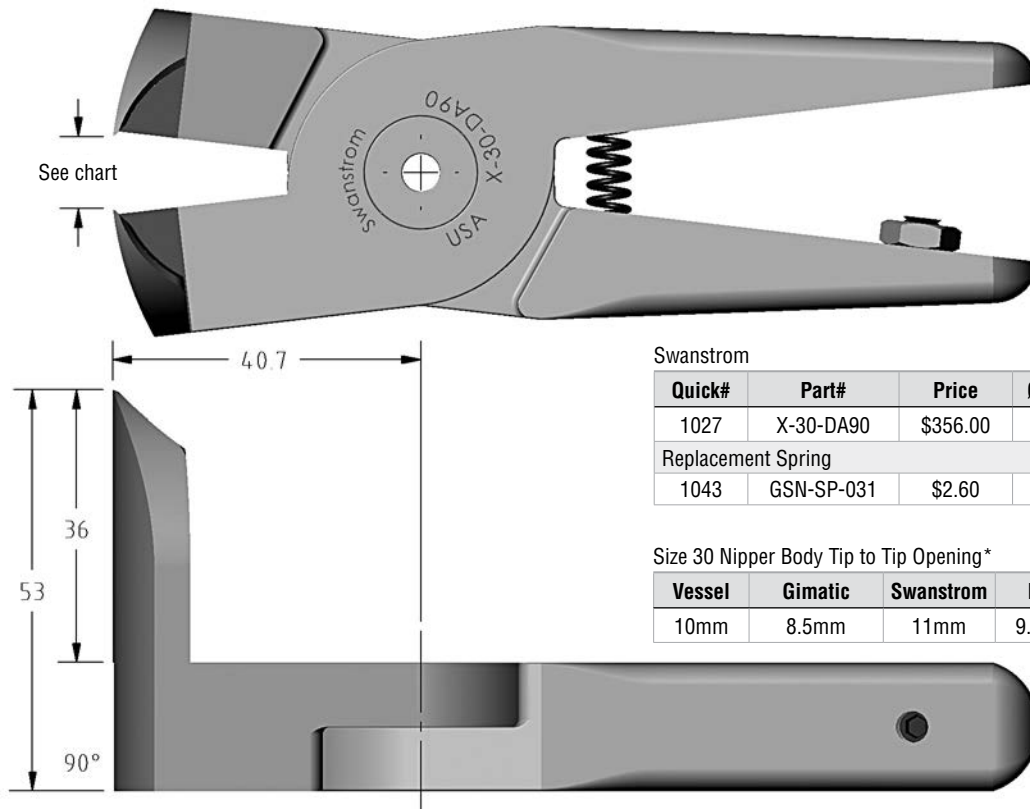


Swanstrom

Quick#	Part#	Price	Ø Sprue	Wt.
1026	X-30-DA75	\$355.00	8mm	416g
Replacement Spring				
1043	GSN-SP-031	\$2.60		

Size 30 Nipper Body Tip to Tip Opening*

Vessel	Gimatic	Swanstrom	Nile	OEM
11.5mm	11.5mm	15mm	11mm	11.5mm



Swanstrom

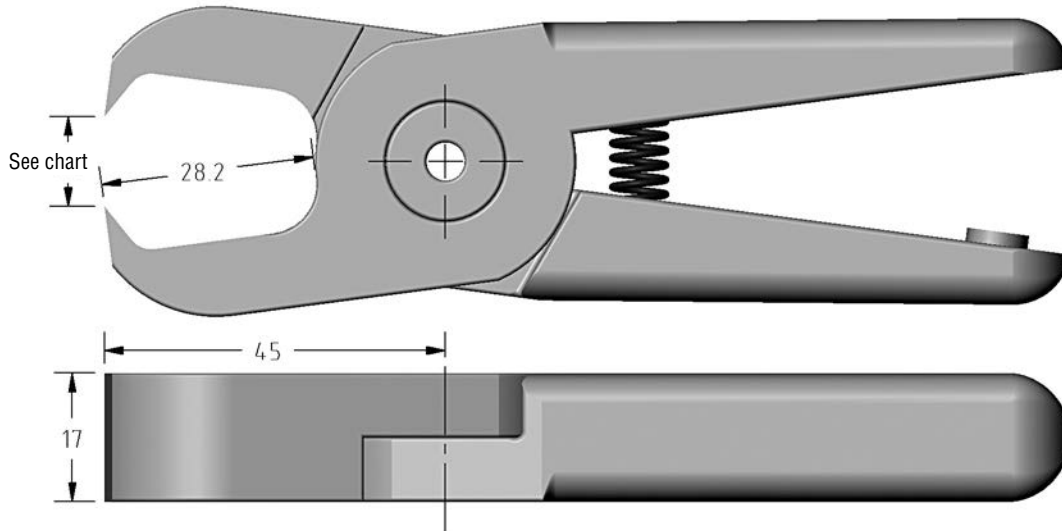
Quick#	Part#	Price	Ø Sprue	Wt.
1027	X-30-DA90	\$356.00	6mm	432g
Replacement Spring				
1043	GSN-SP-031	\$2.60		

Size 30 Nipper Body Tip to Tip Opening*

Vessel	Gimatic	Swanstrom	Nile	OEM
10mm	8.5mm	11mm	9.5mm	8.5mm

Size 30 Blades

(Dimensioned drawings shown full scale)

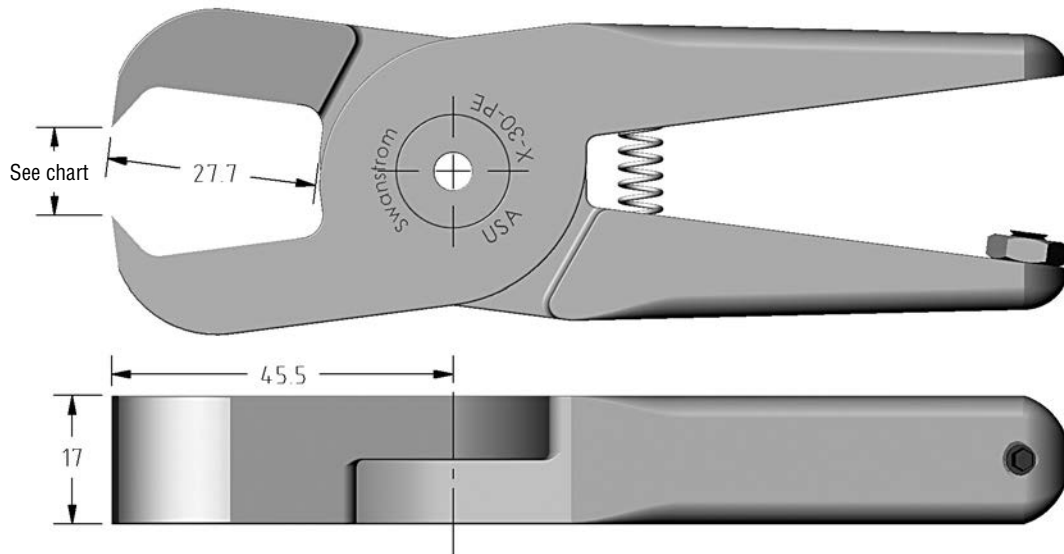


Vessel

Quick#	Part#	Price	Ø Sprue	Wt.
615	GSN-N30-AE	\$144.00	9mm	386g
Replacement Spring				
1285	SPR-05	\$2.20		

Size 30 Nipper Body Tip to Tip Opening*

Vessel	Gimatic	Swanstrom	Nile	OEM
12.5mm	12.5mm	12mm	12mm	12.5mm



Swanstrom

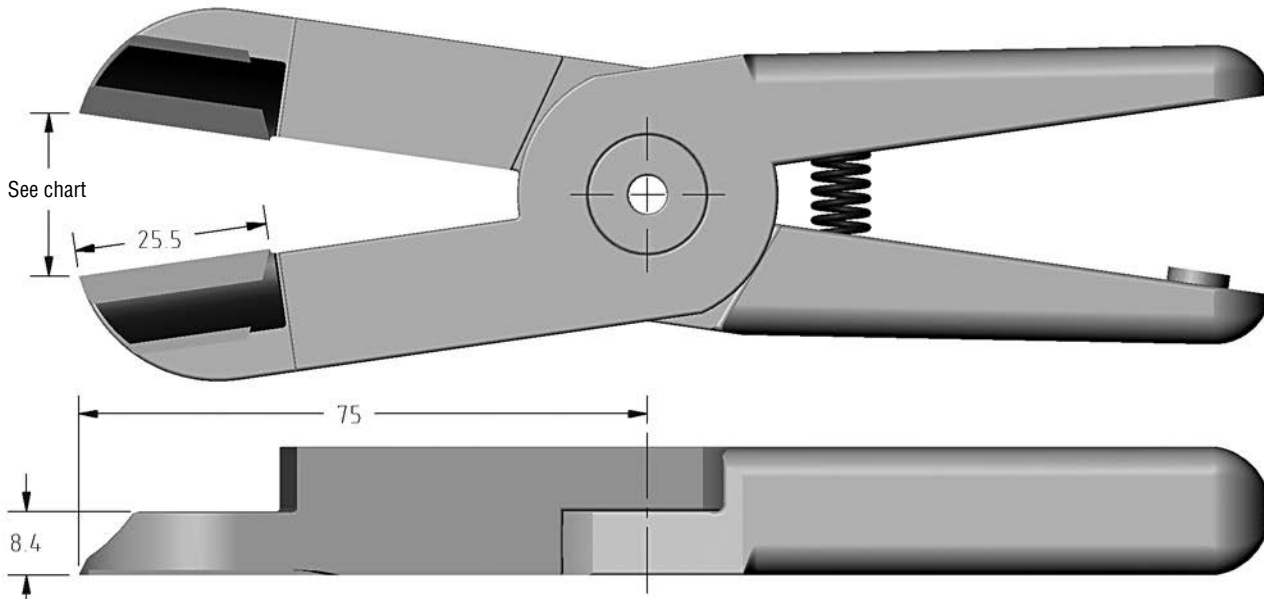
Quick#	Part#	Price	Ø Sprue	Wt.
1015	X-30-PE	\$135.00	9mm	374g
Replacement Spring				
1043	GSN-SP-031	\$2.60		

Size 30 Nipper Body Tip to Tip Opening*

Vessel	Gimatic	Swanstrom	Nile	OEM
10mm	8mm	13.5mm	10.5mm	8mm

Size 30 Blades

(Dimensioned drawings shown full scale)

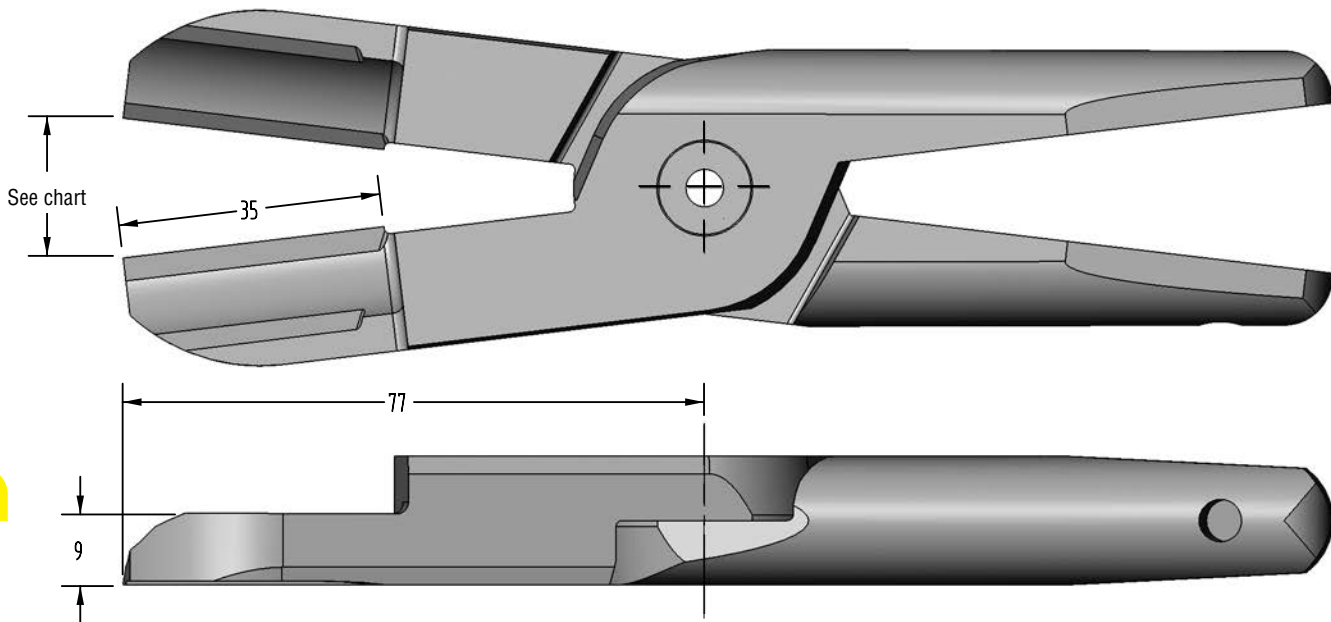


Vessel

Quick#	Part#	Price	Ø Sprue	Wt.
614	GSN-N30-AJL	\$188.00	9mm	470g
Replacement Spring				
1285	SPR-05	\$2.20		

Size 30 Nipper Body Tip to Tip Opening*

Vessel	Gimatic	Swanstrom	Nile	OEM
21.5mm	21mm	21mm	20.5mm	21mm



Swanstrom

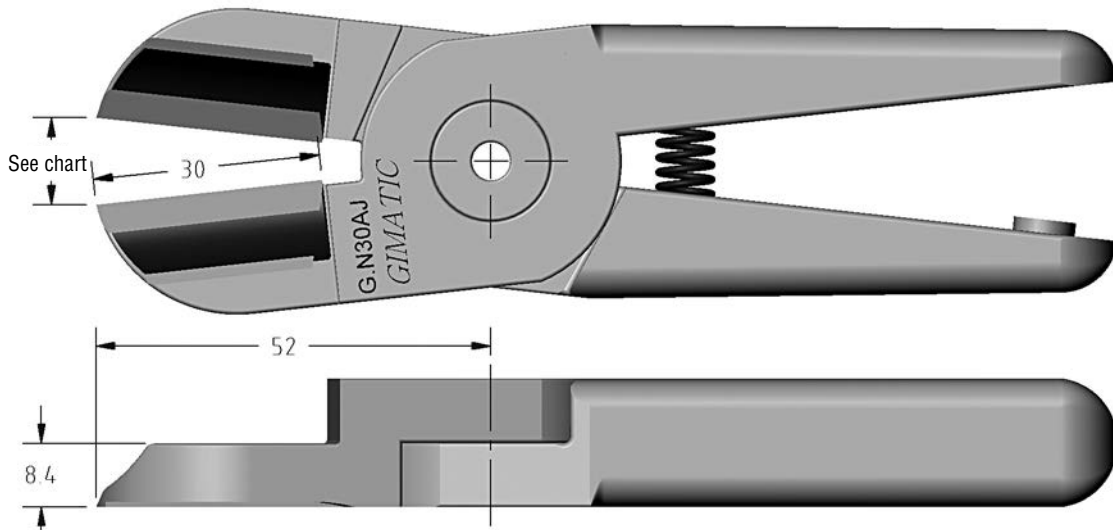
Quick#	Part#	Price	Ø Sprue	Wt.
1014	X-30-LI	\$172.00	9mm	464g
Replacement Spring				
1043	GSN-SP-031	\$2.60		

Size 30 Nipper Body Tip to Tip Opening*

Vessel	Gimatic	Swanstrom	Nile	OEM
19mm	18.5mm	22.5mm	18mm	18.5mm

Size 30 Blades

(Dimensioned drawings shown full scale)

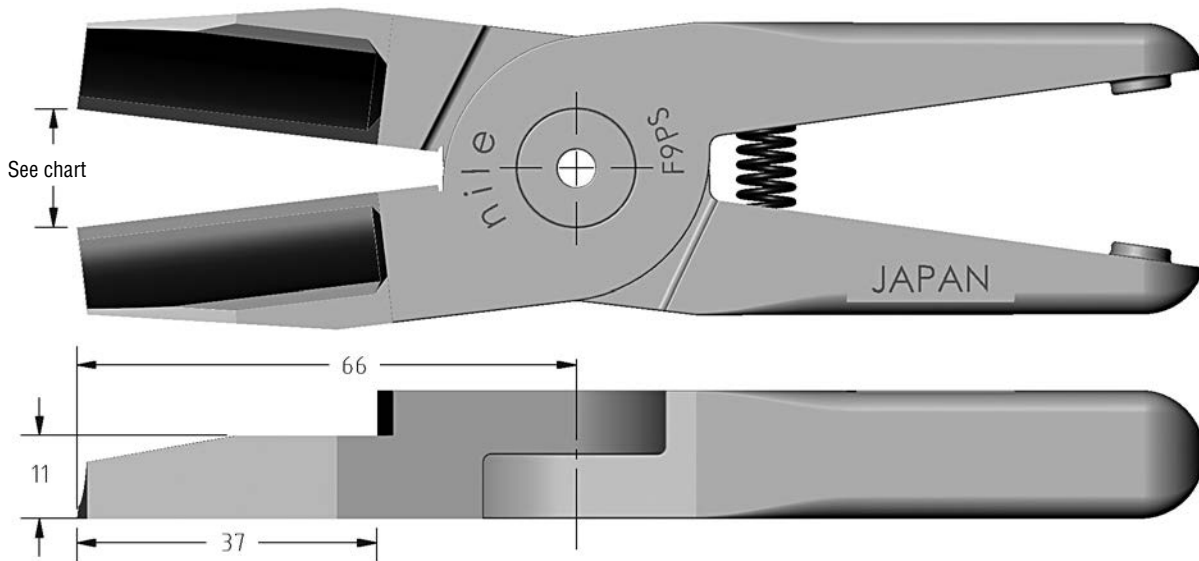


Gimatic

Quick#	Part#	Price	Ø Sprue	Wt.
5032	GN30AJ	\$144.00	6mm	368g
Replacement Spring				
1285	SPR-05	\$2.20		

Size 30 Nipper Body Tip to Tip Opening*

Vessel	Gimatic	Swanstrom	Nile	OEM
11mm	10.5mm	11mm	11.5mm	10.5mm



Nile

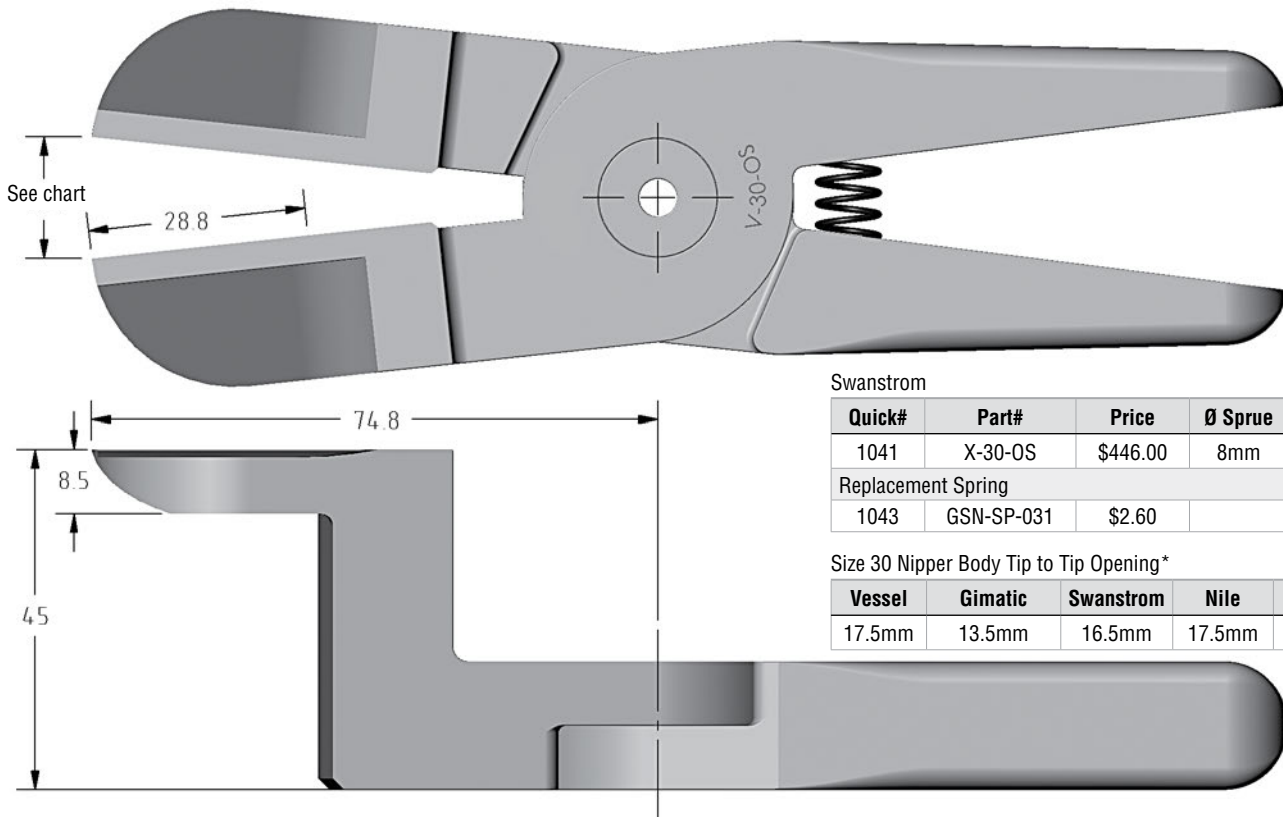
Quick#	Part#	Price	Ø Sprue	Wt.
1574	GSN-F9PS	\$101.50	7mm	404g
Replacement Spring				
2301	855-3090	\$2.09		

Size 30 Nipper Body Tip to Tip Opening*

Vessel	Gimatic	Swanstrom	Nile	OEM
16.5mm	16mm	17mm	16mm	16mm

Size 30 Blades

(Dimensioned drawings shown full scale)

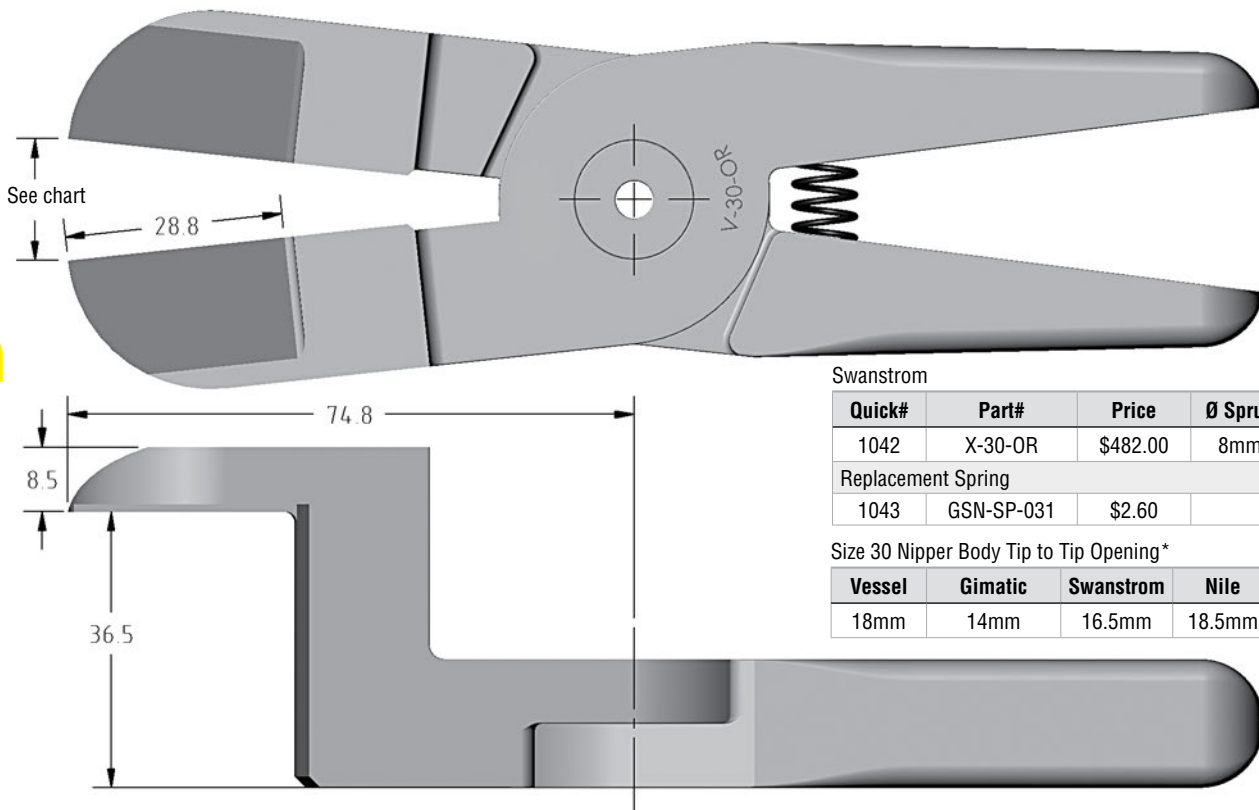


Swanstrom

Quick#	Part#	Price	Ø Sprue	Wt.
1041	X-30-OS	\$446.00	8mm	494g
Replacement Spring				
1043	GSN-SP-031	\$2.60		

Size 30 Nipper Body Tip to Tip Opening*

Vessel	Gimatic	Swanstrom	Nile	OEM
17.5mm	13.5mm	16.5mm	17.5mm	13.5mm



Swanstrom

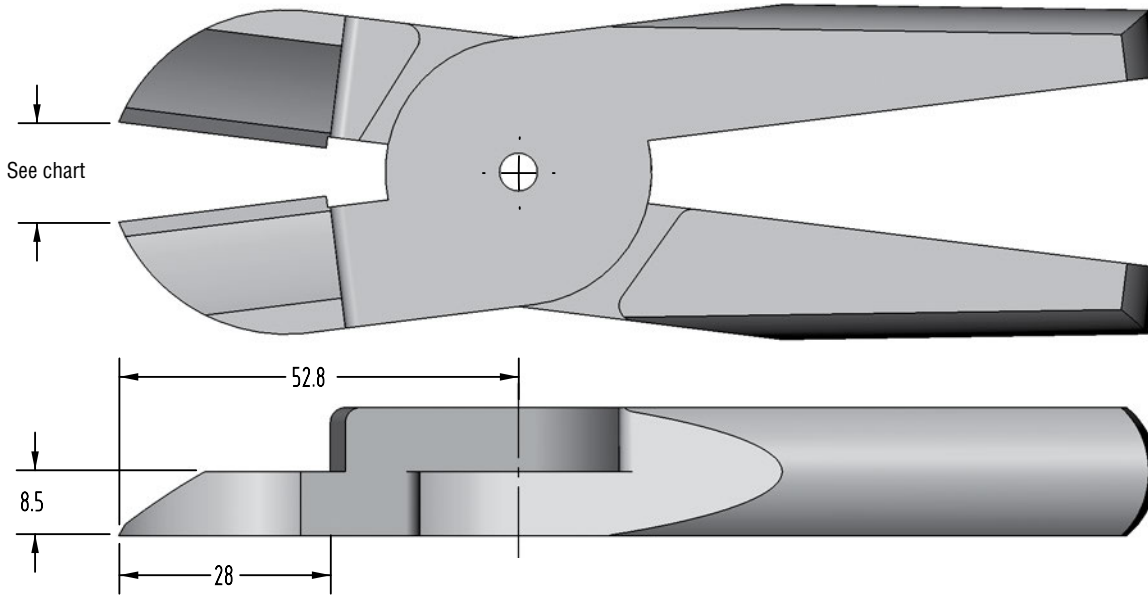
Quick#	Part#	Price	Ø Sprue	Wt.
1042	X-30-OR	\$482.00	8mm	494g
Replacement Spring				
1043	GSN-SP-031	\$2.60		

Size 30 Nipper Body Tip to Tip Opening*

Vessel	Gimatic	Swanstrom	Nile	OEM
18mm	14mm	16.5mm	18.5mm	14mm

Size 30 Blades

(Dimensioned drawings shown full scale)



Swanstrom

Quick#	Part#	Price	Ø Sprue	Wt.
1047	X-30-SI	\$124.00	9mm	365g
Replacement Spring				
1043	GSN-SP-031	\$2.60		

Size 30 Nipper Body Tip to Tip Opening*

Vessel	Gimatic	Swanstrom	Nile	OEM
12.5mm	12.5mm	15mm	14.5mm	12.5mm

EOAT Design and Build Service

From the simplest to the most complex EOAT, EMI specializes in designing and building customized End-of-Arm-Tooling— **Priced Competitively.**

Get started by sending us a sample part or 3D part file and a completed datasheet (see page 1082). Our experienced EOAT engineers will design a tool for you and provide you 3D CAD renderings at no cost or obligation. We'll also provide pricing for the tool should you want to purchase the EOAT completely assembled.

