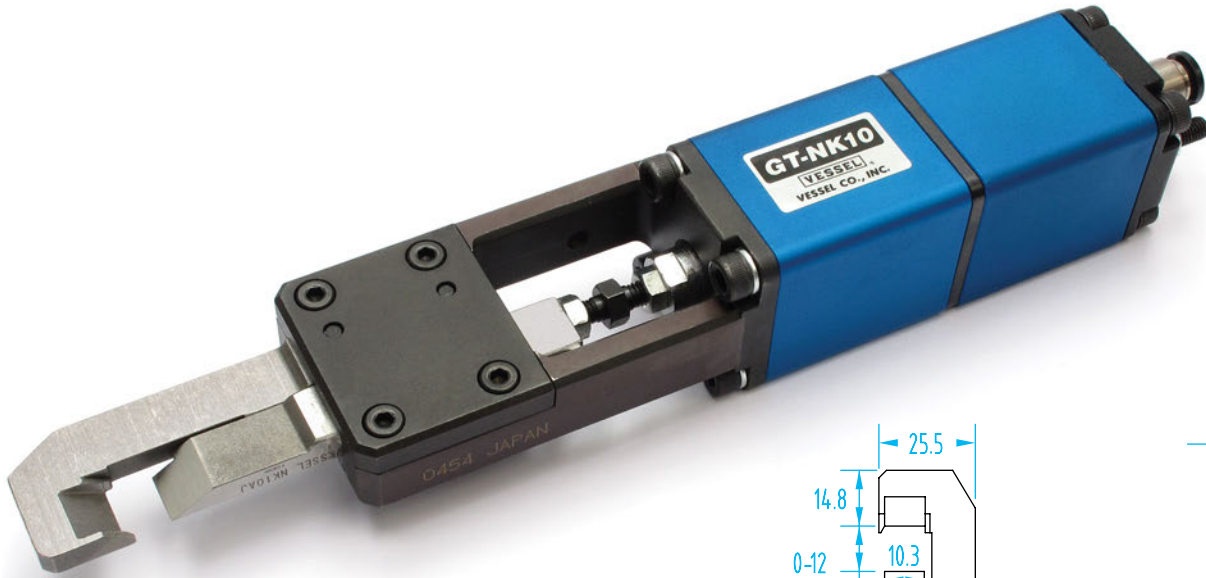
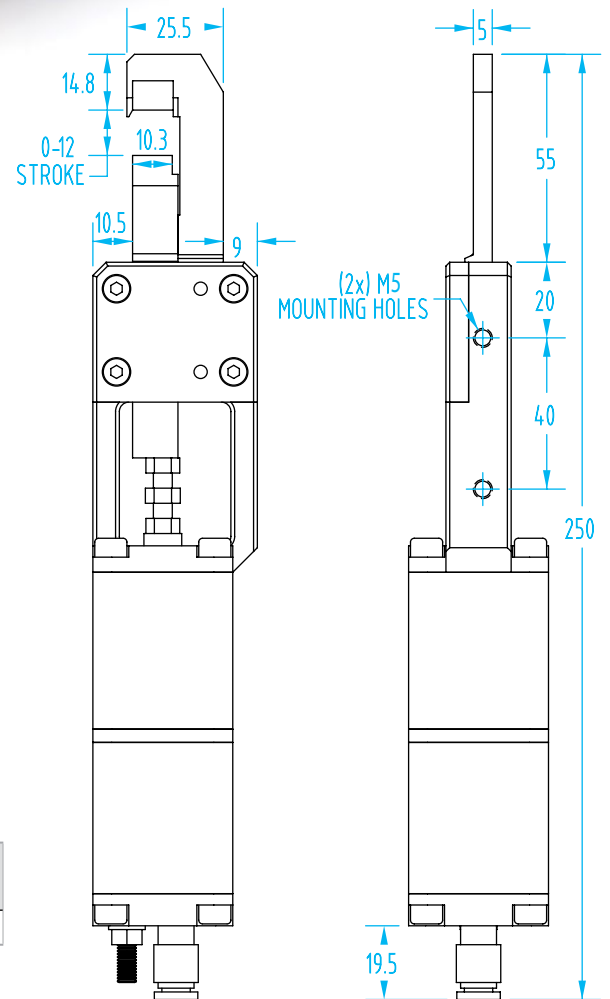


# Compact Thrust-Cut Nippers

(Dimensioned drawing shown half scale)



- Small, lightweight, and compact.
- Can cut fan gates as wide as 10mm.
- Adjustable blade stroke 0–12mm.
- Includes 6mm fitting.
- Pre-tapped mounting holes for easy installation.



**Vessel Thrust-Cut Nippers**

| Quick# | Part#   | Price      | Wt   | Working Air Pressure | Cutting Cap Ø ABS | Stroke (mm) |
|--------|---------|------------|------|----------------------|-------------------|-------------|
| 2329   | GT-NK10 | \$1,114.00 | 800g | 57–71 psi            | 5                 | 12 max      |

**Replacement Thrust-Cut Nipper Blade**

| Quick# | Part#  | Nipper Model | Width (Max. Fan Gate Width) | Price    |
|--------|--------|--------------|-----------------------------|----------|
| 2330   | NK10AJ | GT-NK10      | 10                          | \$396.00 |

