

NT – Sliding Nippers

The Vessel® GT-NT series sliding nippers boast a small footprint for applications with space restrictions. The GT-NT03-4 is among the smallest nippers in the industry. Unique to this nipper is the built-in blade opening adjustment and lock. The GT-NT nippers are available in both a PUSH or PULL style to suit your application needs. The slide stroke can be adjusted from 0mm up to 8mm, depending on the model. A standard feature of GT-NT nippers is one-touch quick connection fittings.

See page 925 for Timing Controller.

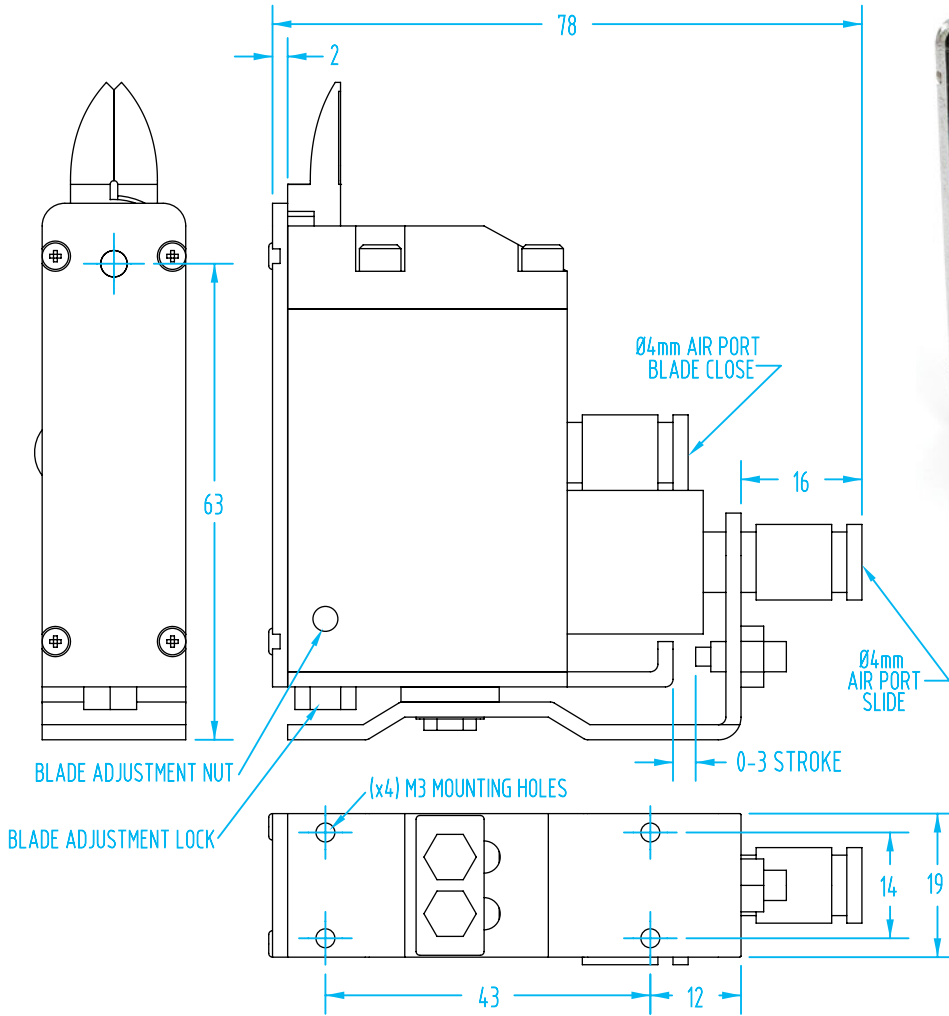


See sliding nipper alternatives on page 842.



NT03 – Sliding Nippers

(Dimensioned drawings shown full scale)



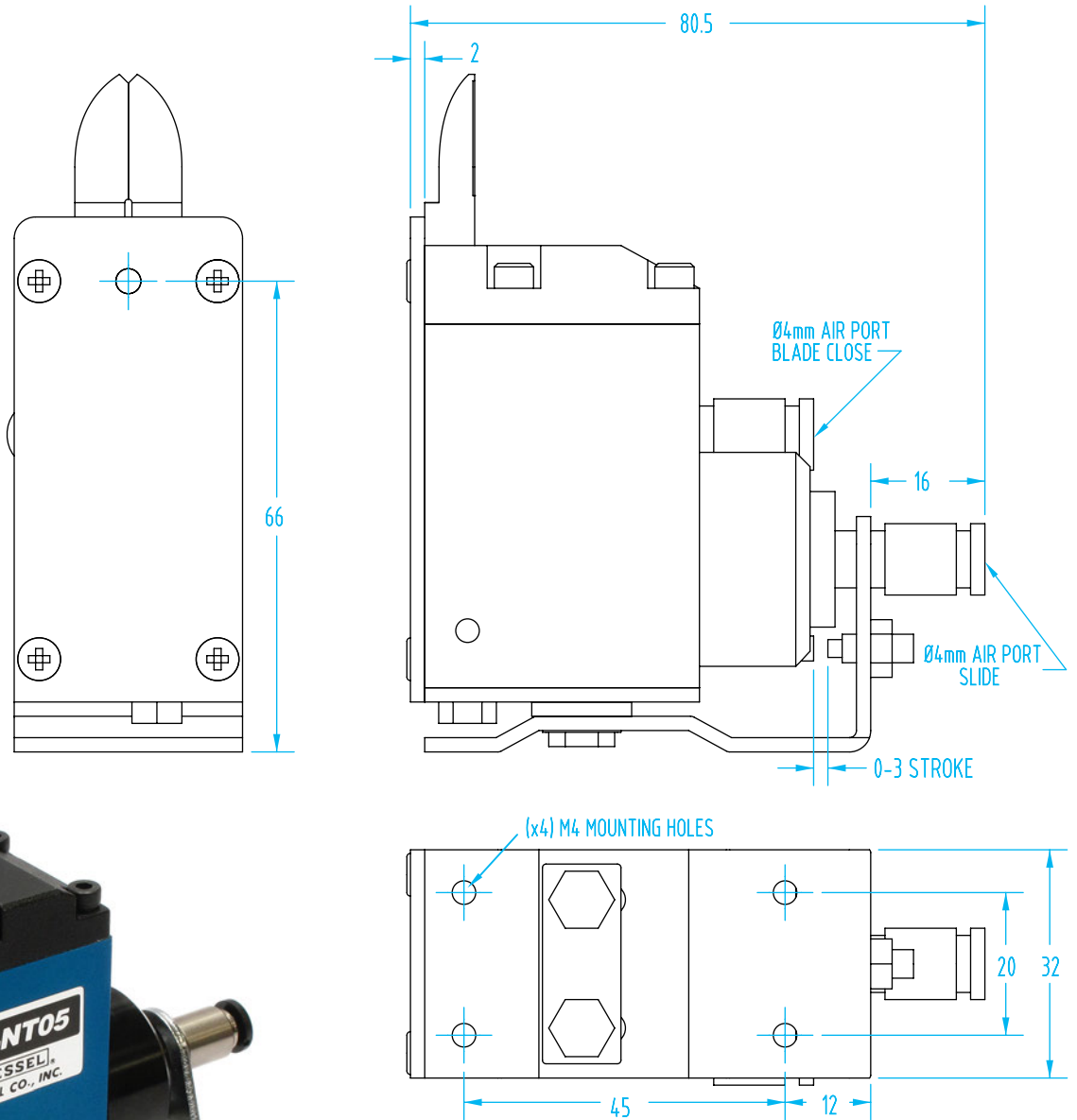
NT03 - Sliding Nipper

Quick#	Part#	Price	Weight	Fitting Specs.	Slide Stroke (mm)		Max. Cutting Cap. Ø (mm)	
							Soft Plastic	Hard Plastic
2256	GSN-NT03-4	\$361.00	178g	Push-in fitting, 4mm OD hose	Pull	0-3	1.5	1.0
2257	GSN-NT03R-4	\$361.00	178g	Push-in fitting, 4mm OD hose	Push	0-3	1.5	1.0

Note: R=Push All fittings supplied.

NT05 – Sliding Nippers

(Dimensioned drawings shown full scale)



Order Blades Separately
See page 945

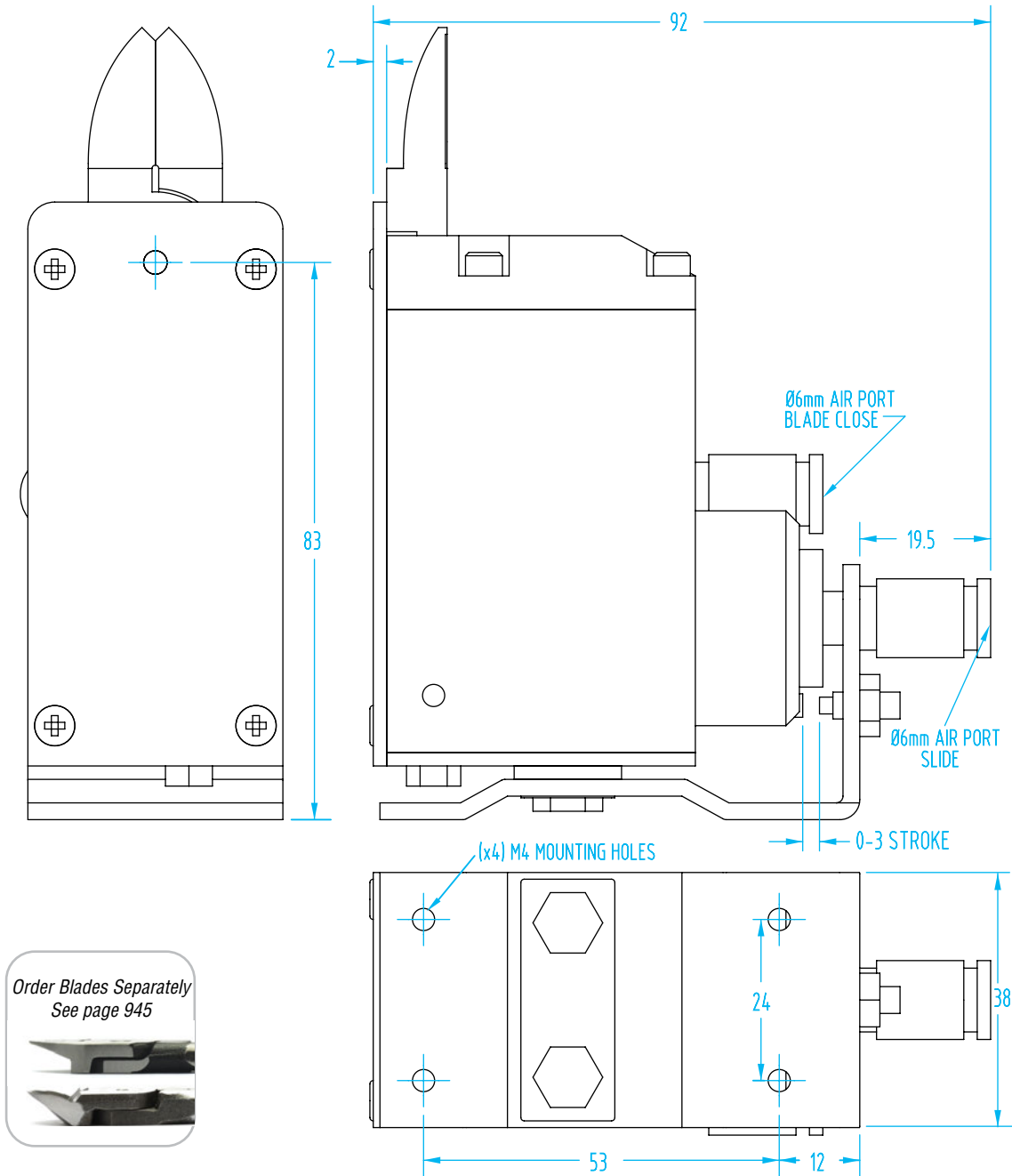
NT05 - Sliding Nipper

Quick#	Part#	Price	Weight	Fitting Specs.	Slide Stroke (mm)		Max. Cutting Cap. Ø (mm)	
							Soft Plastic	Hard Plastic
2070	GSN-NT05	\$387.00	325g	Push-in fitting, 4mm OD hose	Pull	0-3	2.5	1.5
2320	GSN-NT05R-04	\$387.00	325g	Push-in fitting, 4mm OD hose	Push	0-3	2.5	1.5

Note: R=Push All fittings supplied.

NT10 – Sliding Nippers

(Dimensioned drawings shown full scale)



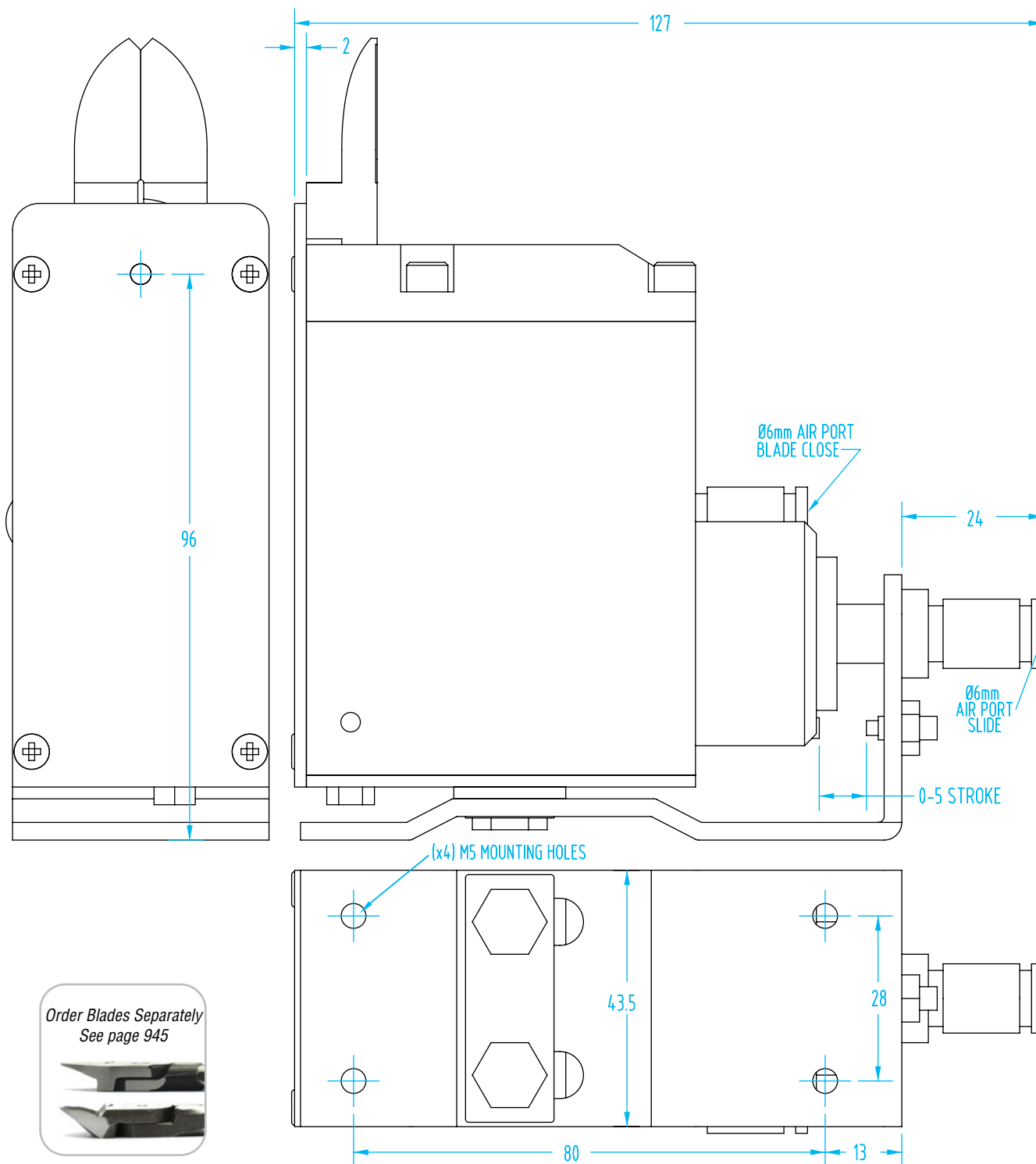
NT10 - Sliding Nipper

Quick#	Part#	Price	Weight	Fitting Specs.	Slide Stroke (mm)		Max. Cutting Cap. Ø (mm)	
							Soft Plastic	Hard Plastic
2321	GSN-NT10-6	\$423.00	515g	Push-in fitting, 6mm OD hose	Pull	0-3	3.5	2.3
2322	GSN-NT10R-6	\$423.00	515g	Push-in fitting, 6mm OD hose	Push	0-3	3.5	2.3

Note: R=Push All fittings supplied.

NT20 – Sliding Nippers

(Dimensioned drawings shown full scale)



Order Blades Separately
See page 945



NT20 - Sliding Nipper

Quick#	Part#	Price	Weight	Fitting Specs.	Slide Stroke (mm)	Max. Cutting Cap. Ø (mm)	
						Soft Plastic	Hard Plastic
2266	GSN-NT20	\$476.00	930g	Push-in fitting, 6mm OD hose	Pull 0-5	5.0	3.4
2323	GSN-NT20R-6	\$476.00	930g	Push-in fitting, 6mm OD hose	Push 0-5	5.0	3.4

Note: R=Push All fittings supplied.