

## How to Convert from Dovetail to Round Quick Changers

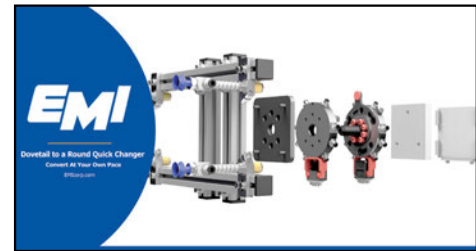
### EMI's approach to converting and interchanging your robot from a Dovetail to Round Quick Changer.

Dovetail quick changers have a long legacy in the plastics industry and EMI continues to design, assemble and support End of Arm Toolings with this style of quick changers. As customers expand to more complex injection molding processes, more advanced features and functions may be required from tending robots and EOAT; That's where Round Style Quick Changers come into play.

This in-stock EMI solution can quickly retrofit your existing dovetail QC's to easily begin using round QC's without having to remove your existing Dovetail Robot Side Quick Changer! By doing so, this allows you to convert from Dovetail QC to Round QC's at your own pace!

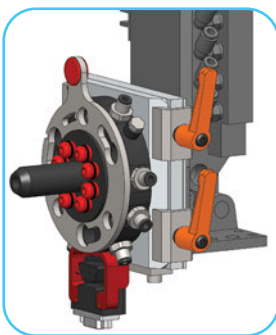
### Here are some of the features that Round Style Quick Changers offer, and why EMI has developed this guide to seamlessly convert or interchange quick changers in your facility:

- **Safety:** Designated compressed air, vacuum, and electrical circuits ensure that actuators such as sprue grippers, nippers, cylinders and other circuits do not cross, increasing safety and protecting your equipment.
- **Standardization:** Consistent pneumatic and electrical connections across your plant. If your mold runs in the US, Canada or Mexico, Round Quick Changers enable EOAT consistency across your entire company.
- **Efficiency:** Downtime spent manually plumbing and wiring can be detrimental to your production. Round Quick Changers cut down installation time by offering up to 12 pneumatic and 30 electrical connections.

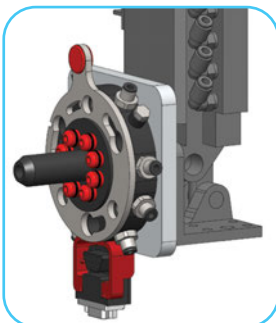


View our How-To Overview Video!  
[www.youtube.com/emiacorpvideo](http://www.youtube.com/emiacorpvideo)

### EMI offers 2 options to implement Round Quick Changers in your plant:



- **Quick Changer Transition at your own pace**
  - Keep your Dovetail QC while adding a Round QC.
  - Existing Dovetail EOAT can still be used.
  - Newer EOAT with Round Quick Changers can also be used.
  - EMI offers all the components needed for a seamless transition.
  - Although this is mechanically sound, this should be considered as an intermediate step in an overall process towards a full quick changer conversion (below).



- **Full Quick Changer Conversion**
  - EMI will work with you to design the right adapter plate to fit your robot.
  - Remove existing Dovetail Quick Changer from EOAT and Robot.
  - Use in-stock adaptor plates to install your Round Quick Changer on both sides.
  - EMI recommends this permanent configuration when fully converting to round quick changers.

Whether your plant uses Dovetail or Round Quick Changers, EMI is here to support all your EOAT needs!

# How to Convert from Dovetail to Round Quick Changers

## STEP 1 WHAT SIZE IS YOUR CURRENT DOVETAIL QC?



## STEP 2 CHOOSE THE COMPATIBLE ROUND QC

Choose the corresponding Senvex / WGS, Gimatic or >ASS< Round Quick Changers. Electrical connectors and other accessories are sold separately.

Advanced Tip: Always consider payload when sizing a Quick Changer. Contact EMI if you have any questions about QC specs.

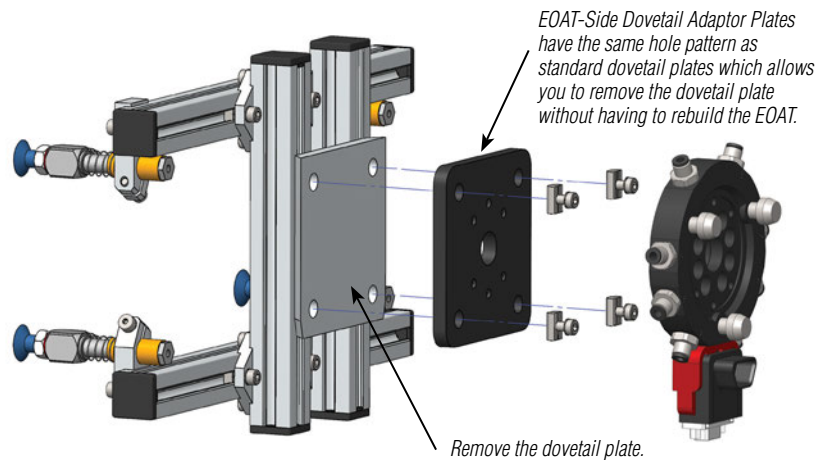


## STEP 3 SELECT THE EOAT-SIDE ADAPTOR TO REPLACE THE DOVETAIL QC

This adaptor will be the same size as your existing dovetail quick changer.

Simply remove the existing Dovetail plate and replace it with the adaptor.

Swap your EOAT-side QC with the corresponding size adaptor and use the existing hardware.

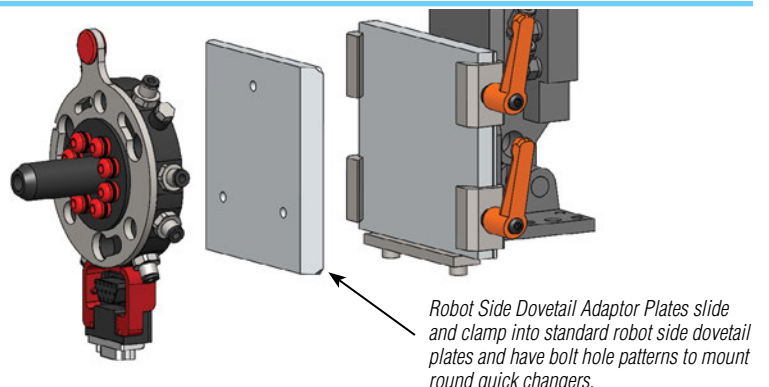


## STEP 4 SELECT THE ROBOT-SIDE ADAPTOR

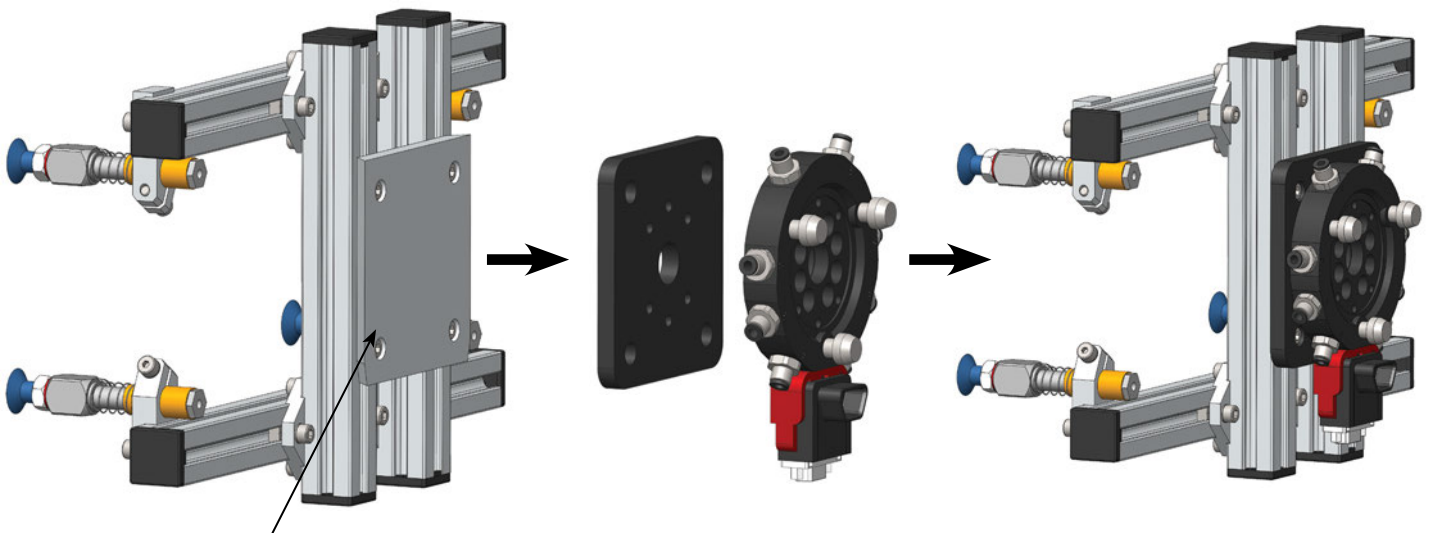
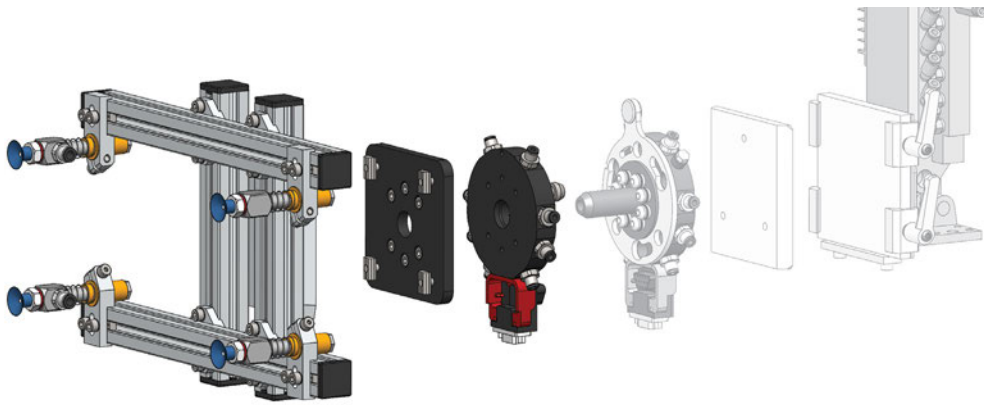
Lastly, select the matching size adapter plate for your robot-side QC and install the Round QC to it. This plate will look like your existing dovetail.

Your robot is now ready for Dovetail or Round QC EOAT!

Contact EMI if you want to attach the Round QC directly to your robot.



# EOAT-Side Adaptor Plates



Remove the existing Dovetail plate and replace it with the new adaptor.

Advanced Tip: You may want to scribe the edges of your existing QC to make sure the new plate is properly aligned.

Install new EOAT-Side Adaptor Plate and Round Quick Changer.

EMI's Adaptor Plates have the same hole patterns as standard dovetail plates which allows you to remove the dovetail plate without having to rebuild the EOAT. Unbolt the standard dovetail plate and replace it with EMI's EOAT-Side Adaptor Plate and a round quick changer.

Your EOAT is ready for use!

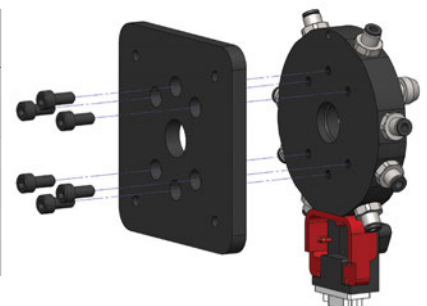
See Round QC pages for payload information.

**NEW**

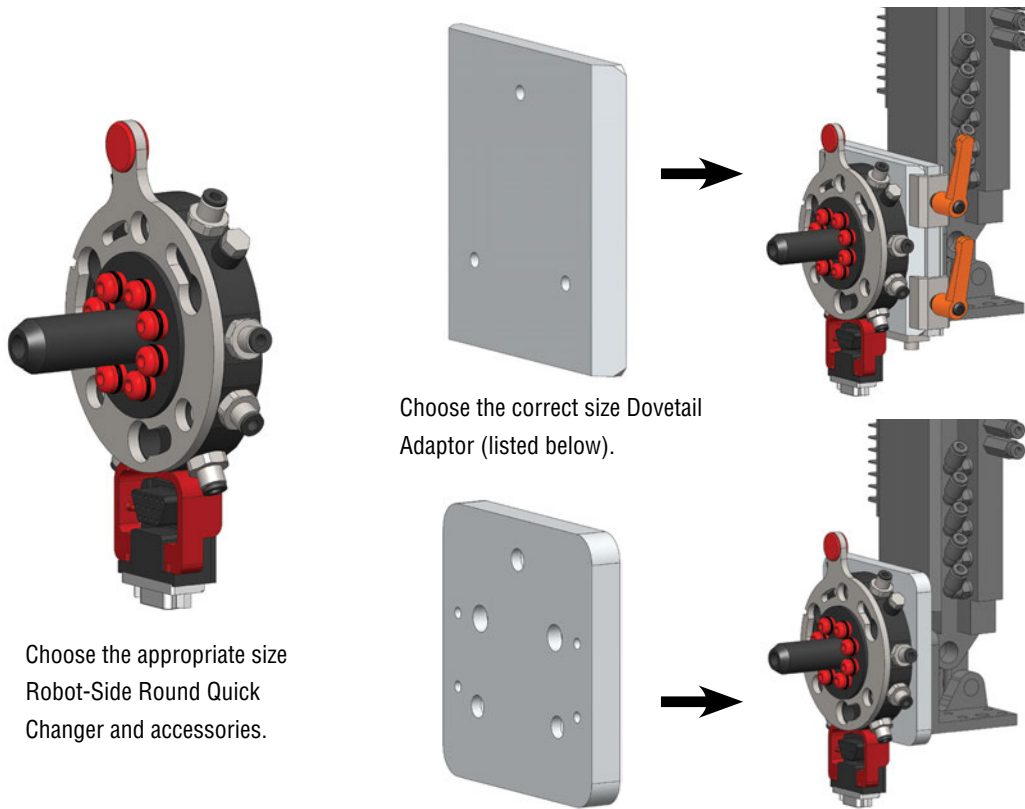
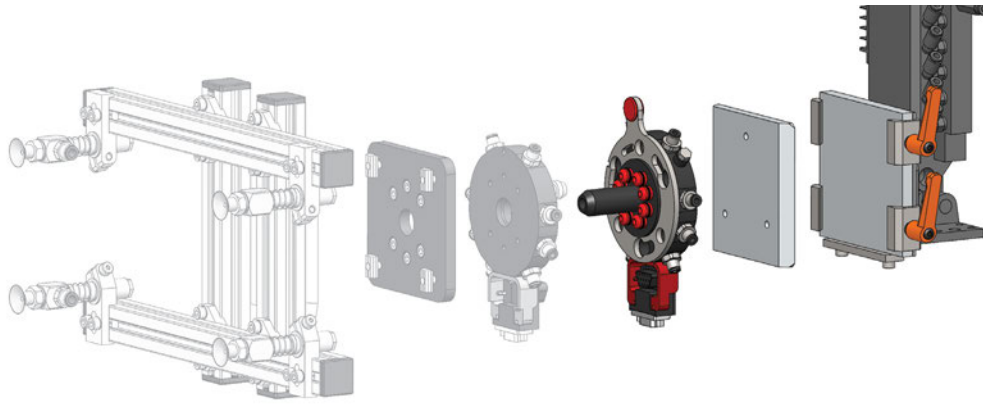
### Dovetail Adaptor – EOAT-Side

Quick#	Part#	Price	Wt.	Dovetail Size	Round QC Options	Hardware
2451	GSC-DCP-0	\$22.50	48.5g	Size 0 (□60mm)	QC 50	4x Q# 827 and Q# 817
2452	GSC-DCP-1	\$23.50	194.4g	Size 1 (□100mm)	QC 90	6x Q# 865 and Q# 853
2453	GSC-DCP-2	\$43.50	512.3g	Size 2 (□160mm)	QC 90	6x Q# 865 and Q# 854
					QC 150	6x Q# 880 and Q# 876
2454	GSC-DCP-3	\$70.00	1548.8g	Size 3 (□250mm)	QC 150	6x Q# 880 and Q# 878
					QC 200	6x GSC-FSH-8x25

Note: Hardware can be found on page 1076.



# Robot-Side Adaptor Plates



Choose the correct size Dovetail Adaptor (listed below).

Choose the appropriate size Robot-Side Round Quick Changer and accessories.

Or if you would like a custom designed plate contact us for assistance.

**NEW**

**Dovetail Adaptor – Robot-Side**

Quick#	Part#	Price	Wt.	Dovetail Size	Round QC Options	Hardware
2455	GSC-DQCAP-0	\$25.00	66.2g	Size 0 (□60mm)	QC 50	4x Q# 827 and Q# 817
2456	GSC-DQCAP-1	\$30.00	197.4g	Size 1 (□100mm)	QC 90	3x Q# 880 and Q# 873
2457	GSC-DQCAP-2	\$60.00	641.1g	Size 2 (□160mm)	QC 90	3x Q# 880 and Q# 873
					QC 150	5x Q# 894 and Q# 890
2458	GSC-DQCAP-3	\$100.00	1916.9g	Size 3 (□250mm)	QC 150	5x Q# 894 and Q# 890
					QC 200	6x Q# 894 and Q# 892

Note: Hardware can be found on page 1076.

