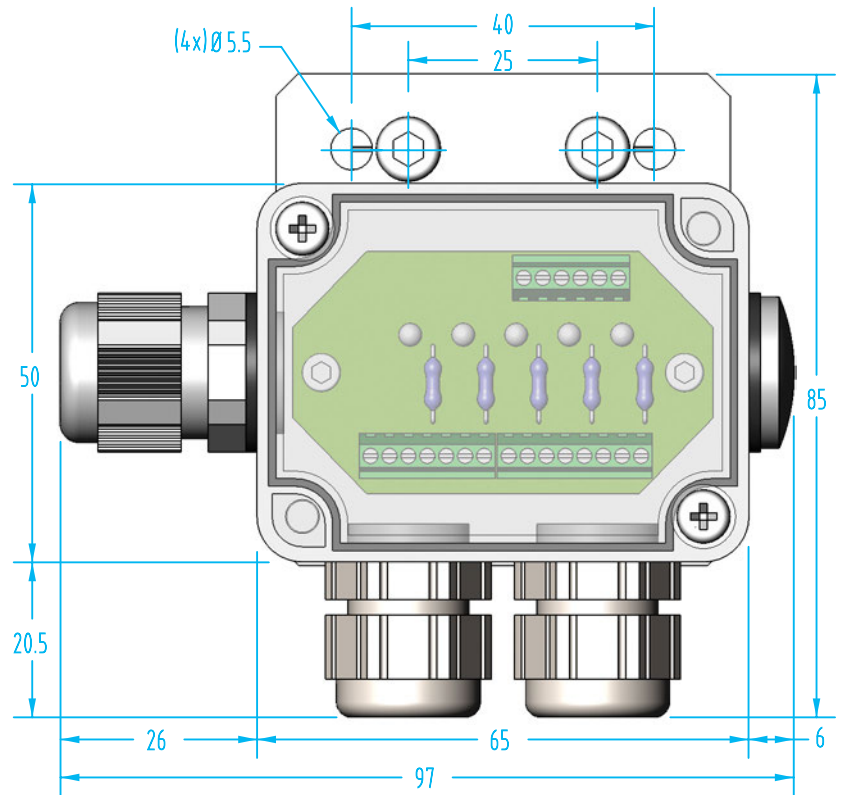


>S< Style Terminal Box KK



Terminal box is used to connect up to four PNP sensors in series or individually.

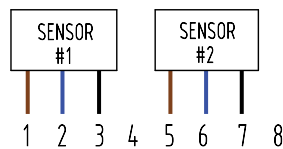


Terminal Box - KK

Quick#	Part#	>ASS< #	Price	Wt.
3404	KK1	1-805-20-00	\$103.55	115g

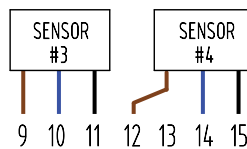
Connection Example: Two Sensors are Independent

Outputs A #3 & #4
(See output area)

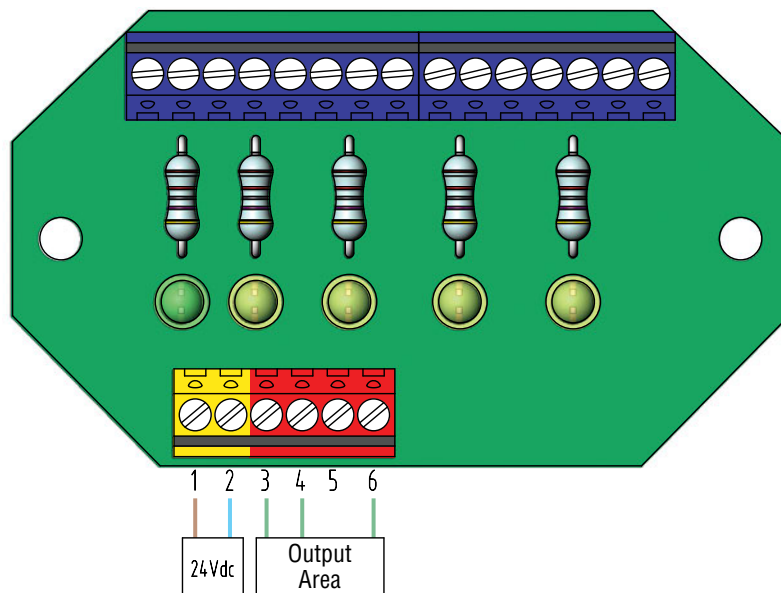


Connection Example: Two Sensors in Series

Output A #6
(See output area)

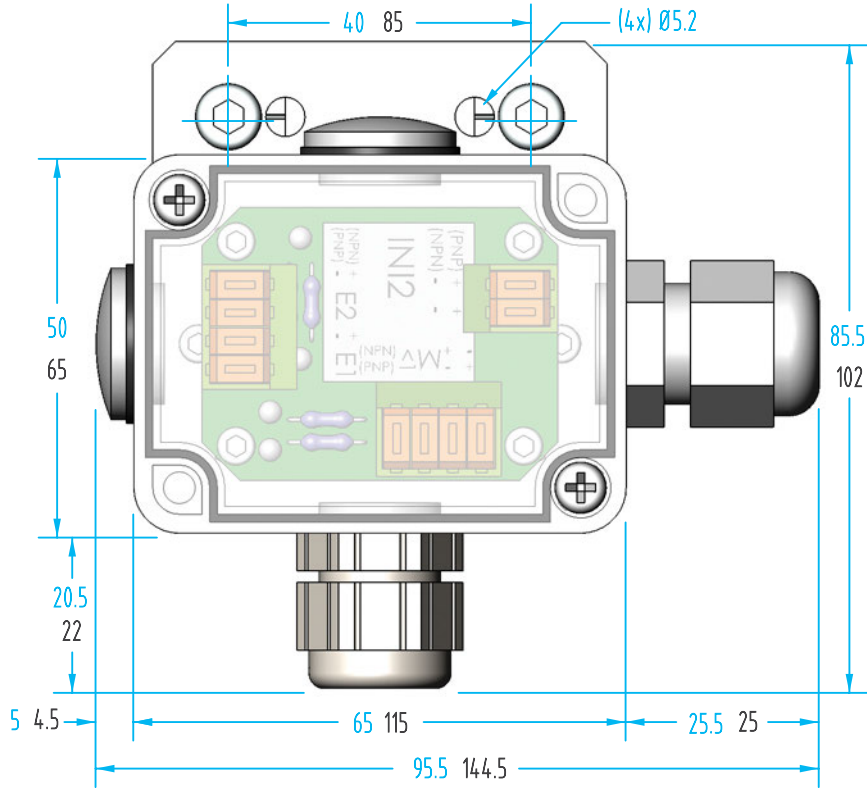
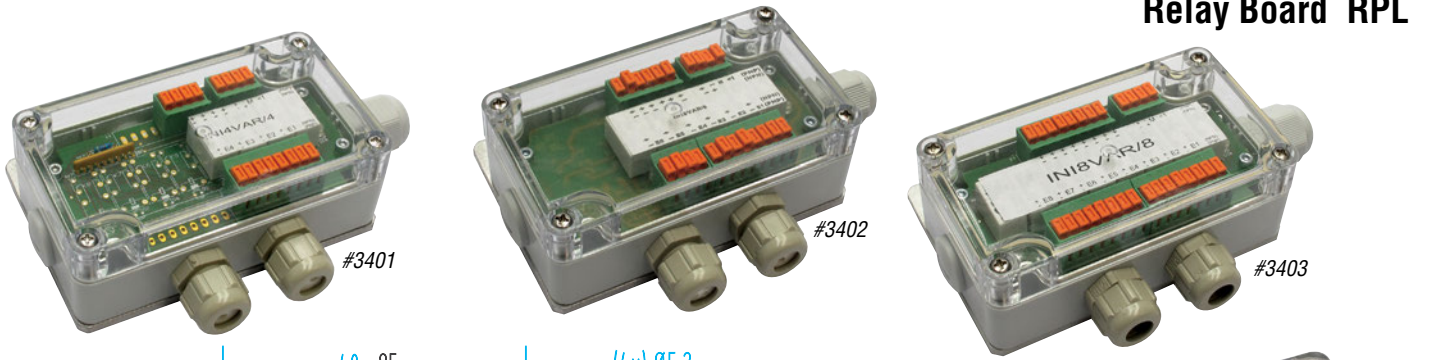


- Positive +
- Negative -
- Signal
- Output
- Input Power
- Sensor Input



Used for PNP sensors only
(Enlarged to show detail)

Relay Board RPL



Relay board is used for series connection of multiple sensor signals (22–26Vdc).

Dimensions for #3400 in Blue,
Dimensions for #3401-#3403 in Black.

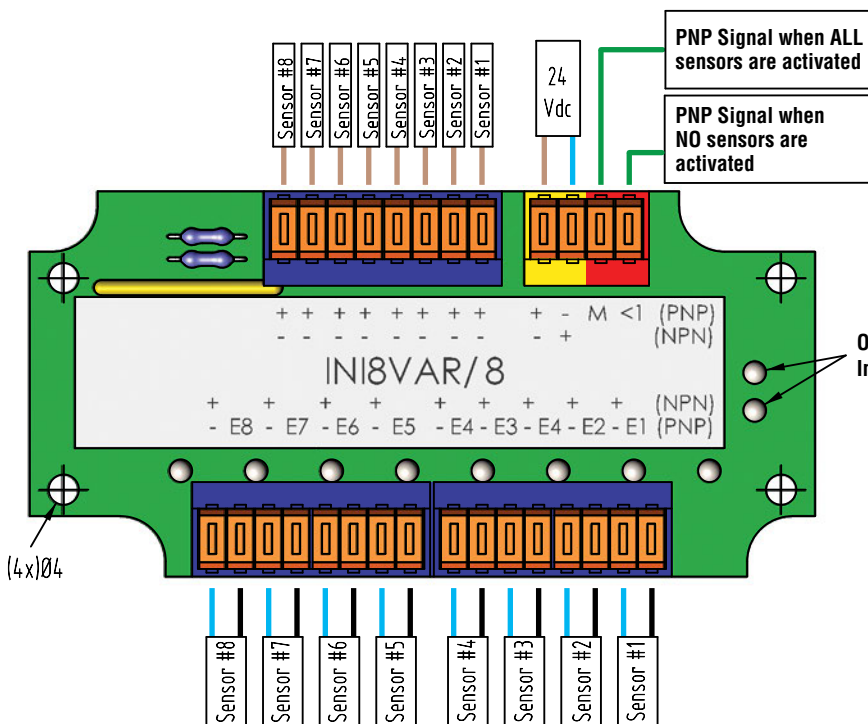
Relay Board

Quick#	Part#	>ASS< #	Price	Inputs	*Wt.
3400	RPL2	1-805-10-00	\$100.83	2	156g
3401	RPL4	1-805-12-00	\$151.51	4	319g
3402	RPL6	1-805-14-00	\$176.04	6	360g
3403	RPL8	1-805-16-00	\$196.20	8	367g

*Weight includes aluminum mounting plate and plastic housing.

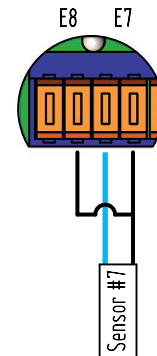
A PNP output wiring example is shown.
(All sensors must be PNP)

If an NPN output is desired all brown and blue wires
will need to be reversed.
(All sensors must be NPN)



Output Indicator

- Red Output
- Yellow Input Power
- Blue Sensor Input
- Brown Positive +
- Light Blue Negative -
- Black Signal



If using fewer sensors than sensor inputs, all
E Terminals must be jumped.