

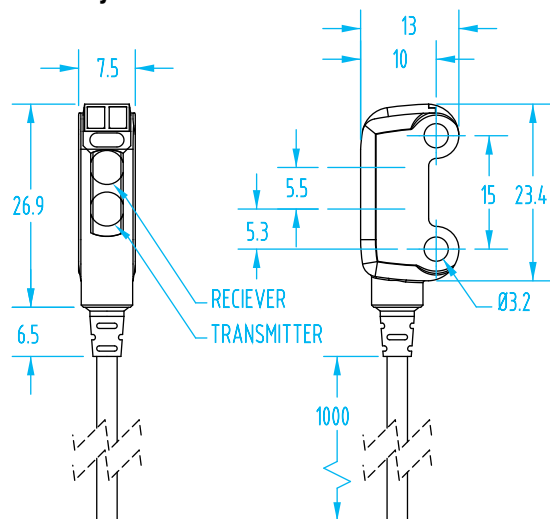
Miniature Photo Sensors

- Single-unit photo sensor, no reflector needed.
- Nonadjustable detecting range of 1mm–30mm and are equipped with background suppression.
- Detects wide range of material and colors but is NOT RECOMMENDED FOR CLEAR OR TRANSPARENT PARTS.
- Light indicators: Output indicator (Orange), Stable operation indicator (Green)
- 120mm M8 Cable length.
- Light Source: 4 element, Red LED
- Smallest stainless steel photoelectric sensor in its class.
- The heavy duty body is highly resistant to oils, acids, and alkaline detergents and can be used in harsh environments due to its NEMA and IP rated enclosure.
- See page 985 for cables.



Quick#	Part#	Price	Description	Connection	Weight
2714	GSE-PR-MB30C3PL	\$160.00	Slim PNP, Provides Normally Open Output	3-pin M8	11g
2725	GSE-PR-FB30C3PL	\$160.00	Flat PNP, Provides Normally Open Output		11g
2729	GSE-PR-MB30CN	\$160.00	Slim NPN, Provides Normally Open & Normally Closed Output	4-pin M8	11g
2728	GSE-PR-MB30CP	\$160.00	Slim PNP, Provides Normally Open & Normally Closed Output		11g
2727	GSE-PR-FB30CN	\$160.00	Flat NPN, Provides Normally Open & Normally Closed Output	4-pin M8	11g
2726	GSE-PR-FB30CP	\$160.00	Flat PNP, Provides Normally Open & Normally Closed Output		11g
Mounting Bracket for Sensors - Dimensional Drawings and Application Examples online					
2041	GSC-PEB-2015	\$14.17	Slim Style Mounting Bracket, Hardware included		9g
2042	GSC-PEB-2017	\$18.16	Flat Style Mounting Bracket, Hardware included		11g

Slim Style:



Flat Style:

