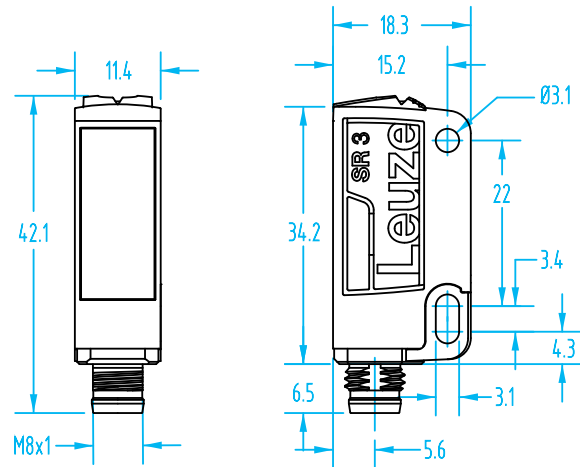


Photo Sensors

- **New, improved design with 4 times faster response time!**
- Diffuse sensor with background suppression
- Single-unit photo sensor, no reflector required.
- Detects wide range of materials and colors, including translucent and transparent materials.
- Good for general purpose non-contact sensing.
- Automatic interference prevention is incorporated into these sensors so they may be mounted next to one another.
- Range adjustable 0–450mm.
- Outputs both normally open and normally closed signals via 4-pin M8 connection. (normally open via black signal wire, normally closed via white signal wire).
- IP67 (liquids) , IP69K (dust)
- Light source: Red LED

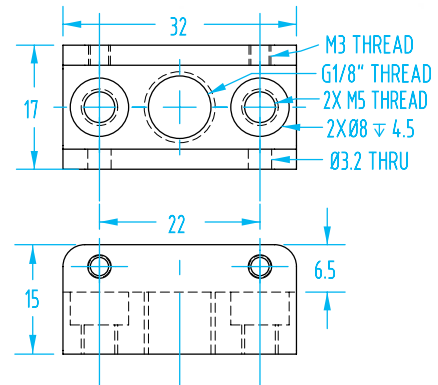
(Shown Actual Size)



Quick#	Part#	Description	Connection	Price
5476	GSE-HRTR-PNP	Precision Photo Sensor PNP	4-pin M8	\$161.00
5477	GSE-HRTR-NPN	Precision Photo Sensor NPN		\$161.00
Mounting Bracket for Sensors				
5882	GSC-PEB-2011	Fasteners included		\$18.15

See page 985 for cables.

Send sample parts for testing



Mounting Examples

