

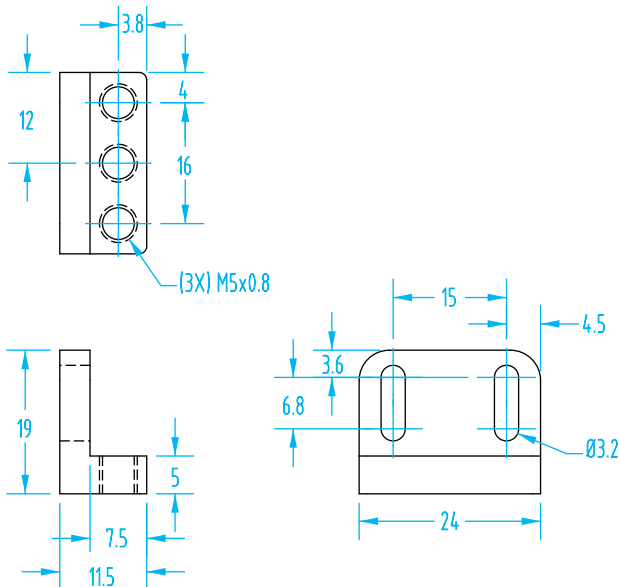
Miniature Photo Sensors

- Diffuse reflection sensor, no reflector needed.
- Nonadjustable detecting range of 1–30mm and is equipped with precise background suppression - independent of surface color and gloss.
- NOT RECOMMENDED FOR CLEAR OR TRANSPARENT PARTS.
- Precise detection of very small, very flat or highly reflective components.
- Compact size ideal for space restrictive areas.
- Light indicators: Power (Green), Switching status (Yellow).
- Protection rating: IP65, IP67.
- Light Source: Red LED
- See page 985 for cables.



Quick#	Part#	Price	Description	Connection	Weight
2037	GSE-08H208	\$89.00	Slim Reflective Photo Sensor PNP	3-pin with 0.3m M8 connector	20.9g
2038	GSE-08H209	\$89.00	Slim Reflective Photo Sensor NPN		20.9g
2039	GSE-08H210	\$89.00	Slim Reflective Photo Sensor PNP	4-pin with 0.3m M8 connector	20.9g
2040	GSE-08H211	\$89.00	Slim Reflective Photo Sensor NPN		20.9g
Mounting Bracket for Sensors					
2041	GSC-PEB-2015	\$14.17	Slim Style Mounting Bracket, Hardware included		9g

#2041:



#2037-#2040:

