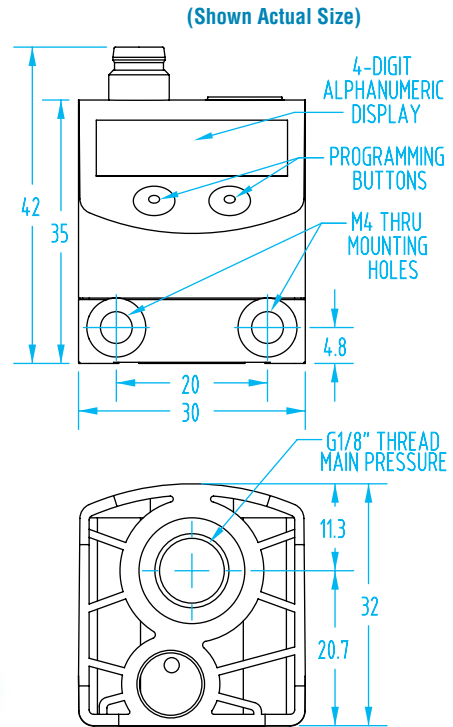


Vacuum Monitor Switches

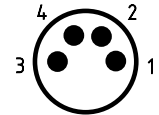
- This switch precisely measures the full range of vacuum and pressure typical in robotics and material handling applications.
- Compact & lightweight.
- 2-color, 4-digit alpha-numeric display.
- Simple push-button setup.
- Two programmable switching outputs or one switching and one diagnostic output.
- 4-pin M8 male connection.

Values can be programmed to change color depending on the switching output status (e.g., red: output 1 switched; green: output 1 not switched).



Vacuum Monitor Switch

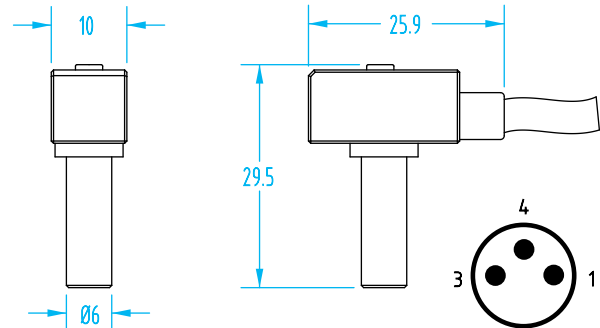
Quick#	Part#	Signal	Wt.	Vacuum connection	Operating Voltage	Measuring Range	Price
2696	GSE-PQ-7834	PNP	108g	G1/8" Female	18-32V DC	-14.5 to 145 psi	\$163.00
2697	GSE-PQ-0834	NPN	108g	G1/8" Female	18-32V DC	-14.5 to 145 psi	\$163.00



See page 985 for cables.

Use Quick#s for easy online ordering.

- These are ideal for applications that only need a simple "object gripped" signal, and offer an economical and effective solution for applications with one vacuum generator per vacuum cup.
- Simple plug-in installation.
- Compact & ultra-lightweight.
- 3-pin M8 male connection.
- User may select sensing value.
- Total length of cable: 150mm.



Vacuum Monitor Switch

Quick#	Part#	Signal	Wt.	Vacuum connection	Operating Voltage	Measuring Range	Price
1931	PSK-100-D6P	PNP	8.3g	Ø6mm	10.8-30V DC	0 to -14.69 psi	\$92.00
1932	PSK-100-D6N	NPN	8.3g	Ø6mm	10.8-30V DC	0 to -14.69 psi	\$92.00

See page 985 for cables.