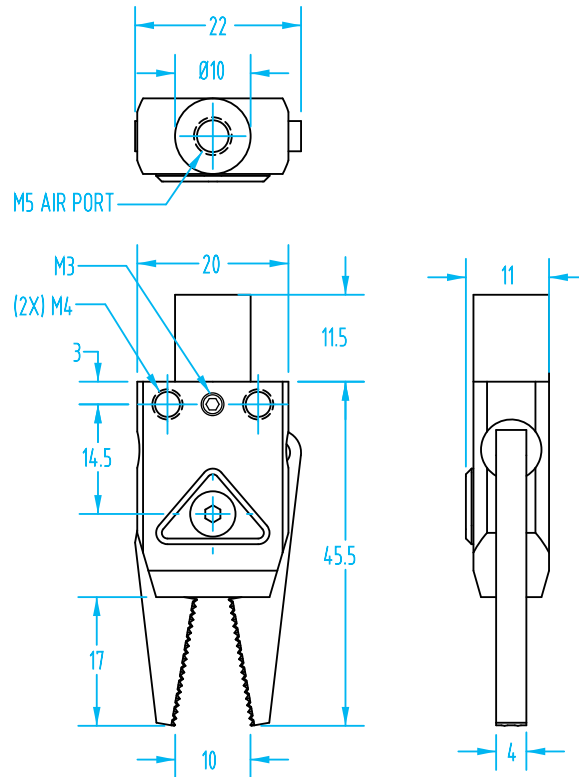


Micro Sprue Grippers – GRZ 10-08

GRZ 10-08 Features:

- Single acting with spring opening.
- Many mounting options — Ø10mm clampable body.
- M5 air ports in shaft and M4 ports on side.
- All grippers include sensors that have a 6 foot long lead (no connector).

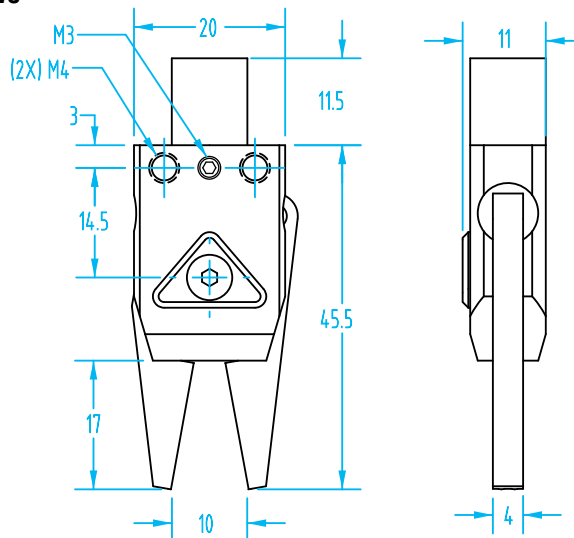
#3654 - Micro gripper with diamond textured jaws



Quick#	Part#	>ASS< #	Price	Style	lbs. Force at 18mm Tooling Length*	Applicable Sprue Ø	Wt.
3654	GRZ-10-08-CM	1-408-14-00	\$124.95	Textured jaws	6.5 lbf	1-6mm	17g

*Note: Force at 87psi (6 bar)

#3726 - Micro gripper with soft touch jaws

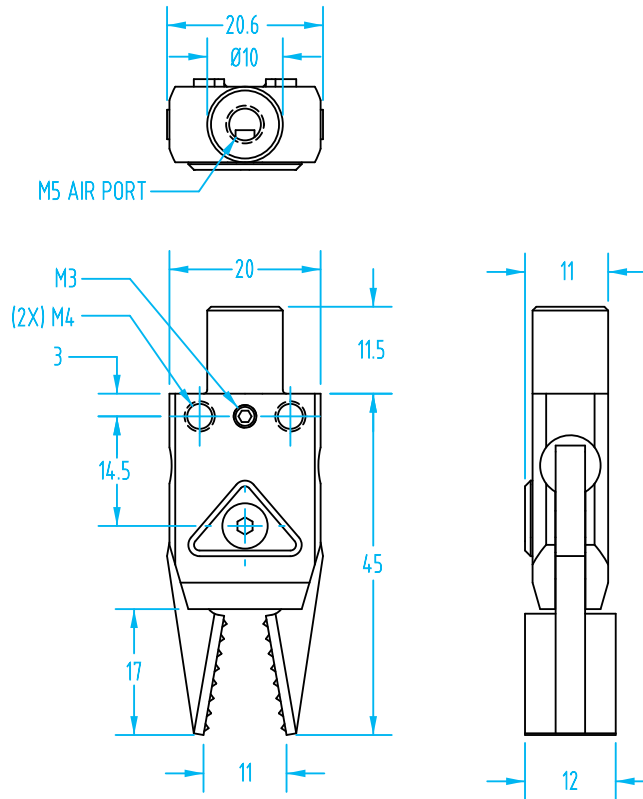


Quick#	Part#	>ASS< #	Price	Style	lbs. Force at 18mm Tooling Length*	Applicable Sprue Ø	Wt.
3726	GRZ-10-08-CMG-EP	1-408-30-00	\$205.80	Coated jaws	6.5 lbf	1-6mm	17g

*Note: Force at 87psi (6 bar)

Micro Sprue Grippers – GRZ 10-08

#3935 - Micro gripper with saw jaws



NEW

Quick#	Part#	>ASS< #	Price	Style	lbs. Force at 18mm Tooling Length*	Applicable Sprue Ø	Wt.
3935	GRZ-10-08-AH	1-408-04-00	\$141.75	Saw Jaws	6.5 lbf	1-6mm	17g

#3679 - Micro gripper sensor bracket



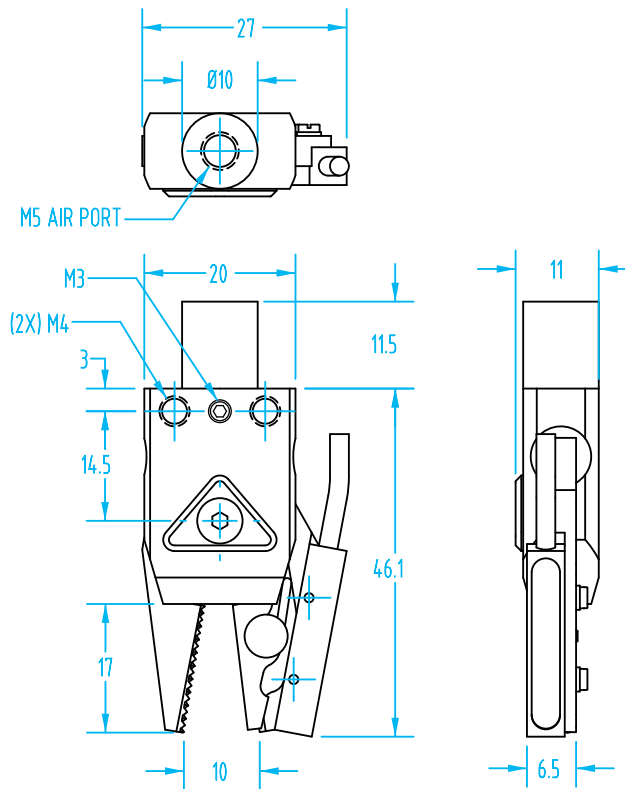
Sensor Bracket for Micro Grippers

Quick#	Part#	>ASS< #	Price	Wt.
3679	SH-GRZ-10-08	1-408-80-00	\$7.88	2g
Order Sensor Separately				
3809	MFS-T2-3-7	1-808-30-00	\$75.21	PNP

Micro Sprue Grippers with Sensor – GRZ 10-08

#3566 / #3567 - Micro gripper with textured jaw and sensor

- An improved trigger mechanism for reliably detecting small parts.



Quick#	Part#	>ASS< #	Price	Style	lbs. Force at 18mm Tooling Length*	Applicable Sprue \varnothing	Wt.
3566	GRZ-10-08-C-PNP	1-408-25-00	\$177.45	Textured Jaw - PNP sensor	6.5 lbf	1-6mm	49g
3567	GRZ-10-08-C-NPN	1-408-26-00	\$252.00	Textured Jaw - NPN sensor	6.5 lbf	1-6mm	49g

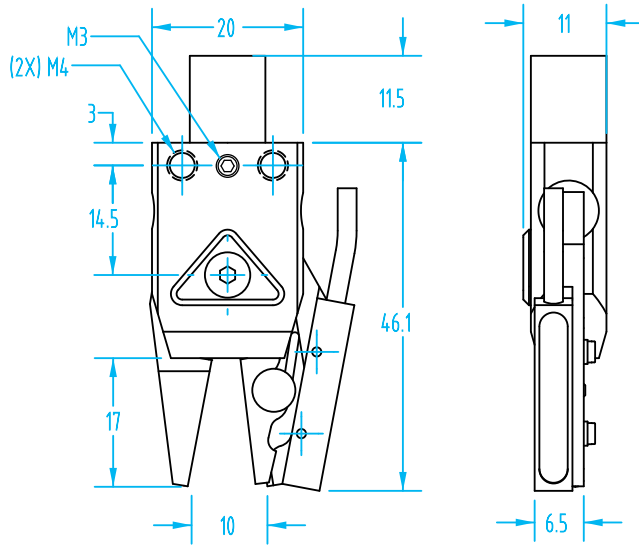
Sensors have 6 foot long cable with no connector.

*Note: Force at 87psi (6 bar)

Micro Sprue Grippers with Sensor – GRZ 10-08

(Dimensioned drawings shown full scale)

#3162 / #3164 - Micro gripper with EP coated jaw and sensor

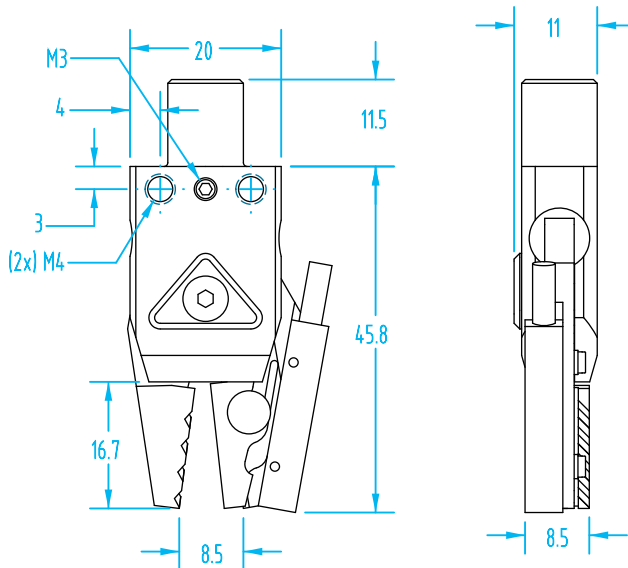


Quick#	Part#	>ASS< #	Price	Style	lbs. Force at 18mm Tooling Length*	Applicable Sprue Ø	Wt.
3162	GRZ-10-08-CF-PNP	1-408-21-00	\$227.85	Coated Jaw - PNP sensor	6.5 lbf	1–6mm	45g
3164	GRZ-10-08-CF-NPN	1-408-22-00	\$227.85	Coated Jaw - NPN sensor	6.5 lbf	1–6mm	45g

Sensors have 6 foot long cable with no connector.

#3317 / #3318 - Micro gripper with radiused jaw and sensor

- Is specifically designed for sensing soft materials.



Quick#	Part#	>ASS< #	Price	Style	lbs. Force at 18mm Tooling Length*	Applicable Sprue Ø	Wt.
3317	GRZ-10-08-C-WK-PNP	1-408-19-00	\$177.45	Radiused Jaw - PNP Sensor	6.5 lbf	1–6mm	50g
3318	GRZ-10-08-C-WK-NPN	1-408-20-00	\$252.00	Radiused Jaw - NPN Sensor	6.5 lbf	1–6mm	50g

Sensors have 6 foot long cable with no connector.

Nano GRZ Sprue Gripper – GRZ 10-06 / GRZ 06-06

(Dimensioned drawings shown full scale)

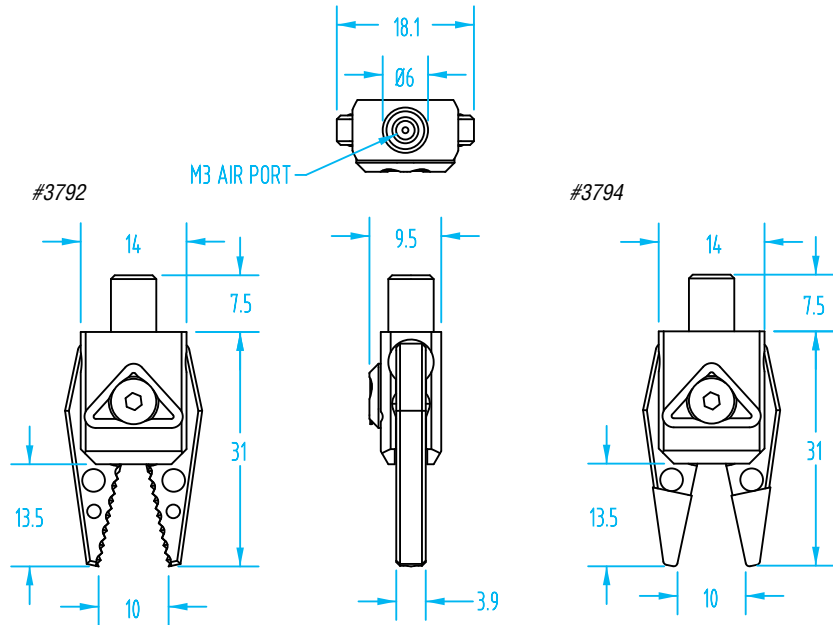
GRZ 06 Features:

- Single acting
- Very lightweight and compact design.
- M3 fittings on page 1047.
- Find Micro Series 6mm framing components on page 222.

#3792 & #3794 – Nano Size Grippers with 6mm Bore, 6mm Stem



NEW



Quick#	Part#	>ASS< #	Jaws	Closing Force*	Price	Wt.
3792	GRZ-06-06	1-406-00-00	Diamond Texture	1.34 lbf	\$91.88	6.5g
3794	GRZ-06-06-EP	1-406-02-00	EP Coated	1.34 lbf	\$151.73	6.5g

*Note: Force at 87psi (6 bar)

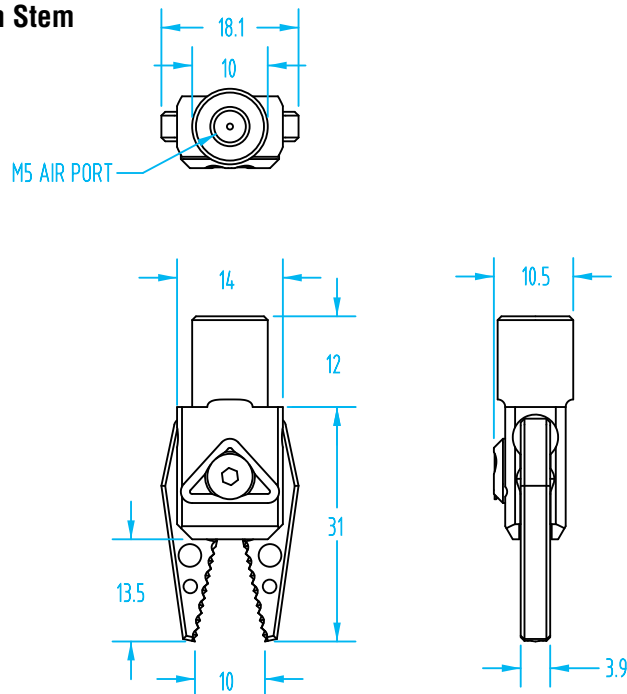
- #3794 with soft EP coating, Shore 60.

#3819 – Nano Gripper with 6mm Bore, 10mm Stem

- #3819 has a 10mm stem for mounting with our 10mm clamps. If a higher closing force is required the #3793 is available.



NEW



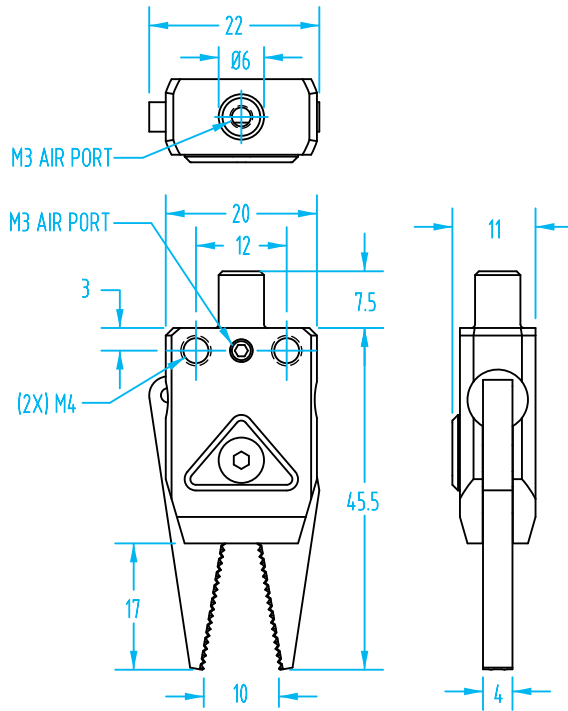
Quick#	Part#	>ASS< #	Closing Force*	Price	Wt.
3819	GRZ-10-06	1-406-01-00	1.34 lbf	\$94.50	8g

*Note: Force at 87psi (6 bar)

Micro GRZ Sprue Gripper – GRZ 10-08

(Dimensioned drawings shown full scale)

#3793 – Micro Size Gripper with 8mm Bore, 6mm Stem



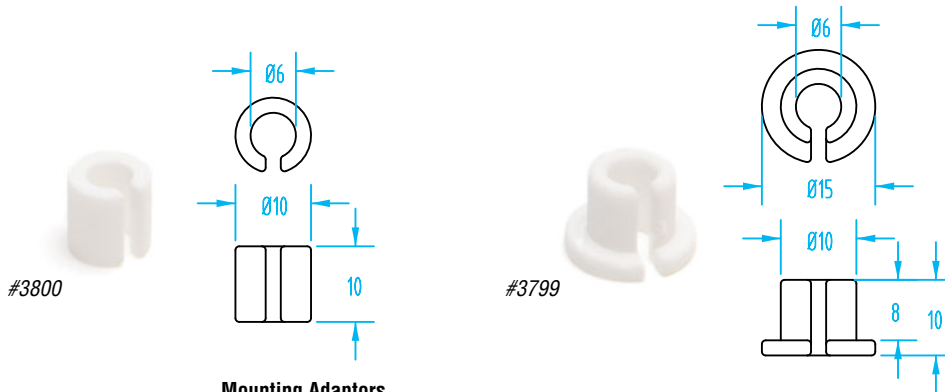
- Very lightweight and compact design.
- Ideal when a higher closing force is required for small EOAT's.
- Optional sensor clamp Quick# 3679 on page 487.



Quick#	Part#	>ASS< #	Price	Closing Force*	Wt.
3793	GRZ-06-08	1-408-01-00	\$111.83	4.27 lbf	15g

*Note: Force at 87psi (6 bar)

Accessories



Mounting Adaptors

Quick#	Part#	>ASS< #	Price	Wt.
3799	RMB-0610-10	1-116-00-16	\$4.73	<1g
3800	ROB-0610-10	1-116-00-17	\$3.68	<1g

Extension for GRZ 10-08 and GRZ 10-12 Grippers

Quick#	Part#	>ASS< #	Price	Wt.
3372	VL-U-25-GRZ-10-08	1-408-70-00	\$24.15	5g

NEW

