

Finger Blanks for Compact Grippers

(Dimensioned drawing shown full scale)

Finger Blanks - priced per PAIR

| Quick# | Part# | Material | Price |
|--------|--------------|----------|---------|
| 1240 | DD20-16-FBA2 | Aluminum | \$27.32 |
| 7662 | DD20-16-FBN2 | Nylon | \$20.35 |

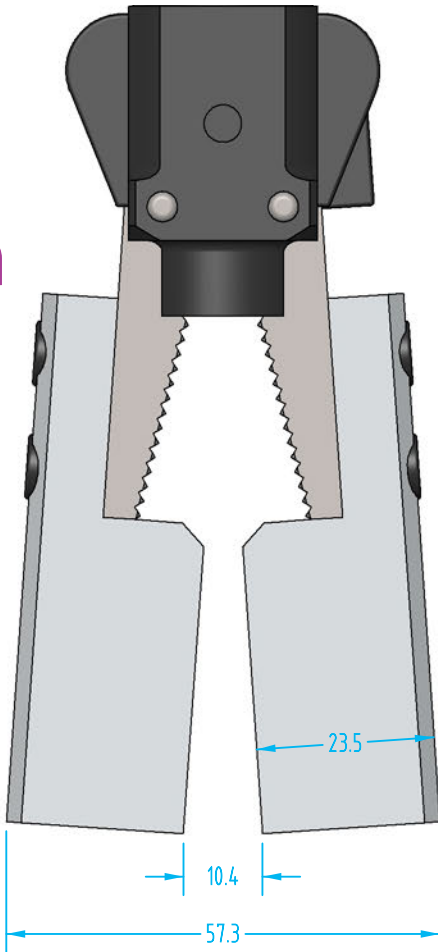
Includes fasteners.

- Don't want to machine custom fingers from scratch? Start with these aluminum, or lightweight nylon finger blanks. They are easy to shape to your particular part.
- For New style Gimatic DD20-16 grippers: #7550, #7551, #7555. Old versions available online at: www.EMlcorp.com.
- For >ASS< GRZ20-16A: #3311.

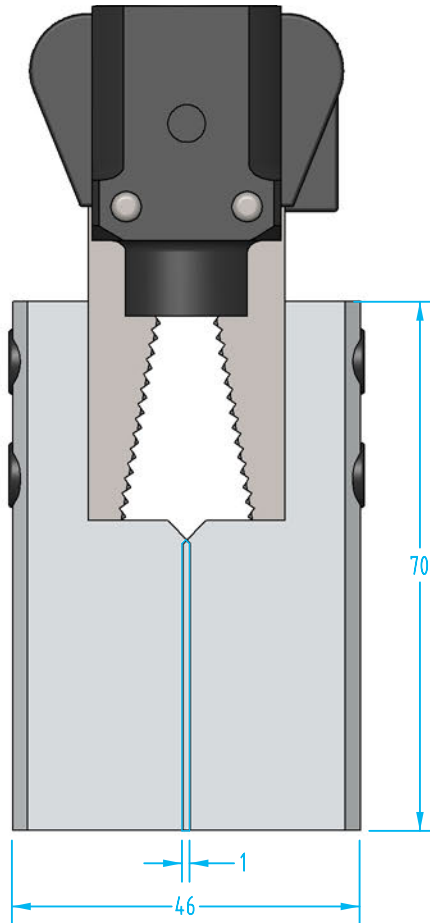
#1240



Gripper shown fully open:



Gripper shown in perpendicular position:



Overlapping area when gripper is fully closed:

