

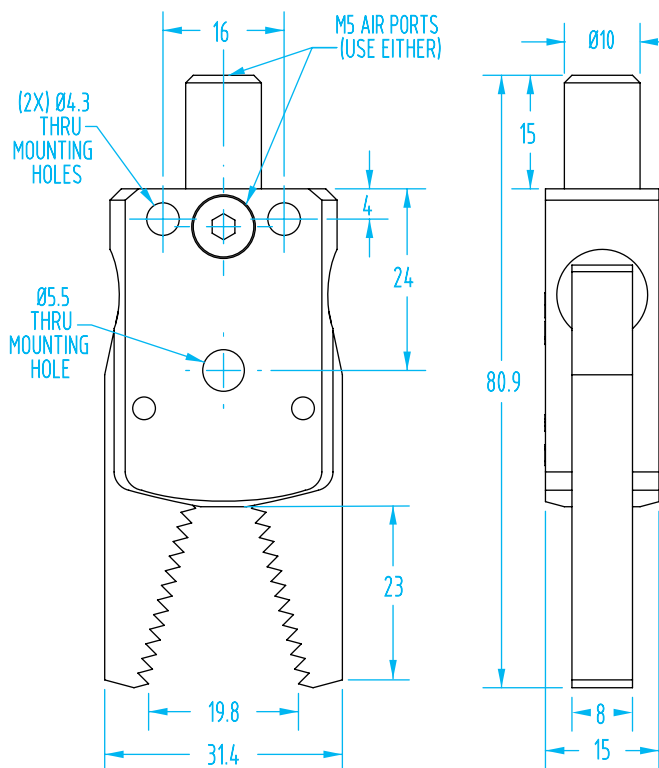
Mini Sprue Gripper – PB-0014 & PB-0015

(Dimensioned drawings shown full scale)



#1879
\$103.00

- Higher grip force than other similarly sized sprue grippers.
- Interlaced and serrated fingers hold small and medium sprues firmly.
- Angular, non-self-centering.
- Ø10mm diameter mounting post with M5 air port allows this gripper to be used with standard mounting and air connection components. Alternate M5 air port on front of gripper can be used.
- Replacement parts available online.



Quick#	Part#	Price	Operation	Applicable Sprue Ø	Closing Force at 25mm Tooling Length*	Weight
1879	PB-0014	\$103.00	Normally Open	3–9mm	14.5 lbf	48g
6473	GSG-PB-0015	\$145.00	Double Acting	3–9mm	11.0 lbf	48g

* The Closing Force listed is both jaws combined when supplied at 87psi. Tooling length is measured from jaw pivot point.

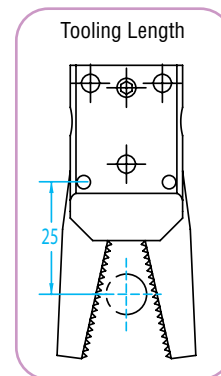
Use Quick#s for easy online ordering.



#6473
\$145.00



Replacement Parts for Gimatic and Senvex components are available on EMIcorp.com
Fingers, Pistons, O-rings, and more!



Fittings Available on page 1047

