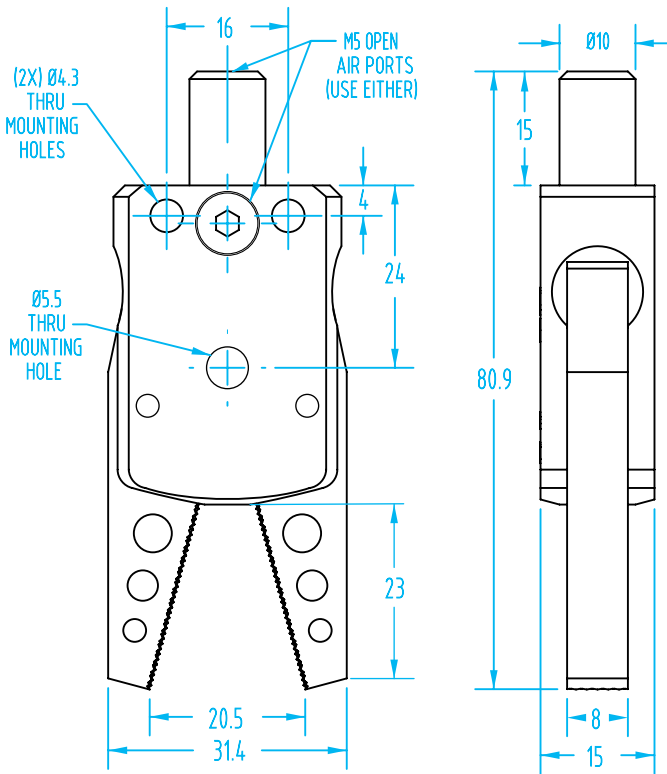
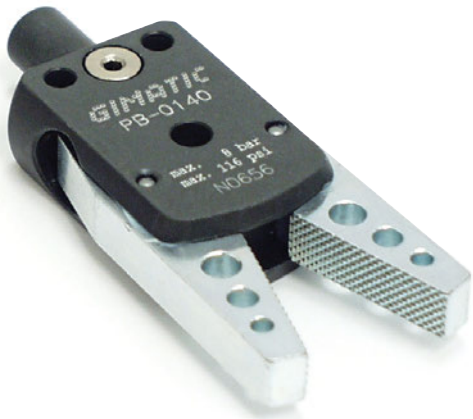


Mini Diamond-Textured Sprue Gripper – PB-0140

(Dimensioned drawings shown full scale)



- This is the same gripper as the PB-0014 except this gripper has diamond textured steel teeth. Holds small and medium sprues firmly.
- Angular, non-self-centering.
- Higher grip force than other similarly sized sprue grippers.
- 10mm diameter mounting post with M5 air port allows this gripper to be used with standard mounting and air connection components. Alternate M5 air port on front of gripper can be used.
- Replacement parts available online.

Quick#	Part#	Price	Style	Applicable Sprue Ø	Closing Force at 25mm Tooling Length*	Weight
6652	PB-0140	\$145.00	Diamond Textured Jaws	1–9mm	14.5 lbf	48g

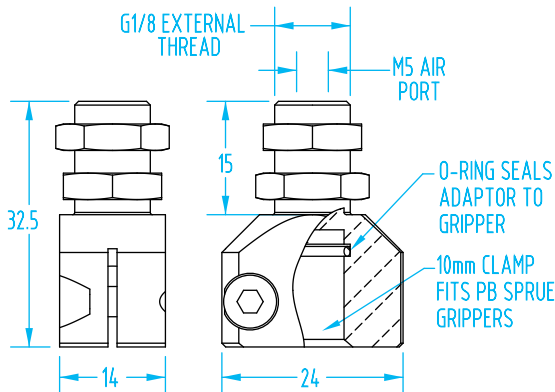
* The Closing Force listed is both jaws combined when supplied at 87psi. Tooling length is measured from jaw pivot point.

Fittings Available on page 1047

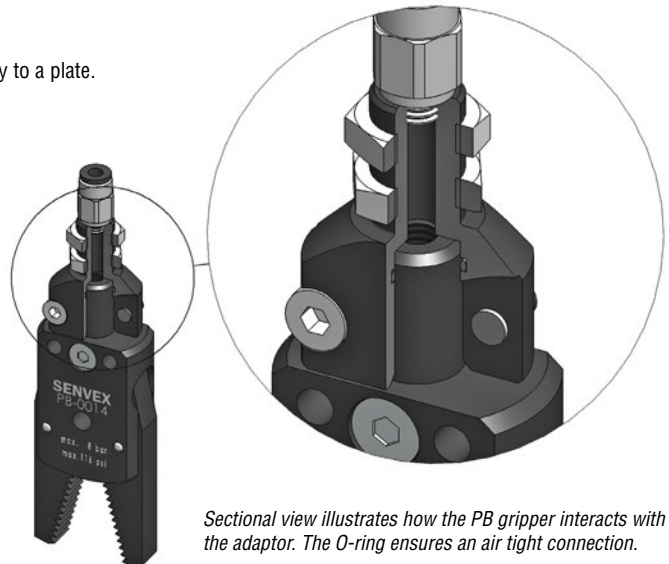


Mini Sprue Gripper Adaptor

- The mini sprue gripper adaptor allows for a more robust mounting option.
- The external threads can be used to mount PB grippers to brackets or directly to a plate.



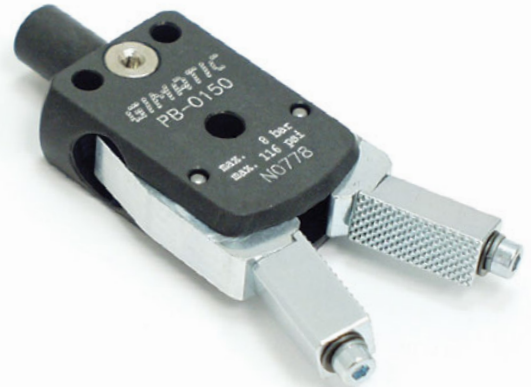
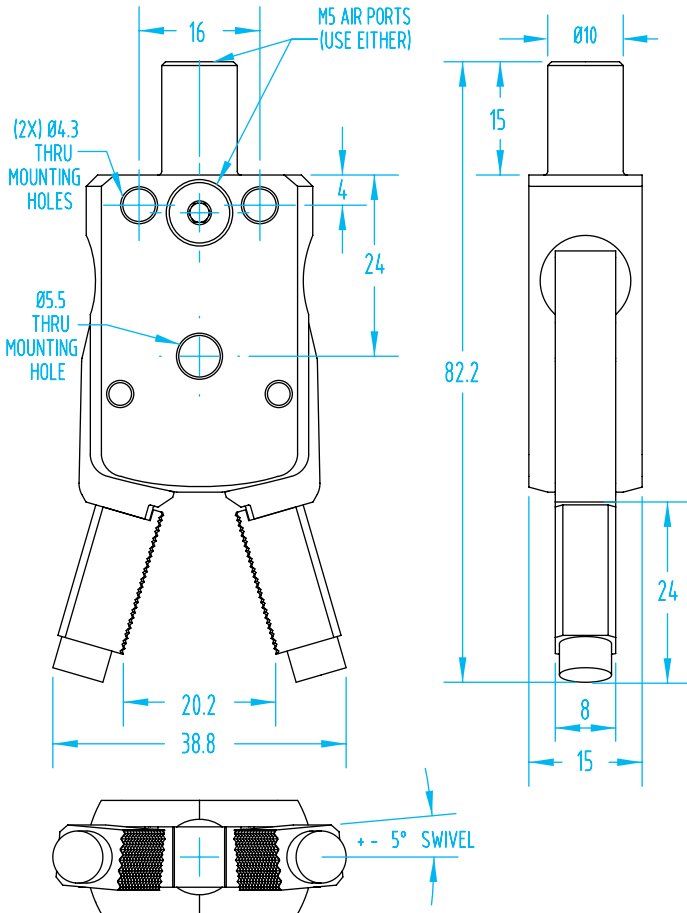
Quick#	Part#	Price	Weight
7249	AF10G18M	\$55.85	22g



Sectional view illustrates how the PB gripper interacts with the adaptor. The O-ring ensures an air tight connection.

Mini Diamond-Textured Sprue Gripper with Swivel Jaws – PB-0150

(Dimensioned drawings shown full scale)



- This is the same gripper as the PB-0014 except this gripper has diamond-textured steel teeth that swivel.
- Angular, non-self-centering.
- The teeth independently swivel $\pm 5^\circ$ each to conform to cone shaped sprues for more surface contact and secure grip.
- Higher grip force than other similarly sized sprue grippers.
- 10mm diameter mounting post with M5 air port allows this gripper to be used with standard mounting and air connection components. Alternate M5 air port on front of gripper can be used.
- Replacement parts available online.

Quick#	Part#	Price	Style	Applicable Sprue Ø	Closing Force at 25mm Tooling Length*	Weight
6653	PB-0150	\$228.00	Diamond Swivel-jaws	3–9mm	14.5 lbf	48g

* The Closing Force listed is both jaws combined when supplied at 87psi. Tooling length is measured from jaw pivot point.

