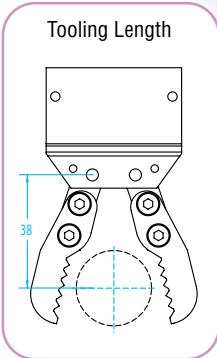
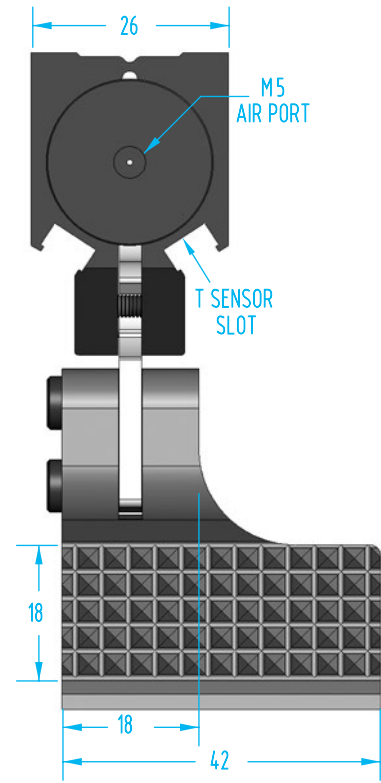
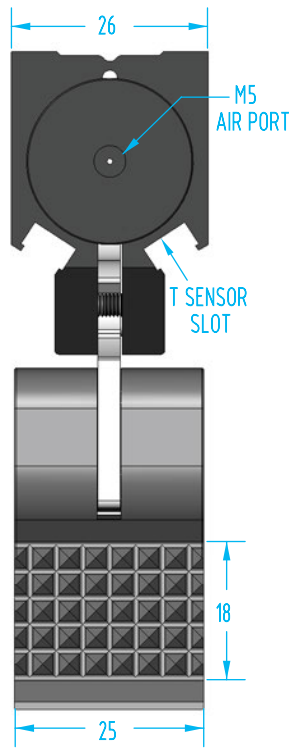
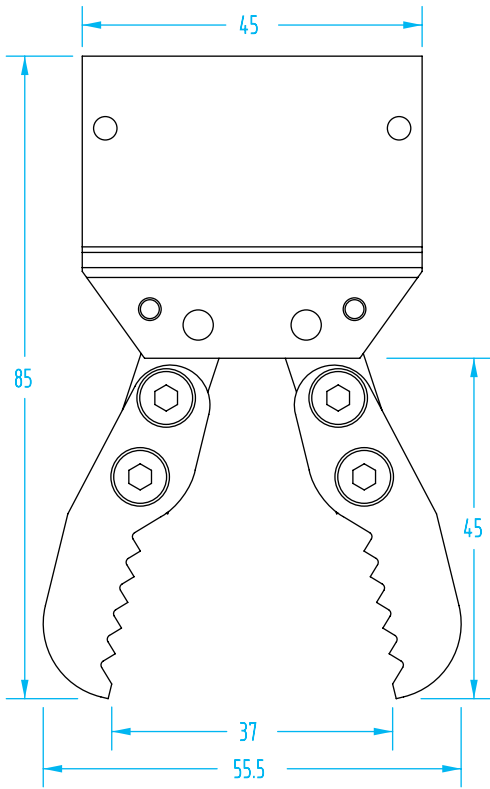


Large Diameter & Deep Reach – AA-21-LD & AA-21-DR

(Dimensioned drawings shown full scale)



Quick#	Part#	Price	Jaw Style	Operation	Applicable Sprue Ø	lbs. Force at 35mm Tooling Length*	Weight
6660	AA-21-LD-NO	\$259.00	Large Diameter	Normally Open	10–25mm	16.0 lbf	124g
6661	AA-21-LD	\$259.00		Double Acting	10–25mm	19.5 lbf	122g
6658	AA-21-DR-NO	\$290.00	Deep Reach	Normally Open	10–25mm	16.0 lbf	160g
6659	AA-21-DR	\$290.00		Double Acting	10–25mm	19.5 lbf	158g

Note: Order SL.. sensors separately, see page 454.

* Force when compressed air is supplied at 87psi. Tooling length is measured from jaw pivot point.