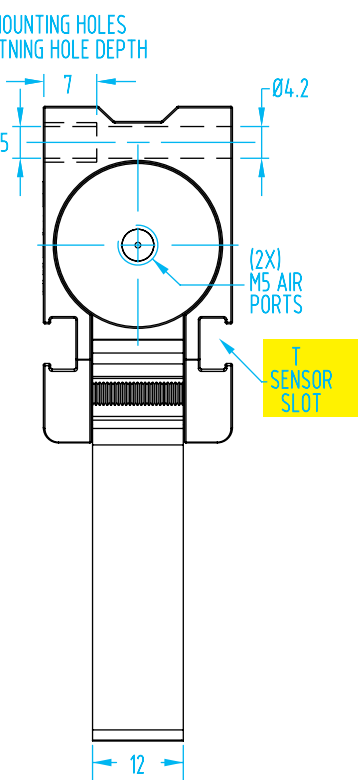
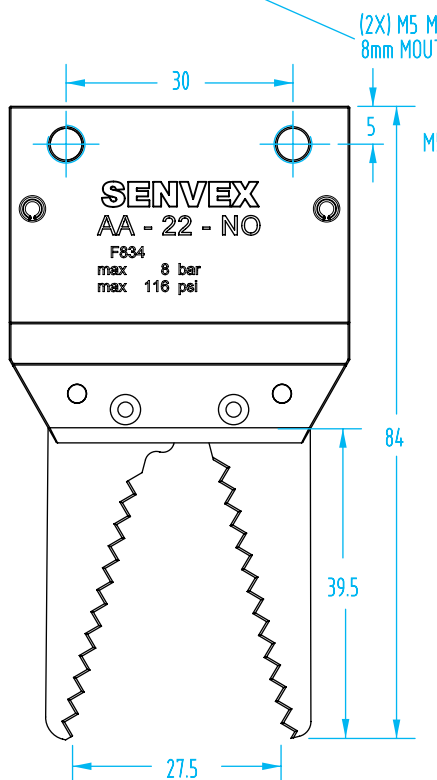
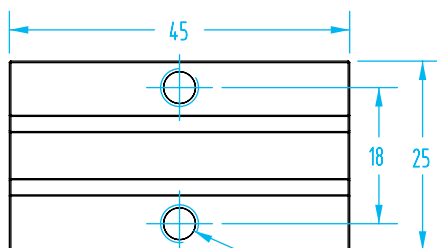


The Value Sprue Gripper – AA-22

(Dimensioned drawings shown full scale)



- Features high grip force in a compact size, light-weight gripper.
- Threaded holes on three faces provide for many mounting bracket options.
- Sprue fingers are made of anodized extruded aluminum. Replacement finger kits are available in original anodized aluminum. Replacement requires disassembly of the gripper.
- Interlaced and serrated fingers allow a wide range of sprue diameters to be gripped. Small and large diameter sprues can be gripped. Large diameter sprues are cradled and won't twist out.
- **NOTE:** This gripper is very sensitive to sensor positioning. Although sensing is possible with these grippers, we suggest customers wanting sensing use either the AA-20, AA-26, or AA-35 styles.

Quick#	Part#	Price	Operation	Applicable Sprue Ø	lbs. Force at 30mm Tooling Length*	Weight
1473	GSG-AA-22-NO	\$145.00	Normally Open	4–12mm	19.0 lbf	113g
1474	GSG-AA-22	\$145.00	Double Acting	4–12mm	22.5 lbf	112g

Order sensors separately See Sensor Reference Guide on page 1008 for a complete list of sensors for AA Grippers.

Quick#	Part#	Price	Operation	Sensor Slot	Wiring
792	SL4N225G	\$27.20	PNP sensor	T Sensor Slot	3-wire with lead, 2.5m long
6274	SL3N203G	\$31.16	PNP sensor		3-wire with M8 male connector, 0.3m long**
793	SL4M225G	\$27.20	NPN sensor		3-wire with lead, 2.5m long
6456	SL3M203G	\$31.16	NPN sensor		3-wire with M8 male connector, 0.3m long**
1882	SS4N225G	\$27.20	PNP sensor	C Sensor Slot	3-wire with lead, 2.5m long
6282	SS3N203G	\$31.16	PNP sensor		3-wire with M8 male connector, 0.3m long**
1883	SS4M225G	\$27.20	NPN sensor		3-wire with lead, 2.5m long
1884	SS3M203G	\$31.16	NPN sensor		3-wire with M8 male connector, 0.3m long**

* Force when compressed air is supplied at 87psi. Tooling length is measured from jaw pivot point.

** M8 Extension cables Quick#'s 2582 & 2583 available on page 985.

Replacement Fingers - priced per pair

Quick#	Part#	Material	Price
1475	GSG-AA-22-RF	Aluminum	\$33.25

