

Mounting Brackets for AA Grippers

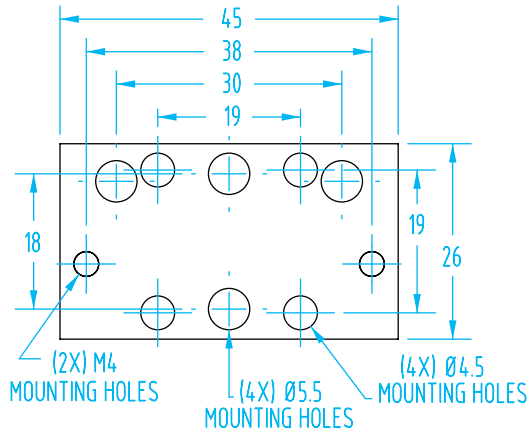
For AA-20, AA-21, AA-22, AA-23, AA-26 and AA-35 Grippers



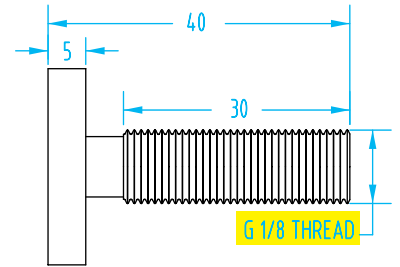
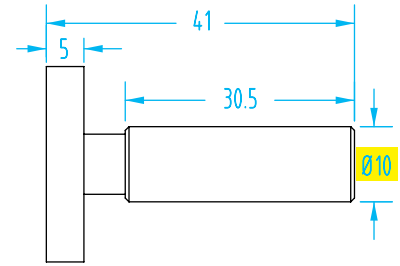
#5465



#1825



(Dimensioned drawings shown full scale)



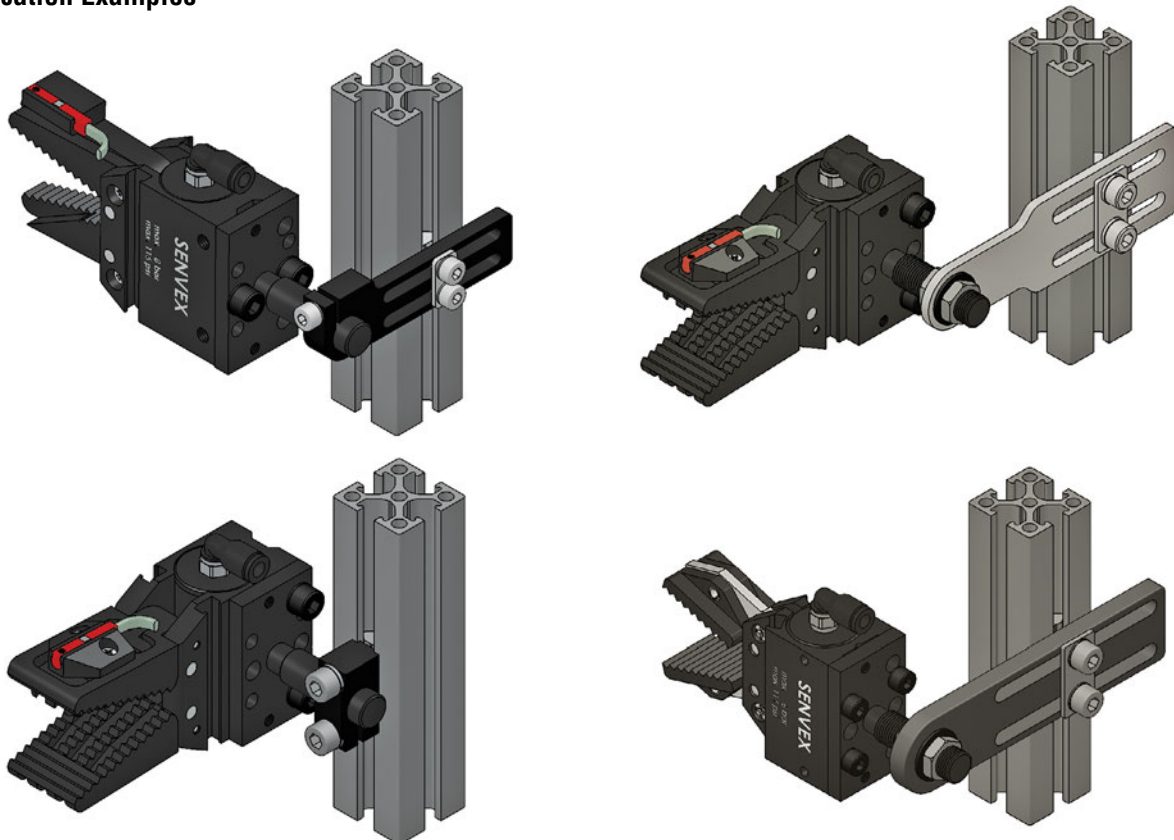
Gripper Mounting Bracket

Quick#	Part#	Style	Weight	Price
5465	GSG-SMMB-45	Clampable Ø10mm Shaft	26g	\$28.17
1825	GSC-TMB-45	Threaded G1/8" Shaft	26g	\$28.29

Order separately *See page 1076.*

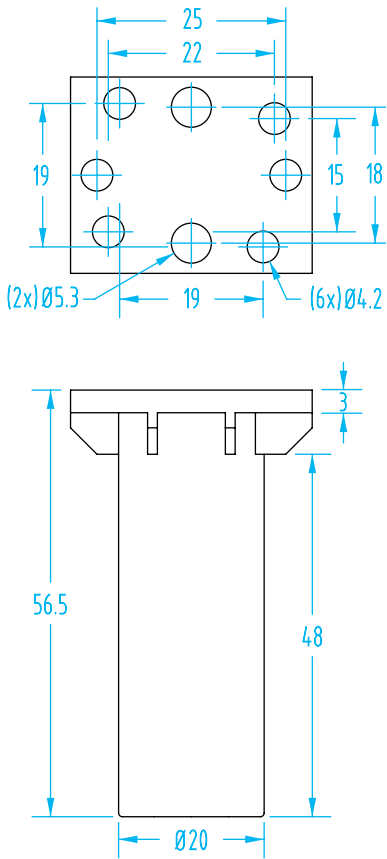
For AA-20 & AA-21:	4x M4x10mm screws (#834)
	4x M4 lock washers (#846)
For AA-22, AA-23, AA-26 & AA-35:	2x M5x10mm screws (#852)
	2x M5 lock washers (#865)

Application Examples

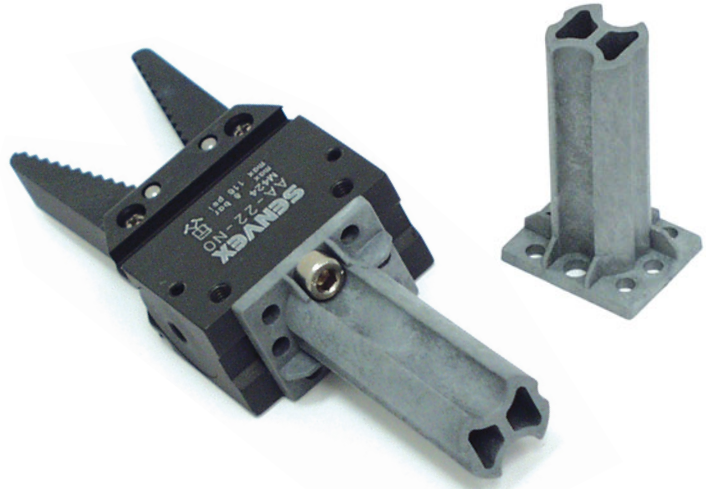


Mounting Brackets for AA Grippers

(Dimensioned drawings shown full scale)



For AA-20, AA-21, AA-22, AA-23, AA-26 & AA-35 Grippers



Composite Mounting Bracket

Quick#	Part#	Price	Use with:	Wt.
6375	MFP-A01	\$3.43	AA-20, AA-21, AA-22, AA-23, AA-26 & AA-35	26g
Order separately			<i>Made of GRP. See page 1076.</i>	
For AA-20 & AA-21:		4x M4x8mm screws (#833) 4x M4 lock washers (#846)		
For AA-22, AA-23, AA-26 & AA-35:		2x M5x8mm screws (#851) 2x M5 lock washers (#865)		

Also Available:

Mounting Brackets

Quick#	Part#	For	Wt	Price
798	GSG-SMB-45	AA-20 & AA-21	36g	\$19.87
5466	GSGRMB-M12	All AA- Grippers	24g	\$23.86
6736	I34K	All AA- Grippers	65g	\$34.82

Order hardware separately, see EMICorp.com for dimensional drawings & related items.



#6736



#5466



#5466 & VLR Extension



#798