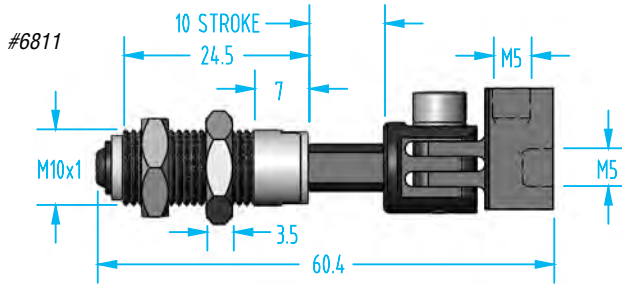


## Suspensions with Integrated Elbow Arms – VSET

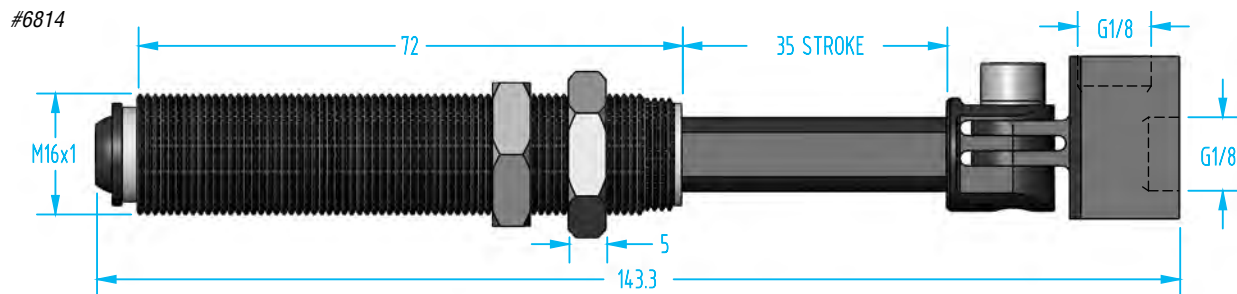
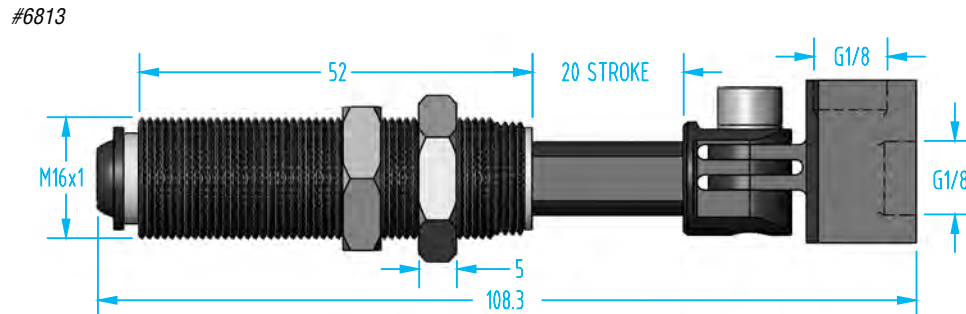
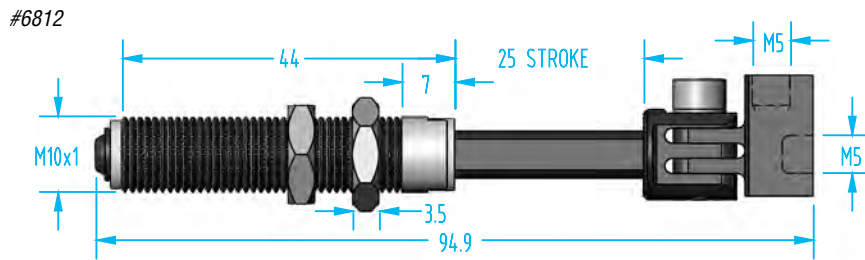
(Dimensioned drawings shown full scale)

- Adjustable angle from 0° and +/- 90°.
- Body and rod are made of anodized aluminum.
- Non-rotating, threaded body.
- We recommend using an appropriately sized lock washer with threaded body suspensions.



### New Design Changes!

New bushing and shaft design provides more reliable compensation.



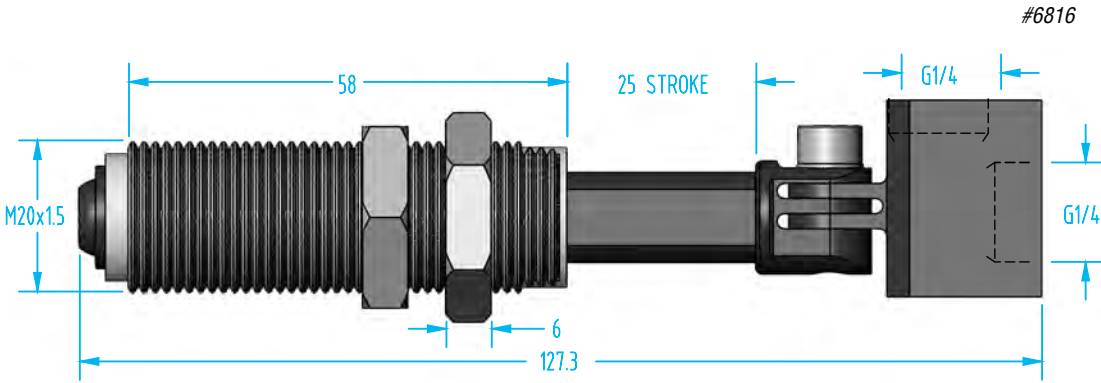
Quick#	Part#	Price	Air Port	Mount	Stroke	Wt.
6811	VSET1010F05	\$42.10	M5	M10x1	10mm	18g
6812	VSET1025F05	\$45.40	M5	M10x1	25mm	23g
6813	VSET1620F18	\$52.10	G1/8"	M16x1	20mm	57g
6814	VSET1635F18	\$55.60	G1/8"	M16x1	35mm	70g
6816	VSET2025F18	\$59.40	G1/8"	M20x1.5	25mm	88g
6815	VSET2025F14	\$59.40	G1/4"	M20x1.5	25mm	109g
6818	VSET2050F18	\$62.70	G1/8"	M20x1.5	50mm	125g
6817	VSET2050F14	\$62.70	G1/4"	M20x1.5	50mm	142g

### Lock Washers

Quick #	Part #	Description	Price
948	GSC-M10-LW	M10 Thin lock washer	\$0.20
939	GSC-M16-LW	M16 Thin lock washer	\$0.30
928	GSC-M20-LW	M20 Thin lock washer	\$1.00

### Suspensions with Integrated Elbow Arms – VSET

(Dimensioned drawings shown full scale)



Fittings Available on page 1043



Mounting Brackets Available on page 244

