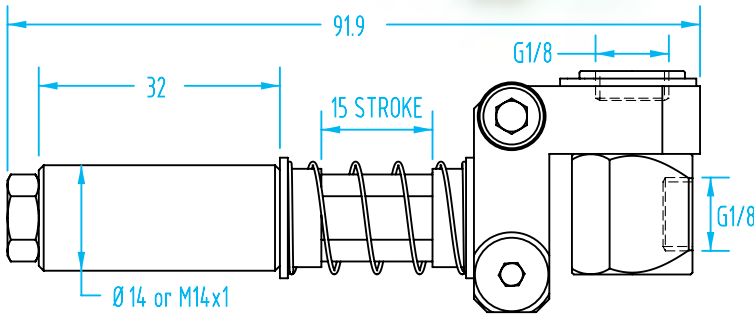
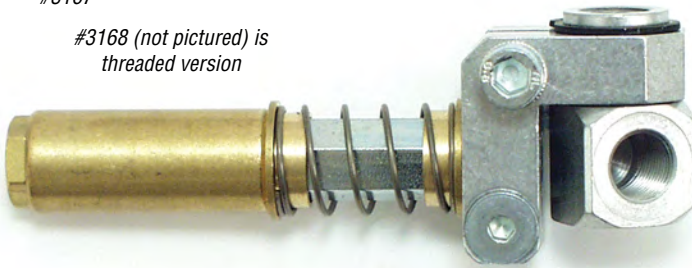


M14 / Ø14mm Suspensions

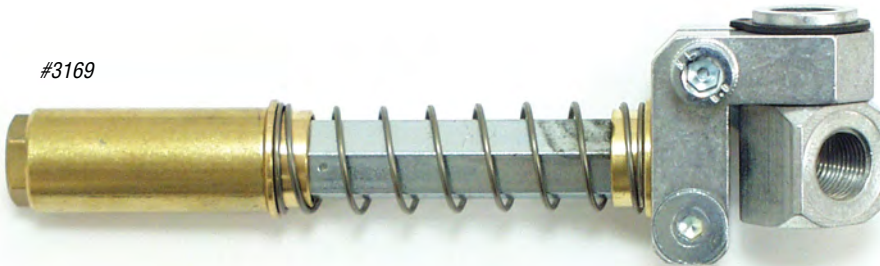
(Dimensioned drawings shown full scale)

#3167

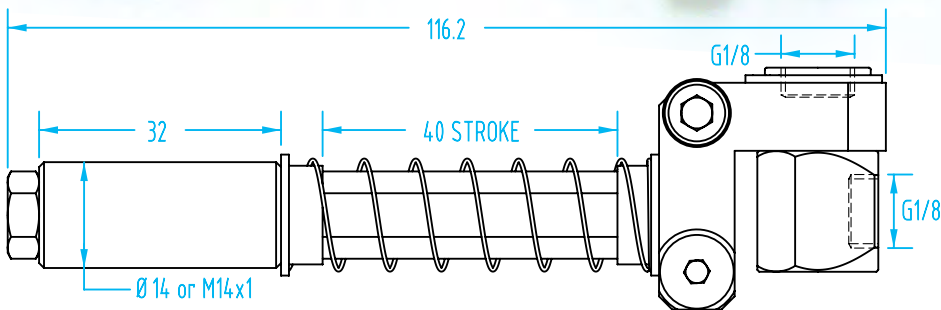
#3168 (not pictured) is threaded version



#3169



#3170



Quick#	Part#	>ASS< #	Style	Stroke	Weight	Price
3167	GGs14-C-15	1-360-09-00	Clampable, Non-rotate	15mm	81g	\$47.78
3168	GGs14-M-15	1-360-12-00	Threaded, Non-rotate	15mm	91g	\$49.35
3169	GGs14-C-40	1-360-15-00	Clampable, Non-rotate	40mm	90g	\$51.98
3170	GGs14-M-40	1-360-18-00	Threaded, Non-rotate	40mm	101g	\$53.03

We recommend using an appropriately sized lock washer with threaded body suspensions, see page 1076.

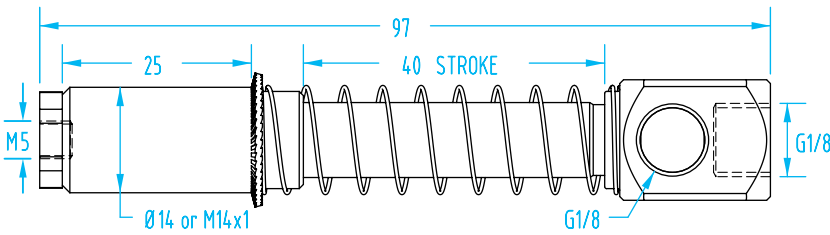
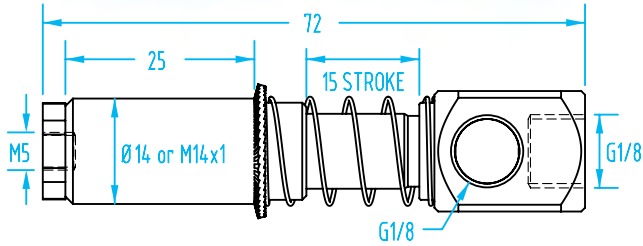
M14 / Ø14mm Suspensions

(Dimensioned drawings shown full scale)

#3601



#3606



- Two options for fitting placement. It can either be fed through the side port (plugged initially) or it can pass through the vacuum channel which extends through the suspension body.



Fittings Available on page 1043



Mounting Brackets Available on page 244

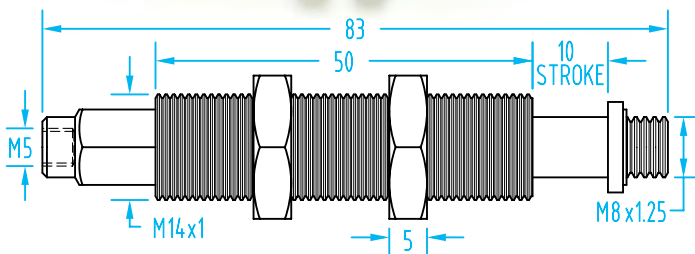


Quick#	Part#	>ASS< #	Style	Stroke	Weight	Price
3601	GAF14-U-15	1-356-02-00	Clampable, Rotate	15mm	51g	\$39.90
3606	GAF14-M-15	1-356-11-00	Threaded, Rotate	15mm	69g	\$45.15
3602	GAF14-U-40	1-356-03-00	Clampable, Rotate	40mm	55g	\$43.58
3608	GAF14-M-40	1-356-12-00	Threaded, Rotate	40mm	73g	\$54.08

#339



#340



Quick#	Part#	Style	Stroke	Weight	Price
339	GSS-88-M14M5	Rotate	10mm	69g	\$18.39
340	GSS-88R-M14M5	Non-Rotate	10mm	67g	\$28.69