

Hithane® – 1.5 Bellows

(Shown Actual Size)



Hithane - Time Proven!

This hybrid non-marking cup combines the high-temperature and flexibility properties of silicone with the wear resistance and non-marking properties of polyurethane.

It contains no silicone so it is suitable to be used with parts that will be painted.

Hithane is designed not to leave residue, mold release marks, or ghost marks on hot, injection molded plastic parts.

Hithane Vacuum Cup Properties

Material	Color	Max Temp.	Durometer
Hithane	Blue	320°F	60°

See page 332–333 for nipple dimensions.

Cup Ø	Material	Quick#	Part#	Price
5mm	Hithane	5988	GSV-BHT-5	\$11.48
Nipple	Male M5	258	GSF-BS-M506	\$0.77
	Female M5	1070	ZPT1B5	\$3.25

Cup Ø	Material	Quick#	Part#	Price
11mm	Hithane	5989	GSV-BHT-11	\$7.17
Nipple	Male M5	408	GSF-N16-M5M	\$3.52
	Female M5	5431	GSF-HTN1-M5F	\$3.59

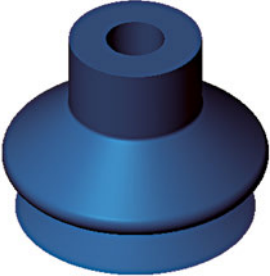
Cup Ø	Material	Quick#	Part#	Price
14mm	Hithane	1651	GSV-BHT-14	\$6.34
Nipple	Male M5	408	GSF-N16-M5M	\$3.52
	Female M5	5431	GSF-HTN1-M5F	\$3.59
	Male G1/8"	1604	GSF-PFN-G8M	\$3.99
	Female G1/8"	1603	GSF-PFN-G8F	\$3.99

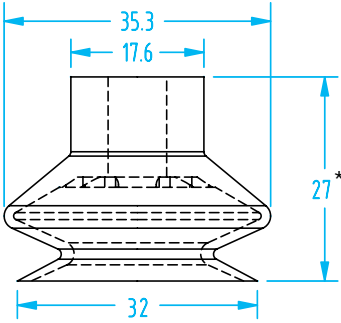
Cup Ø	Material	Quick#	Part#	Price
20mm	Hithane	1652	GSV-BHT-20	\$7.69
Nipple	Male M5	408	GSF-N16-M5M	\$3.52
	Female M5	5431	GSF-HTN1-M5F	\$3.59
	Male G1/8"	1604	GSF-PFN-G8M	\$3.99
	Female G1/8"	1603	GSF-PFN-G8F	\$3.99

Cup Ø	Material	Quick#	Part#	Price
25mm	Hithane	1653	GSV-BHT-25	\$7.81
Nipple	Male M5	408	GSF-N16-M5M	\$3.52
	Female M5	5431	GSF-HTN1-M5F	\$3.59
	Male G1/8"	1604	GSF-PFN-G8M	\$3.99
	Female G1/8"	1603	GSF-PFN-G8F	\$3.99

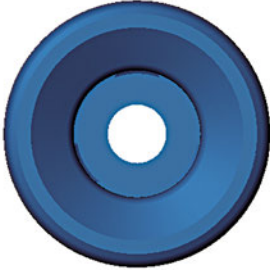
Hithane® – 1.5 Bellows

(Shown Actual Size)

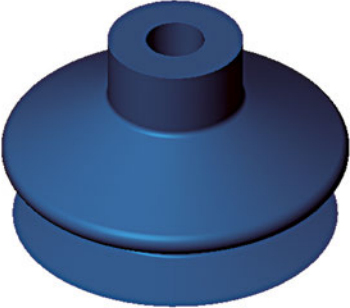


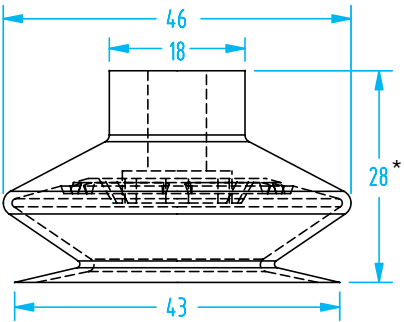


* 19mm Compressed




Cup Ø	Material	Quick#	Part#	Price
33mm	Hithane	1654	GSV-BHT-33	\$10.66
Nipple	Female G1/8"	5432	GSF-HTN1-G8F	\$3.67
	Male G1/8"	5433	GSF-HTN1-G8M	\$3.67
	Female G1/4"	1744	GSF-HTN4-G4F	\$6.61
	Male G1/4"	1743	GSF-HTN4-G4M	\$6.77

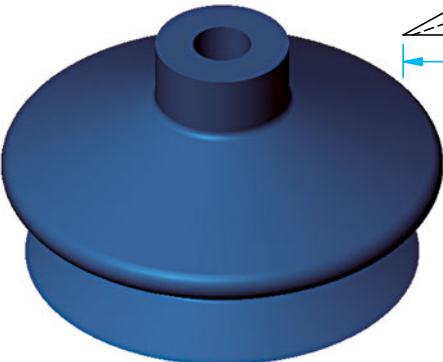


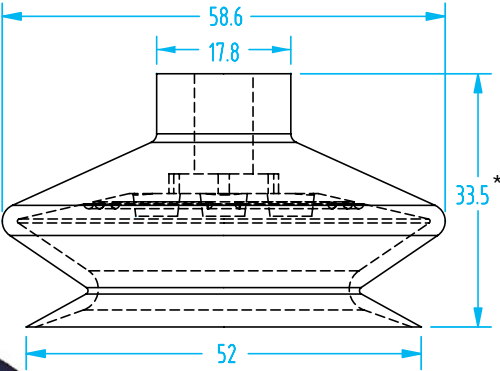


* 19mm Compressed

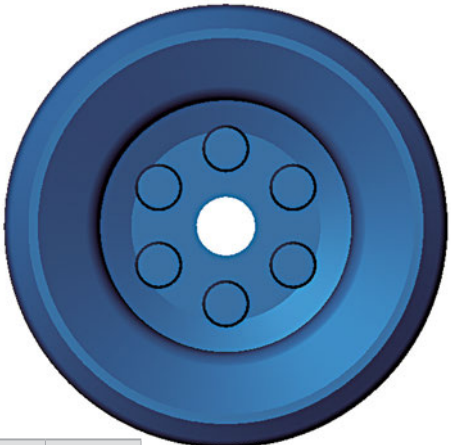


Cup Ø	Material	Quick#	Part#	Price
43mm	Hithane	1655	GSV-BHT-43	\$11.77
Nipple	Female G1/8"	5432	GSF-HTN1-G8F	\$3.67
	Male G1/8"	5433	GSF-HTN1-G8M	\$3.67
	Female G1/4"	1744	GSF-HTN4-G4F	\$6.61
	Male G1/4"	1743	GSF-HTN4-G4M	\$6.77





* 21mm Compressed



Cup Ø	Material	Quick#	Part#	Price
53mm	Hithane	1656	GSV-BHT-53	\$12.79
Nipple	Female G1/8"	5432	GSF-HTN1-G8F	\$3.67
	Male G1/8"	5433	GSF-HTN1-G8M	\$3.67
	Female G1/4"	1744	GSF-HTN4-G4F	\$6.61
	Male G1/4"	1743	GSF-HTN4-G4M	\$6.77