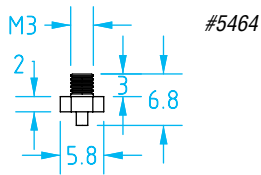


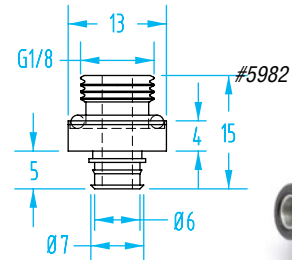
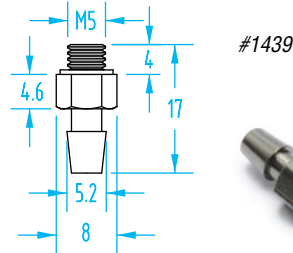
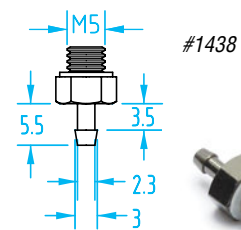
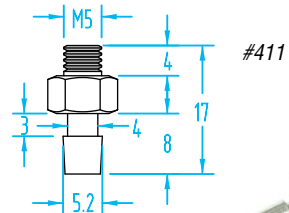
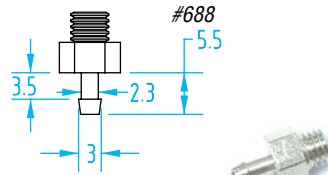
OEM, ShorTec & PIAB – Nipples

(Shown Actual Size)

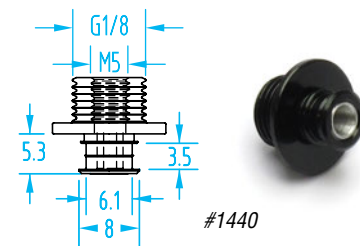
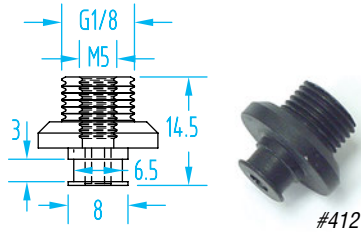
M3



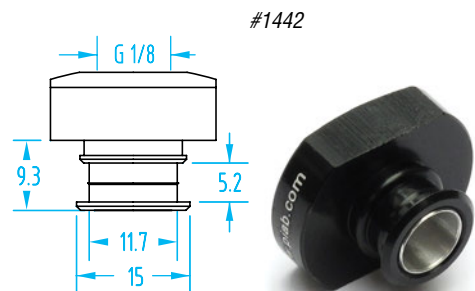
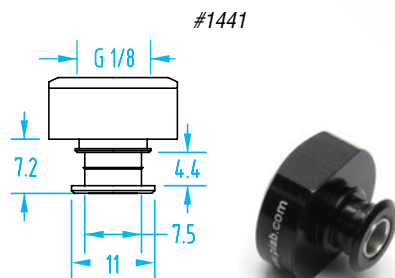
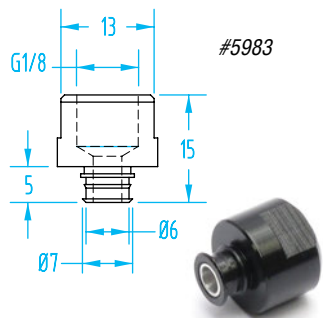
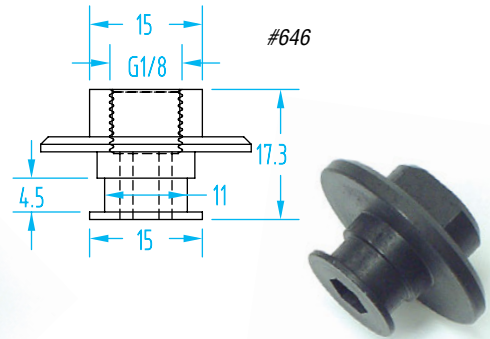
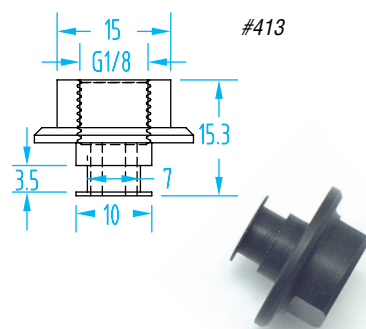
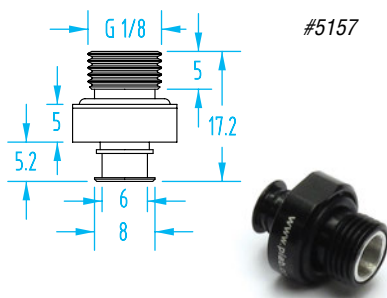
M5



M5 Female / G1/8" Male



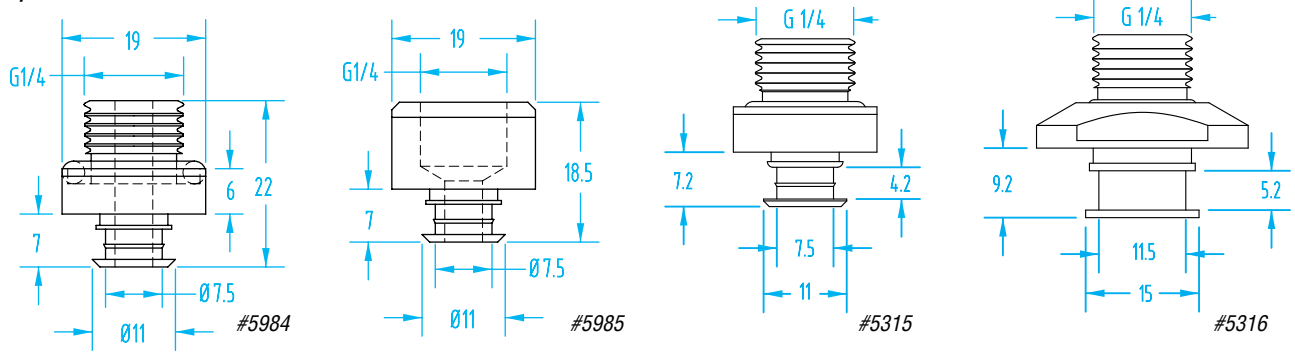
G1/8"



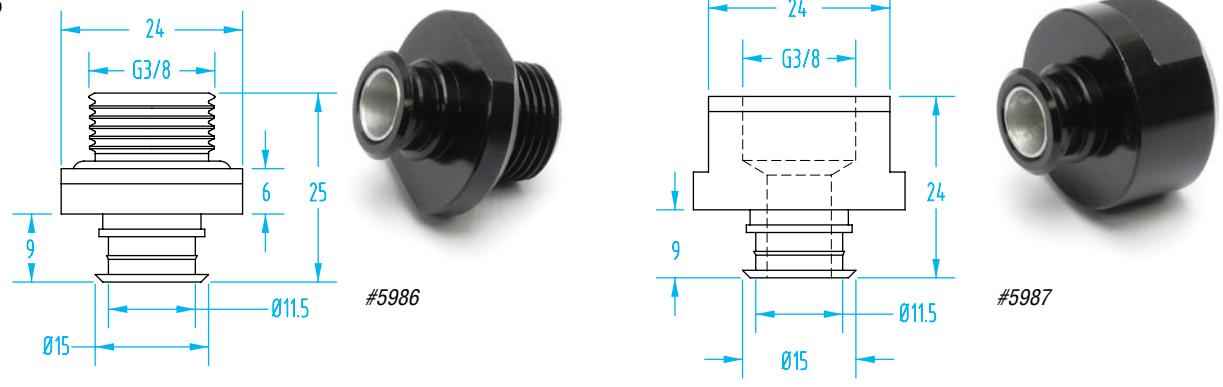
OEM, ShorTec & PIAB – Nipples

(Shown Actual Size)

G1/4"



G3/8"



Nipples

Quick#	Part#	Nipple	Thread	Vacuum Cup Ø	Price
5174	GSV-01AA	Male	M2.5	2–3mm	\$2.71
5464	GSF-MN15-M3	Male	M3	2–3mm	\$5.59
688	GSF-NF11-M5	Male	M5	5–7mm	\$2.31
411	GSF-NF1-M5	Male	M5	15mm	\$1.75
1438	GSV-01AB	Male	M5	4–8mm	\$1.85
1439	GSV-01AC	Male	M5	10–15mm	\$1.85
412	GSF-NF2-G8M5	Male/Female	G1/8" /M5	20–30mm	\$5.25
1440	GSV-02AF	Male/Female	G1/8" /M5	20–30mm	\$5.14
5982	F02-G8M	Male	G1/8"	20–30mm	\$3.25
5157	GSV-02AB	Male	G1/8"	20–30mm	\$5.44
5983	F02-G8F	Female	G1/8"	20–30mm	\$3.25
1441	GSV-04AG	Female	G1/8"	30–40mm	\$6.61
1443	GSV-04AI	Male	G1/8"	30–40mm	\$6.94
413	GSF-NF3-G8	Female	G1/8"	40mm	\$6.56
1442	GSV-05AG	Female	G1/8"	50mm	\$8.14
1444	GSV-05AI	Male	G1/8"	50mm	\$6.94
646	GSF-NF5-G8F	Female	G1/8"	50mm	\$5.78
2172	GSV-07UA	Female	G1/8"	75mm	\$31.24
5984	F03-G4M	Male	G1/4"	30–40mm	\$4.00
5985	F03-G4F	Female	G1/4"	30–40mm	\$4.00
5315	GSV-04AB	Male	G1/4"	30–40mm	\$7.11
5316	GSV-05AB	Male	G1/4"	50mm	\$8.77
5986	F04-G3M	Male	G3/8"	50mm	\$4.40
5987	F04-G3F	Female	G3/8"	50mm	\$4.40

#2172

Shown at a reduced size

Screen & screws included with #2172

Reference our Compatibility Chart on pages 358–359 to determine which nipple to use for OEM, ShorTec & PIAB Vacuum Cups!

OEM, ShorTec & PIAB – Nipple Compatibility

		Quick#	5464	688	1438	411	1439	412	1440	5157	5982	5983
		Brand	Piab	OEM	Piab	OEM	Piab	OEM	Piab	Piab	ShorTec	ShorTec
		Thread	M3-M	M5-M	M5-M	M5-M	M5-M	G1/8-M / M5-F	G1/8-M / M5-F	G1/8-M	G1/8-M	G1/8-F
2mm	Piab (flat-smooth)		✓									
3mm	Piab (flat-smooth)		✓									
4mm	Piab (flat-smooth)			✓	✓							
5mm	Piab (1.5 B)			✓	✓							
6mm	Piab (flat-smooth)			✓	✓							
8mm	Piab (flat-smooth, 1.5 B)			✓	✓							
10mm	Piab (flat, 1.5 B, Duraflex)					✓	✓					
	ShorTec (1.5 B)					✓	✓					
	ShorTec (2.5 B)					✓	✓					
11mm	OEM (1.5 B)				✓	✓						
15mm	Piab (flat, 1.5 B, deep, 1.5 B Duraflex)				✓	✓						
	ShorTec (1.5 B)				✓	✓						
16mm	OEM (1.5 B)				✓	✓						
20mm	Piab (flat, 1.5 B, deep, Duraflex)							✓	✓	✓	✓	✓
	OEM (1.5 B)							✓	✓	✓	✓	✓
	ShorTec (1.5 B, 2.5 B)							✓	✓	✓	✓	✓
25mm	Piab (flat-ribbed, Duraflex)							✓	✓	✓	✓	✓
	OEM (flat-ribbed)							✓	✓	✓	✓	✓
	ShorTec (1.5 B)							✓	✓	✓	✓	✓
	ShorTec (2.5 B with large lip)							✓	✓	✓	✓	✓
30mm	Piab (flat, 1.5 B, deep)							✓	✓	✓	✓	✓
	OEM (flat-ribbed)							✓	✓	✓	✓	✓
35mm	ShorTec (2.5 B with large lip)							✓	✓	✓	✓	✓
30mm	ShorTec (1.5 B, 2.5 B)											
30mm*	Piab (1.5 B - 2nd generation)											
35mm	Piab (Duraflex)											
	ShorTec (1.5 B)											
40mm	Piab (flat, 1.5 B)											
	OEM (1.5 B)											
	ShorTec (1.5 B, 2.5 B)											
45mm	ShorTec (2.5 B with large lip)											
50mm	Piab (flat, 1.5 B, deep)											
	OEM (1.5 B)											
	ShorTec (1.5 B, 2.5 B)											
52mm	Piab (Duraflex)											
55mm	ShorTec (2.5 B with large lip)											

* Piab 2nd generation cup takes a larger fitting. B= Bellow. Duraflex refers to the 1.5 Bellow and 2.5 Bellow Dual Durometer cups unless noted.

OEM, ShorTec & PIAB – Nipple Compatibility

		Quick#	413	1441	5984	5985	5315	5316	646	1442	5986	5987
		Brand	OEM	Piab	ShorTec	ShorTec	PIAB	PIAB	OEM	Piab	ShorTec	ShorTec
		Thread	G1/8-F	G1/8-F	G1/4-M	G1/4-F	G1/4-M	G1/4-M	G1/8-F	G1/8-F	G3/8-M	G3/8-F
2mm	Piab (flat-smooth)											
3mm	Piab (flat-smooth)											
4mm	Piab (flat-smooth)											
5mm	Piab (1.5 B)											
6mm	Piab (flat-smooth)											
8mm	Piab (flat-smooth, 1.5 B)											
10mm	Piab (flat, 1.5 B, Duraflex)											
	ShorTec (1.5 B)											
	ShorTec (2.5 B)											
11mm	OEM (1.5 B)											
15mm	Piab (flat, 1.5 B, deep, 1.5 B Duraflex)											
	ShorTec (1.5 B)											
16mm	OEM (1.5 B)											
20mm	Piab (flat, 1.5 B, deep, Duraflex)											
	OEM (1.5 B)											
	ShorTec (1.5 B, 2.5 B)											
25mm	Piab (flat-ribbed, Duraflex)											
	OEM (flat-ribbed)											
	ShorTec (1.5 B)											
	ShorTec (2.5 B with large lip)											
30mm	Piab (flat, 1.5 B, deep)											
	OEM (flat-ribbed)											
35mm	ShorTec (2.5 B with large lip)											
30mm	ShorTec (1.5 B, 2.5 B)	✓	✓	✓	✓	✓						
30mm*	Piab (1.5 B - 2nd generation)	✓	✓	✓	✓	✓						
35mm	Piab (Duraflex)	✓	✓	✓	✓	✓						
	ShorTec (1.5 B)	✓	✓	✓	✓	✓						
40mm	Piab (flat, 1.5 B)	✓	✓	✓	✓	✓						
	OEM (1.5 B)	✓	✓	✓	✓	✓						
	ShorTec (1.5 B, 2.5 B)	✓	✓	✓	✓	✓						
45mm	ShorTec (2.5 B with large lip)	✓	✓	✓	✓	✓						
50mm	Piab (flat, 1.5 B, deep)						✓	✓	✓	✓	✓	✓
	OEM (1.5 B)						✓	✓	✓	✓	✓	✓
	ShorTec (1.5 B, 2.5 B)						✓	✓	✓	✓	✓	✓
52mm	Piab (Duraflex)						✓	✓	✓	✓	✓	✓
55mm	ShorTec (2.5 B with large lip)						✓	✓	✓	✓	✓	✓

* Piab 2nd generation cup takes a larger fitting. B= Bellow. Duraflex refers to the 1.5 Bellow and 2.5 Bellow Dual Durometer cups unless noted.