

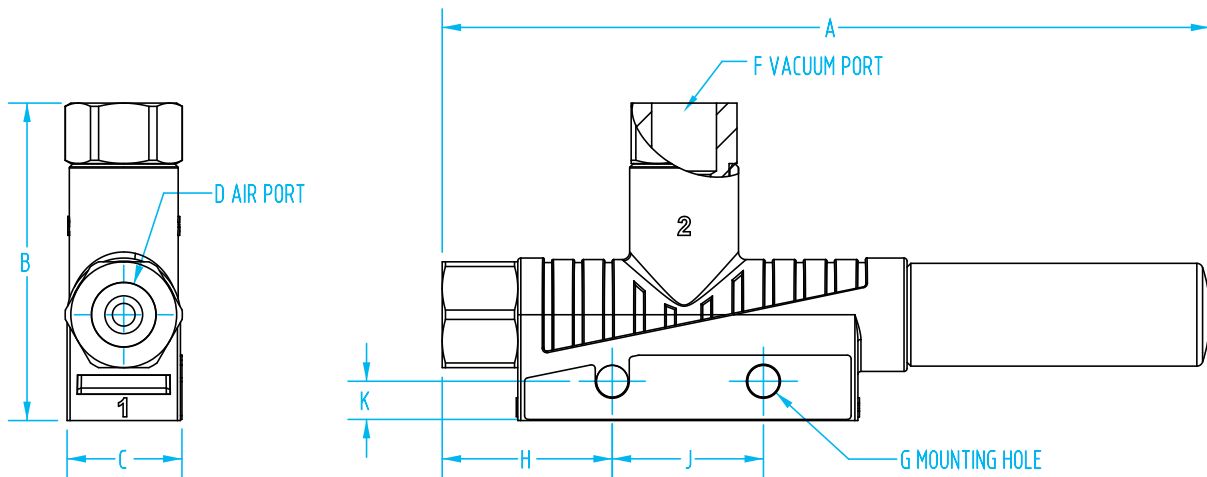
Vacuum Generators (with Silencer)

- One-piece housing made of light, impact-resistant plastic.
- Connection of compressed air and vacuum with threaded ports.
- Vacuum generator with single nozzle, available in three power ratings, from 0.7 to 1.5mm.
- Can be fixed horizontal with mounting holes or vertical with the base on a mounting plate.
- Operating temperature: 32°–140°F.
- Operating pressure: 43.5–87psi (Optimal pressure: 65psi)



Quick#	Part#	Price	Max Vacuum Level*	Max Suction Flow*	Air Consumption*	Standard Supply Pressure	Max Operating Pressure	Thread	Overall Length	Wt
2033	SBP-07-G01-SDA	\$50.19	85%	0.57 SCFM	0.78 SCFM	65 psi	87 psi	M5	74mm	7.5g
2034	SBP-10-G02-SDA	\$52.08		1.33 SCFM	1.70 SCFM			G1/8"	102mm	22g
2035	SBP-15-G02-SDA	\$56.31		2.51 SCFM	3.71 SCFM			G1/8"	102mm	22g

*Values listed are achieved when supplied the listed standard supply pressure.



	A	B	C	D	F	G	H	J	K
2033	74	31	10	M5	M5	4.2	17.5	20	5.2
2034	102	42	15	G1/8"	G1/8"	4.2	22.5	20	5.2
2035	102	42	15	G1/8"	G1/8"	4.2	22.5	20	5.2