

Packaging Silicone Vacuum Cups – Coval FlowPack FPCA

FlowPack Cups are fully dedicated to handling packaging. A real technological breakthrough for a constantly evolving packaging method.

- Thin and wavy lips that perfectly mold to the packaging, whatever the shape.
- Internal cleats that allow for optimized vacuum while preventing any crushing and strengthen the hold on the product being handled.
- Fittings featuring a lateral vacuum distributor that prevent any loss in efficiency when the product is held.
- Assembly of cup and fitting required.
- Food-grade silicone and plastic insert meets FDA and CE standards.

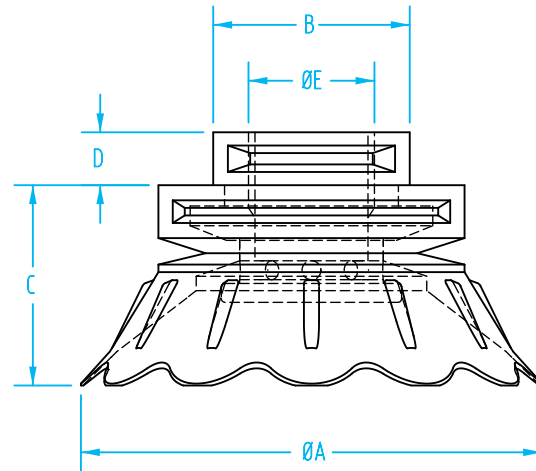
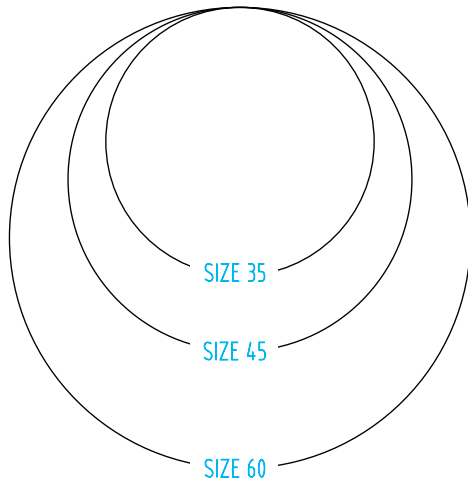
FlowPack Vacuum Cup Properties

Material	Color	Max Temp.	Durometer
Silicone	Light blue	428°F	35°
Silicone	Blue	428°F	50°



Packaging Silicone Vacuum Cups – Coval FlowPack FPCA

(Dimensioned drawings shown full scale)



- CU
- QC
- VG
- VC**
- VA
- SG
- GR
- MT
- AC
- CS
- CC

Quick#	Part#	ØA Diameter Cup	ØB (mm)	C (mm)	D (mm)	E (Nipple)	Color	Price	
8601	FPCA-35-35S-G14F	Ø35.5mm	19	28.5	7	Includes Female G1/4"	Light Blue	\$54.85	
8602	FPCA-35-50S-G14F		19	28.5	7		Blue	\$54.85	
8603	FPC-35-35S		-	28.5	-	Requires Female G1/4"	Light Blue	\$21.95	
8604	FPC-35-50S		-	28.5	-		Blue	\$21.95	
8605	FPN-35-G14F	Female G1/4" Nipple							\$13.20
8606	FPI-FPC-35	Plastic Insert for Ø35mm FlowPack Cup							\$19.75
8607	FPCA-45-35S-G38F	Ø45.5mm	26	23	7	Includes Female G3/8"	Light Blue	\$47.80	
8608	FPCA-45-50S-G38F		26	23	7		Blue	\$47.80	
8609	FPC-45-35S		-	23	-	Requires Female G3/8"	Light Blue	\$16.85	
8610	FPC-45-50S		-	23	-		Blue	\$16.85	
8611	FPN-45-60-G38F	Female G3/8" Nipple							\$31.00
8612	FPCA-60-35S-G38F	Ø61.5mm	26	26.5	7	Includes Female G3/8"	Light Blue	\$54.85	
8613	FPCA-60-50S-G38F		26	26.5	7		Blue	\$54.85	
8614	FPC-60-35S		-	26.5	-	Requires Female G3/8"	Light Blue	\$21.95	
8615	FPC-60-50S		-	26.5	-		Blue	\$21.95	
8611	FPN-45-60-G38F	Female G3/8" Nipple							\$31.00

Use Quick#s for easy online ordering.

Packaging Silicone Vacuum Cups – Coval FlowPack FPCA



FlowPack Cups are fully dedicated to handling packaging. A real technological breakthrough for a constantly evolving packaging method.

- Thin and wavy lips that perfectly mold to the packaging, whatever the shape.
- Internal cleats that allow for optimized vacuum while preventing any crushing and strengthen the hold on the product being handled.
- Fittings featuring a lateral vacuum distributor that prevent any loss in efficiency when the product is held.
- Assembly of cup and fitting required.
- Food-grade silicone and plastic insert meets FDA and CE standards.

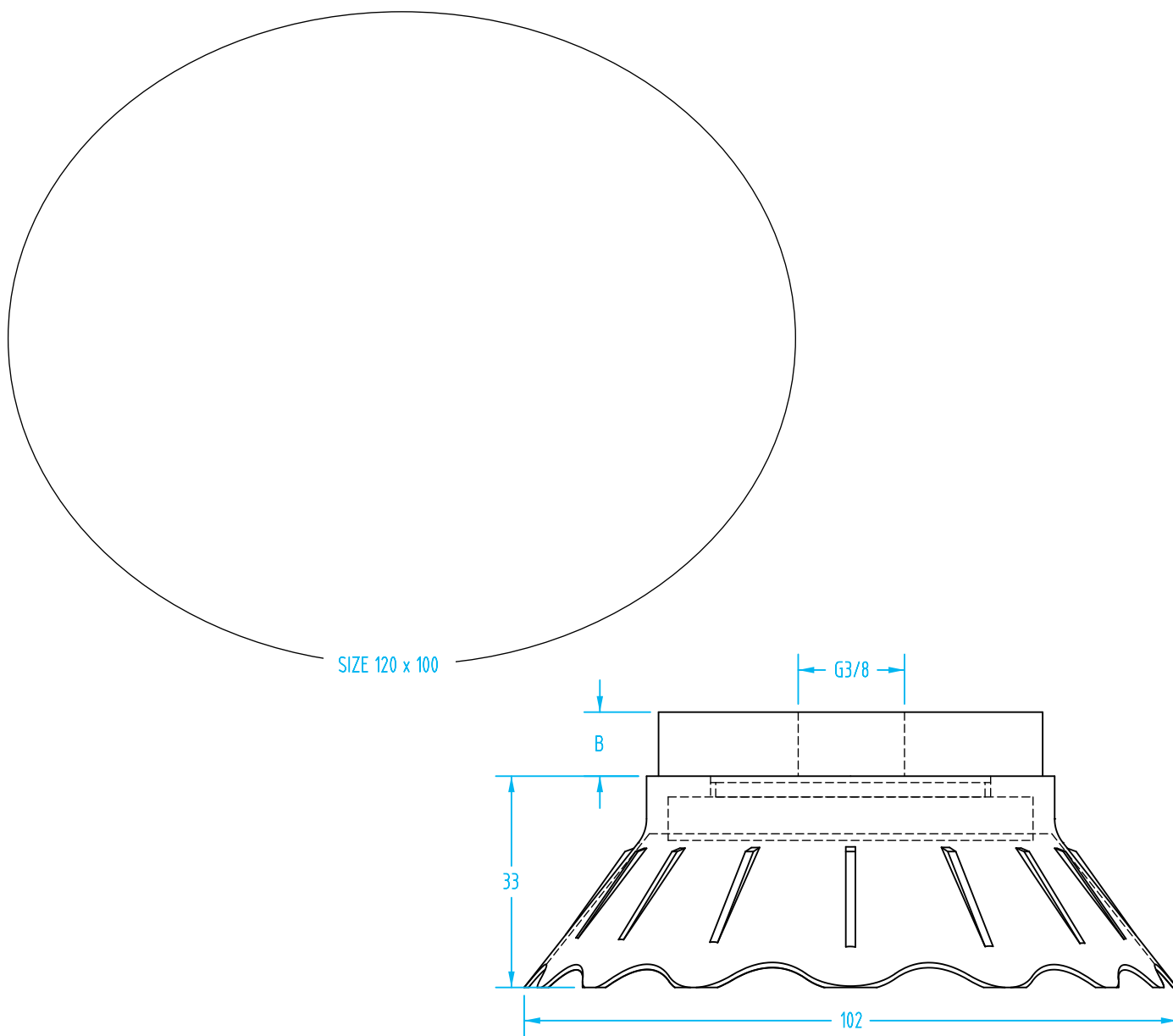
FlowPack Vacuum Cup Properties

Material	Color	Max Temp.	Durometer
Silicone	Light blue	428°F	35°
Silicone	Blue	428°F	50°



Packaging Silicone Vacuum Cups – Coval FlowPack FPCA

(Dimensioned drawings shown full scale)



- CU
- QC
- VG
- VC**
- VA
- SG
- GR
- MT
- AC
- CS
- CC

Quick#	Part#	ØDiameter	B (mm)	Nipple	Color	Price
8616	FPCA-120100-35S-G38F	123mm x 102mm	10	Includes Female G3/8"	Light Blue	\$132.00
8617	FPCA-120100-50S-G38F				Blue	\$132.00
8618	FPC-120100-35S		-	Requires Female G3/8"	Light Blue	\$65.85
8619	FPC-120100-50S				Blue	\$65.85
8620	FPN-120100-G38F	Female G3/8" for 120x100mm cup				\$44.60
8621	FPN-120100-BP	(2x) M4x16 SS Screws for Quick# 8620				\$21.95