

## Interface Plate for Modular Profile Kit

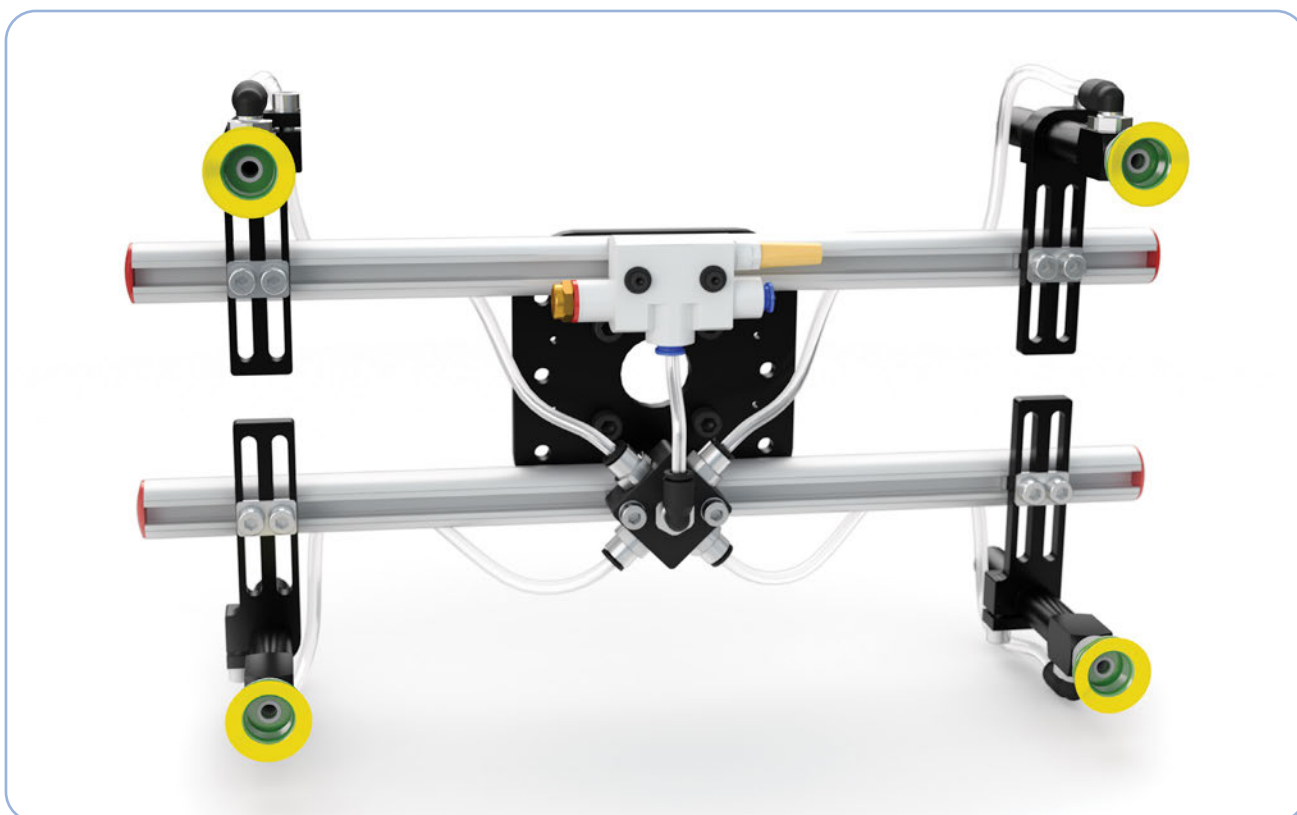


**Build your own Vacuum EOAT!**

Start with this compact and versatile plate at a great price!

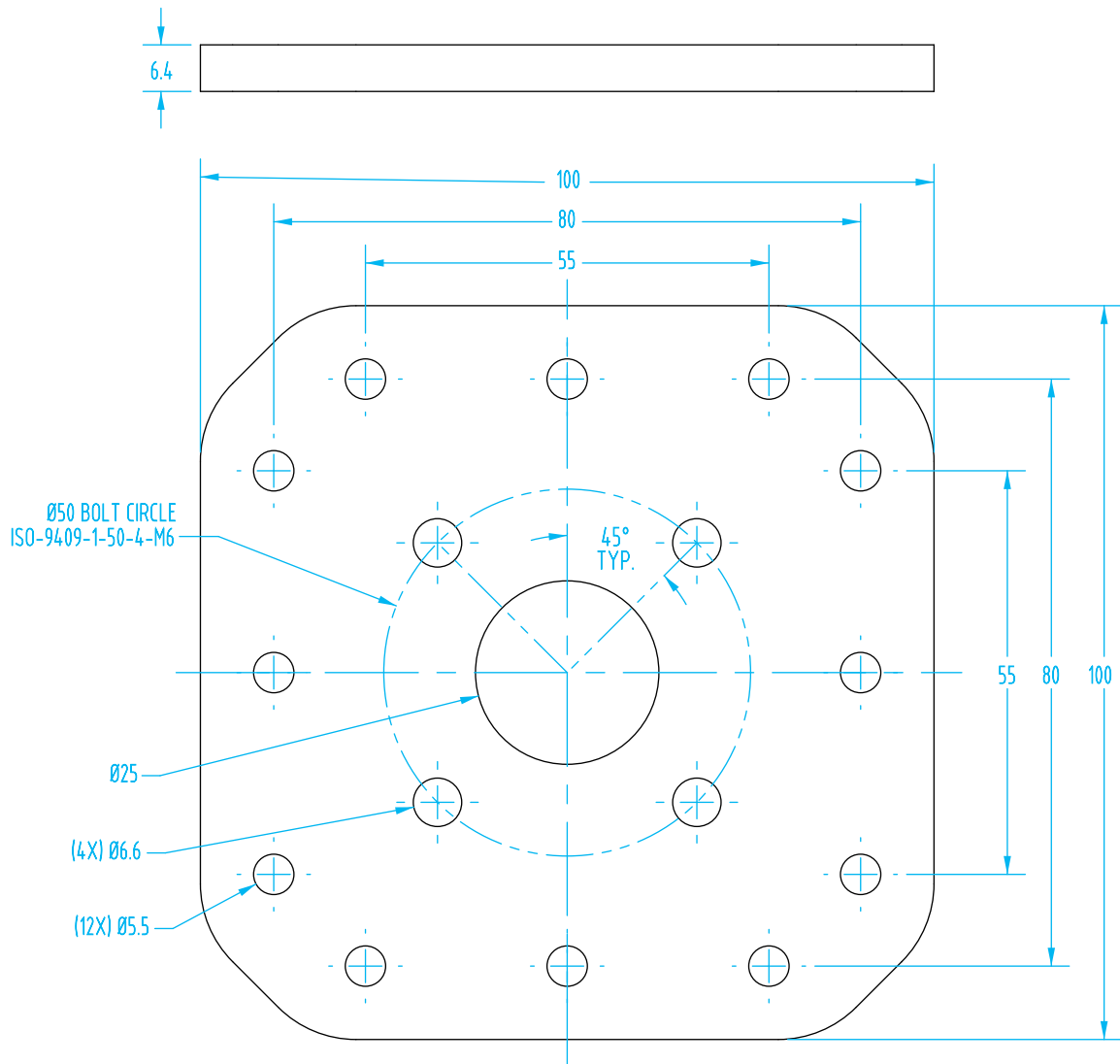
Quick#	Part#	Price	Wt.
8058	CRM-0138-2A	\$28.13	151g

- Lightweight aluminum plate compatible with the ISO 9409-1-50-4-M6 mounting pattern.
- Can be manufactured to fit any robot.
- Quick# 8058 is included with our Modular Profile Vacuum Kit #8005 on page 82.
- Hardware sold separately.



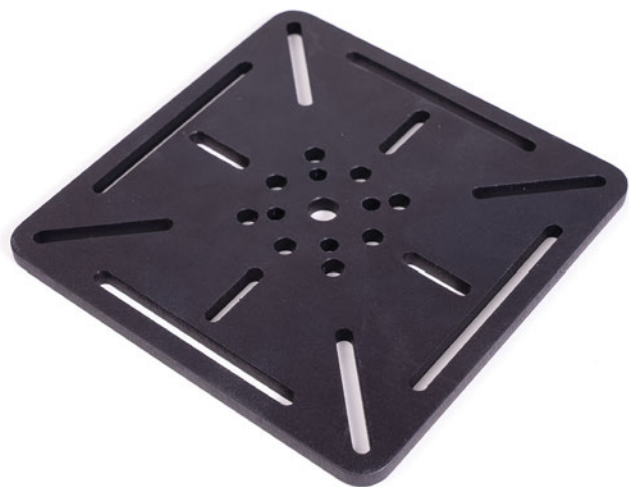
## Interface Plate for Modular Profile Kit

(Dimensioned drawings shown full scale)



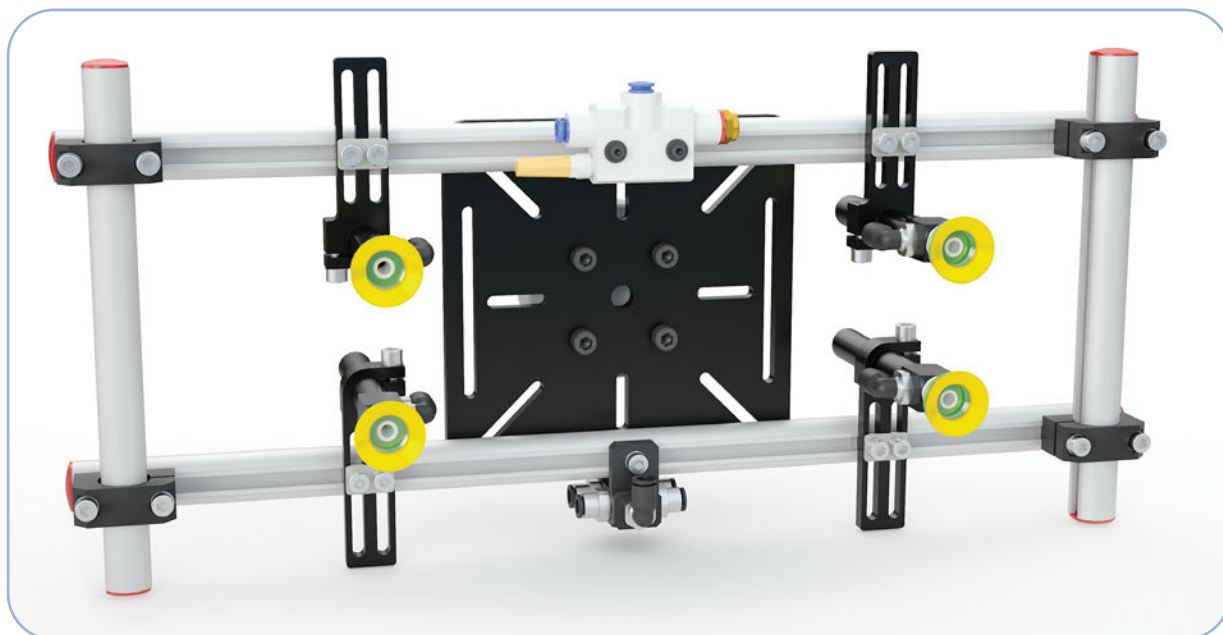
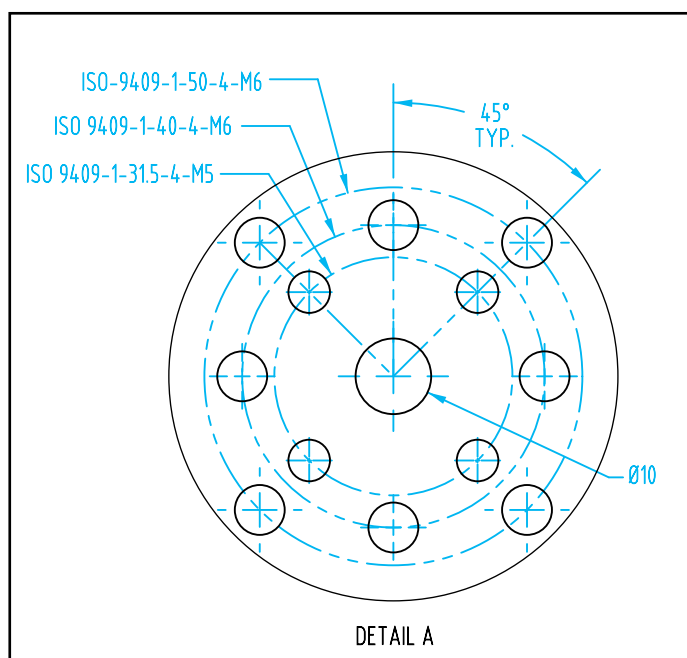
- CU
- QC
- VG
- VC
- VA
- SG
- GR
- MT
- AC
- CS
- CC

## Interface Plate for Modular Profile Kit



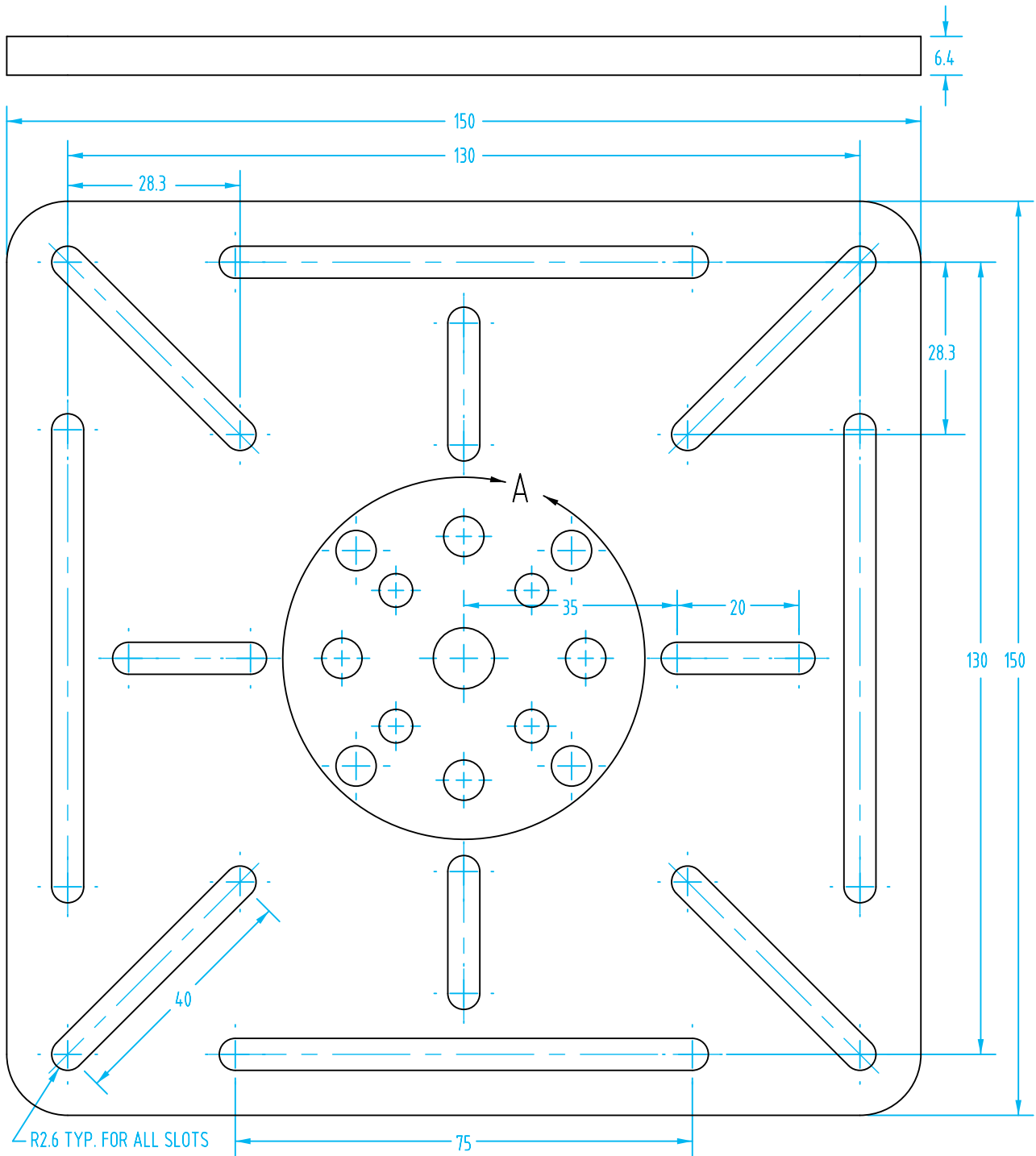
Quick#	Part#	Price	Wt.
8057	CRM-0337-1A	\$31.85	324g

- Lightweight aluminum plate compatible with:  
ISO 9409-1-31.5-4-M5  
ISO 9409-1-40-4-M6  
ISO 9409-1-50-4-M6 mounting patterns.
- Quick# 8057 is included with our Modular Profile Vacuum Kit #8005 on page 82.
- Designed with slots for quick adjustments.
- Hardware sold separately.

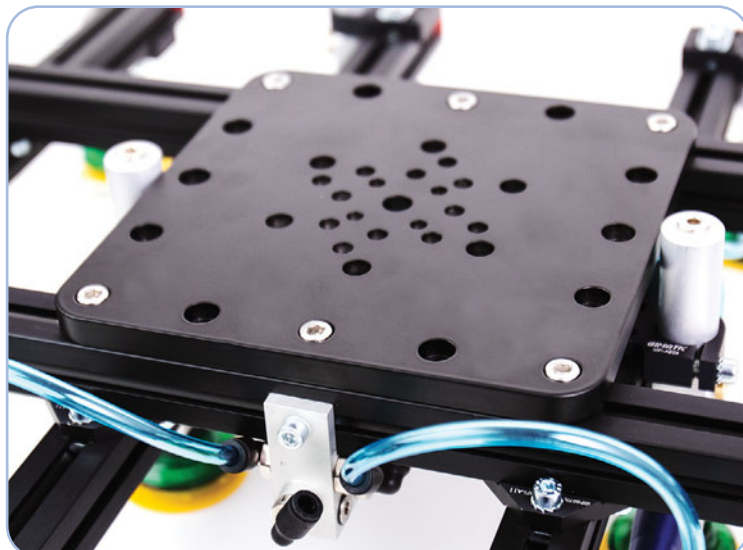


## Interface Plate for Modular Profile Kit

(Dimensioned drawings shown full scale)



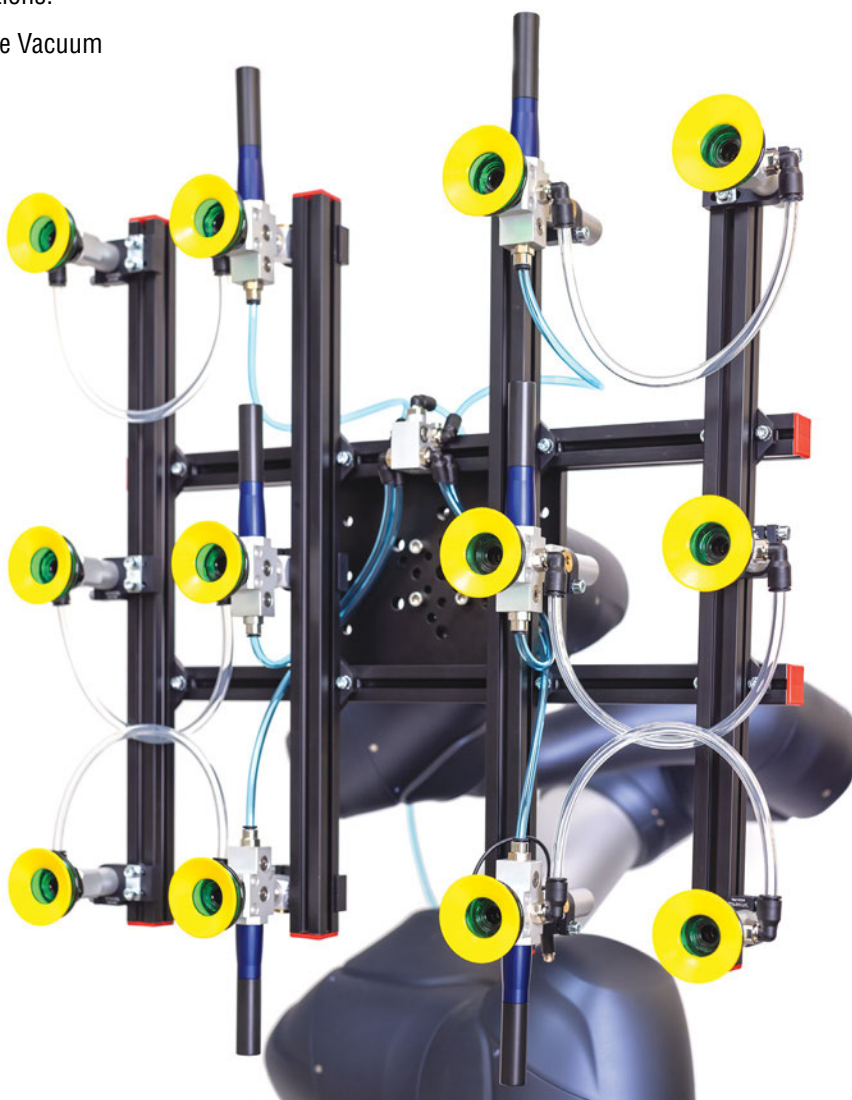
## Interface Plate for Modular Profile Kit II



*Start designing your large gripper with this plate. Compatible with larger and smaller robots, designed for larger payloads and compatible with 40mm aluminum profile.*

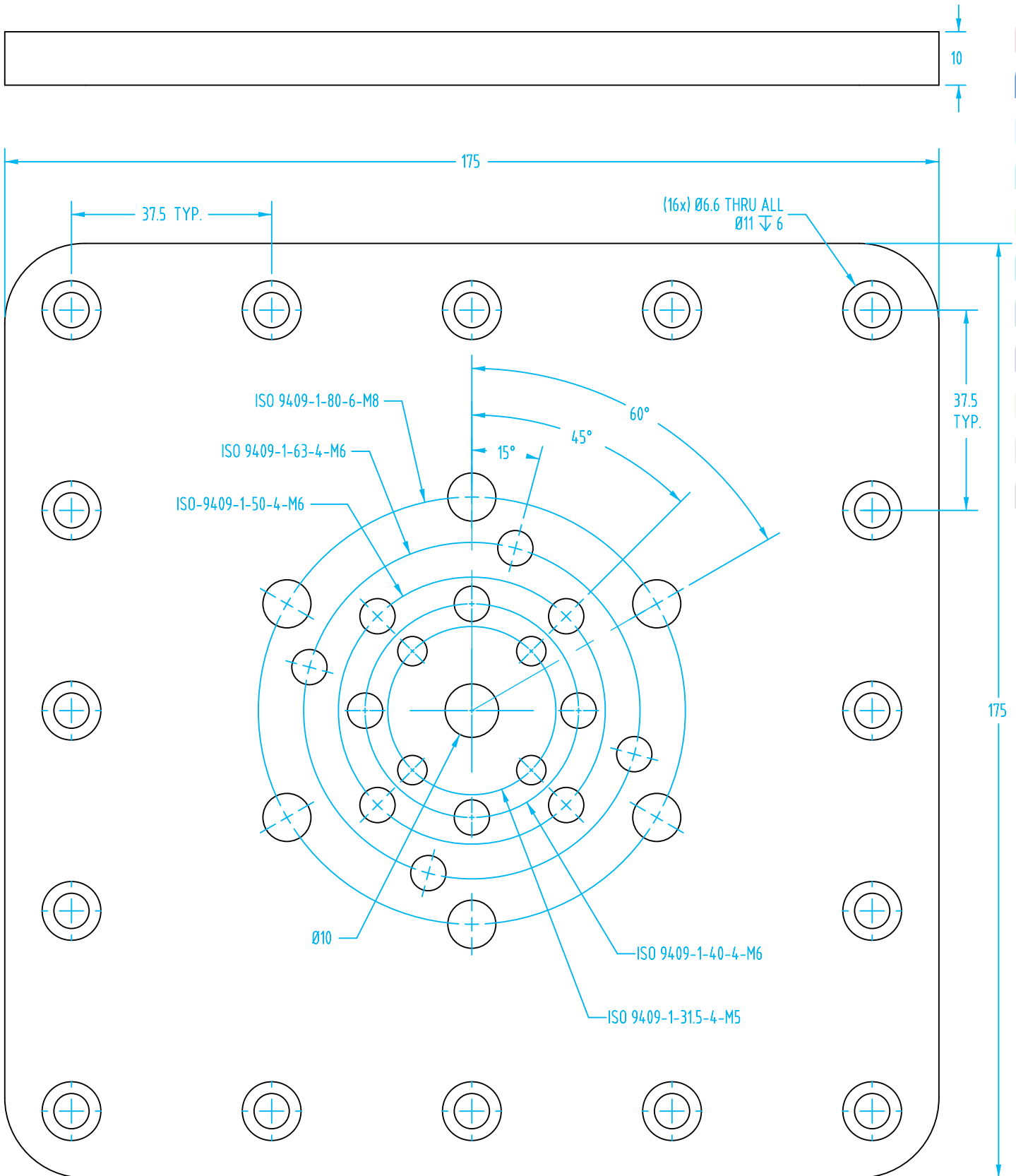
Quick#	Part#	Price	Wt.
8063	CRM-0337-2A	\$63.45	765g

- 10mm plate thickness for heavy-duty applications.
- Quick# 8063 is included in the Modular Profile Vacuum Kit II #8004 on page 86 (shown here).
- Hardware sold separately.
- Anodized plate compatible with:
  - ISO 9409-1-31.5-4-M5
  - ISO 9409-1-40-4-M6
  - ISO 9409-1-50-4-M6
  - ISO 9409-1-63-4-M6
  - ISO 9409-1-80-6-M8



## Interface Plate for Modular Profile Kit II

(Dimensioned drawings shown full scale)



- CU
- QC
- VG
- VC
- VA
- SG
- GR
- MT
- AC
- CS
- CC

# Quick Changer Interface Plate

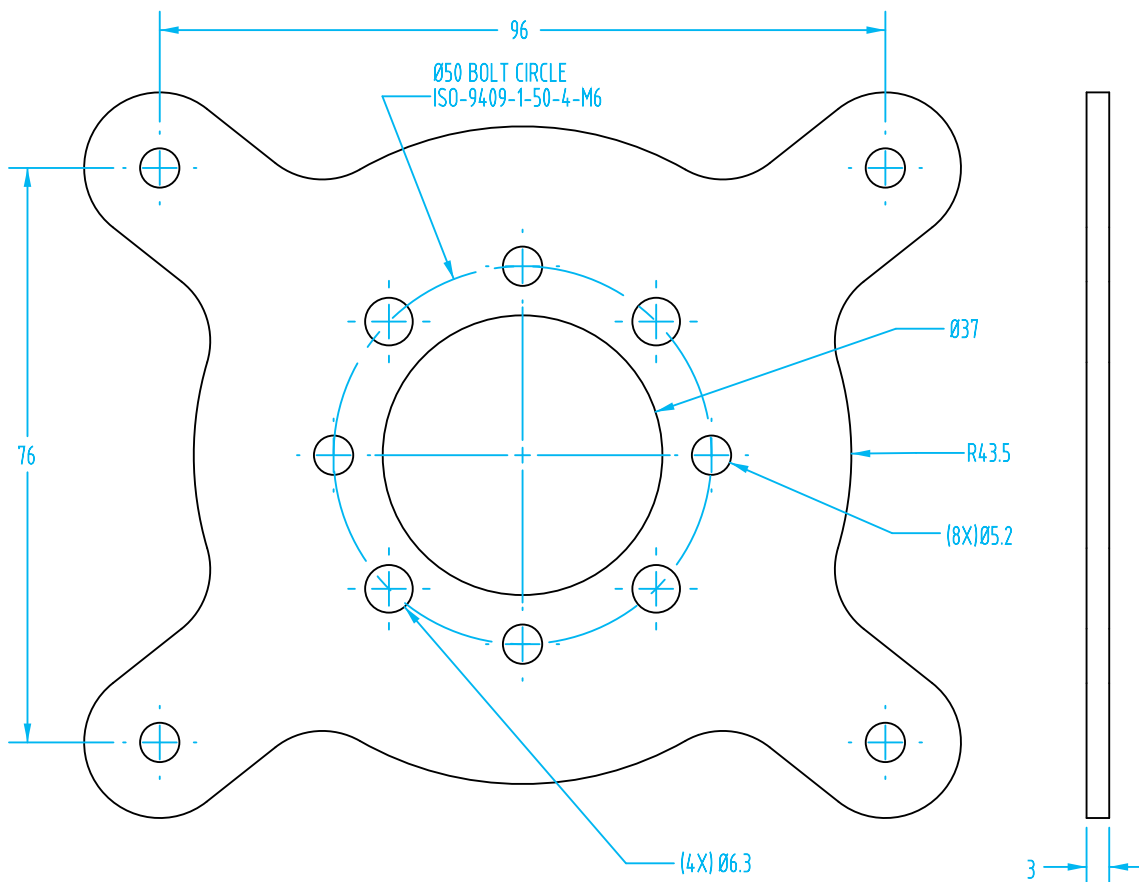
(Dimensioned drawings shown full scale)



Quick#	Part#	Price	Wt.
7435	MFI-A372	\$29.29	218g

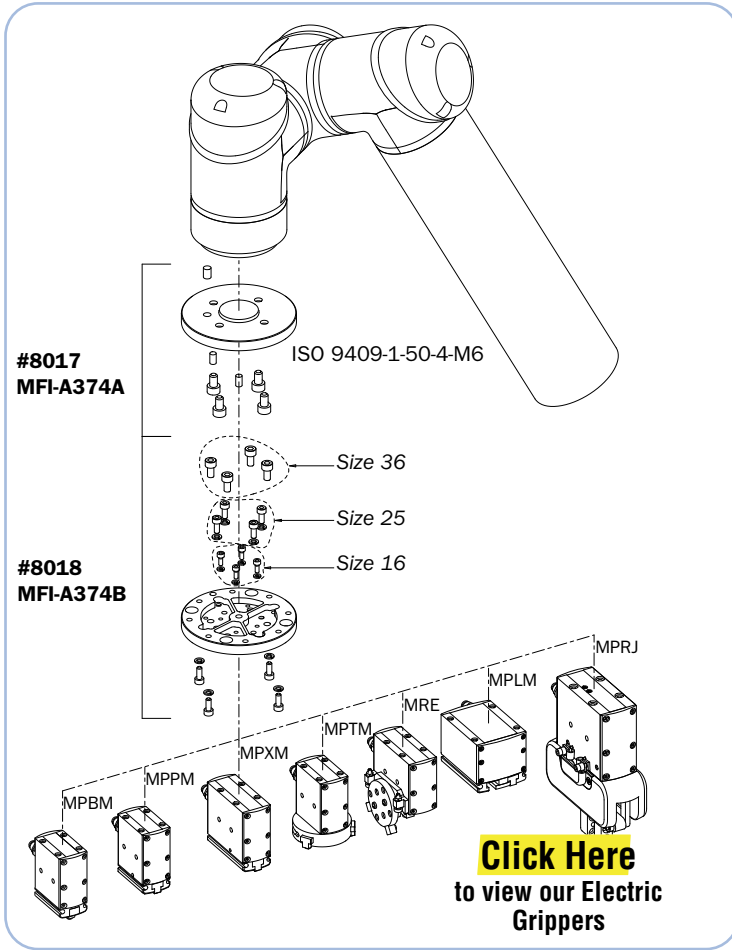
Use Quick#s for easy online ordering.

- Steel plate compatible with the ISO 9409-1-50-4-M6 mounting pattern.
- Mounts directly to QC75, QC90, GSQ-G Quick Changers.
- Hardware included.



## Interface for Mounting Electric Grippers

(Dimensioned drawings shown full scale)



#8017



#8018

Quick#	Part#	Price	Wt.
8017	MFI-A374A	\$62.50	50g
8018	MFI-A374B	\$83.00	55g

- Compatible with the ISO 9409-1-50-4-M6 mounting pattern.
- Hardware included.
- Adapts to all Gimatic Electric Grippers, see page 216 for photos and more information.

- CU
- QC
- VG
- VC
- VA
- SG
- GR
- MT
- AC
- CS
- CC

