

Cobot Flange Mono Clamp



EMI's Cobot mono clamps are lightweight, cost effective and easy to use. Simply mount the clamp directly to your Cobot's ISO 9409-1-50-4-M6 tool flange or to a Cobot Quick Changer with the included hardware and spacer.

**Spacer and hardware included for use with Gimatic Quick Changer QC-75*

Cobot Flange Mono Clamp

Quick#	Part#	Clamp	Price	Wt. *
8101	CRM-MC10-A	Ø10	\$38.29	47g
8102	CRM-MC14-A	Ø14	\$42.61	49g
8103	CRM-MC20-A	Ø20	\$46.33	61g
8104	CRM-MC30-A	Ø30	\$49.82	71g

**Standard weight. The weight is slightly higher when using hardware to attach to the QC-75.*

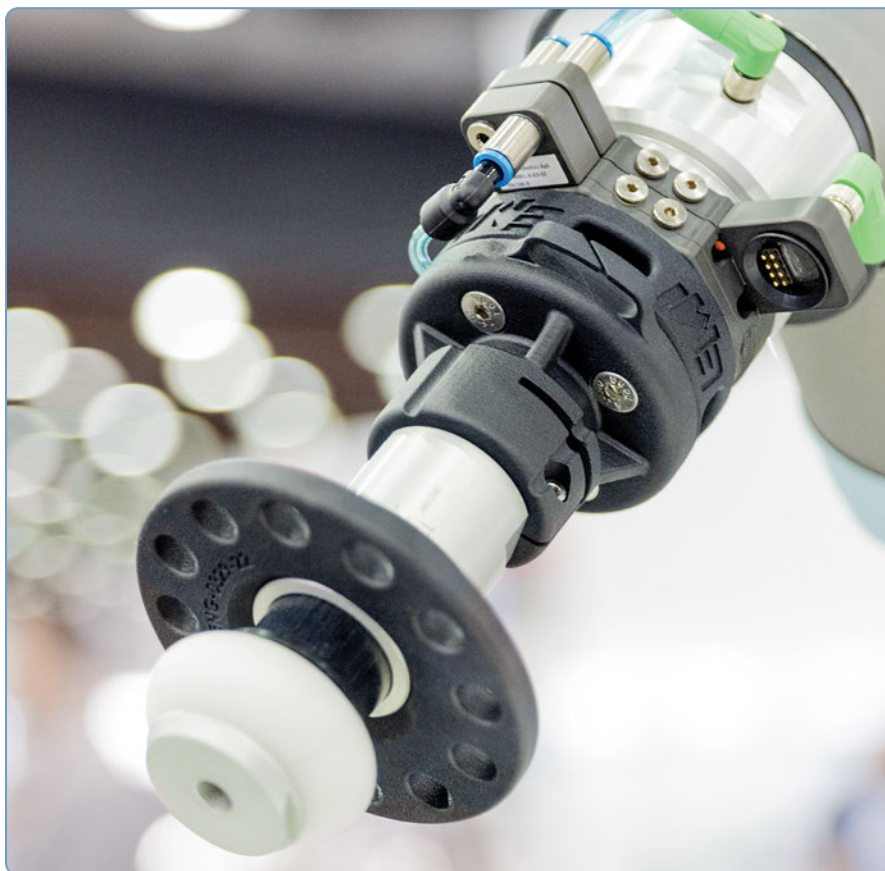
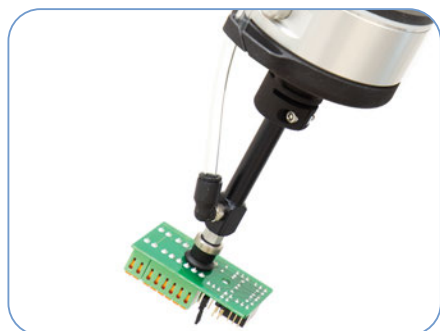
25mm Spacer for Cobot Flange

Quick#	Part#	Price	Wt.
8106	CRM-MCSP25	\$23.64	55g

Hardware for spacer:
4x Q# 213 for direct mounting
4x Q# 215 when using QC Spacer

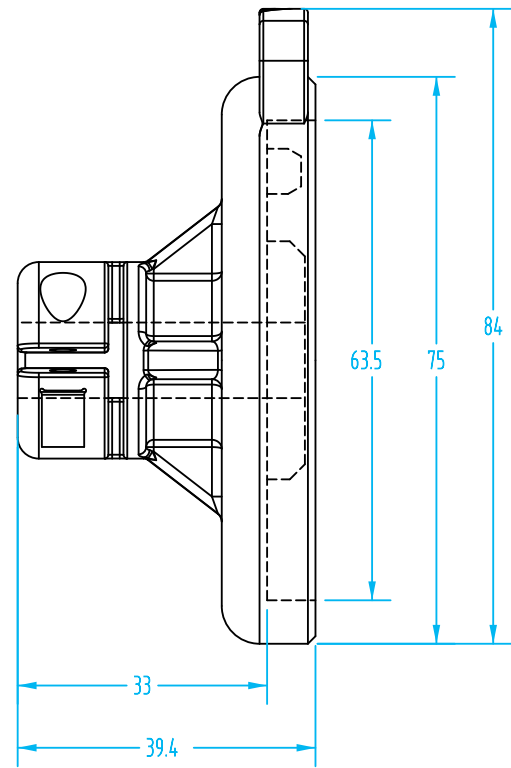
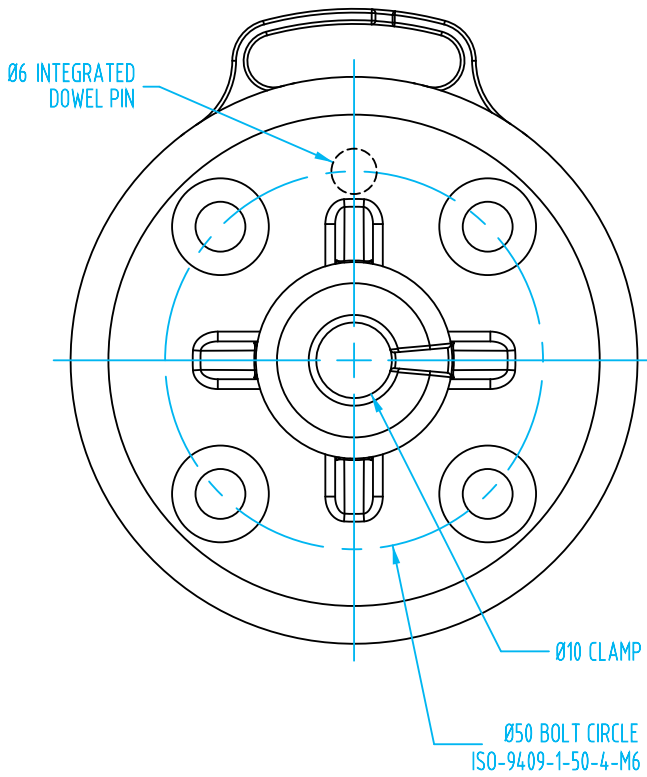
Compatible with your existing EOAT components!

- Available with Ø10, 14, 20, 30mm clamps.
- Can be printed to fit any Cobot.
- Compatible with our wide range of quick changers, vacuum posts, grippers or custom to fit your EOAT.



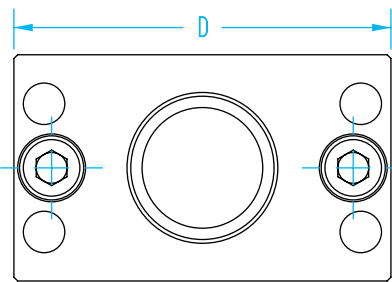
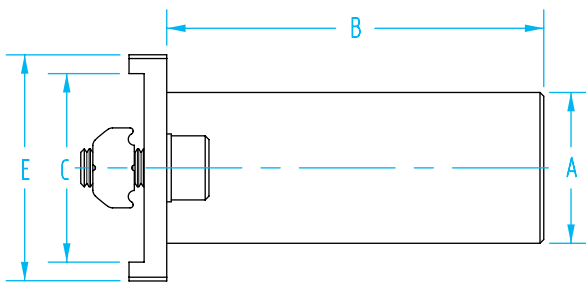
Cobot Flange Mono Clamp

(Quick# 8101 with Ø10mm clamp shown. All mono clamps have same overall dimensions.)



- CU
- QC
- VG
- VC
- VA
- SG
- GR
- MT
- AC
- CS
- CC

Profile Mounting Post



Profile Mounting Post

Quick#	Part#	>ASS< #	Price	A	B	C	D	E	Wt.	Use with Profile:
3464	DKS10L	1-110-10-00	\$19.95	10	60	18	30	20	27g	Light
3465	DKS14X	1-110-20-00	\$24.15	14	80	25	40	30	51g	X
3682	DKS-X-20-50	1-110-25-00	\$21.00	20	50	25	50	30	62g	X
3466	DKS20X	1-110-30-00	\$26.25	20	100	25	50	30	77g	X

