

## Gimatic by EMI – Kit-UR-J Long-Stroke Electric Gripper for Cobots

The Gimatic KIT-UR-J is an industrial electric gripper with a long stroke that plugs straight to your UR and Fanuc CRX wrist connector. Equipped with finger blanks that can be fitted with custom fingers (shown below) specific to your application.



\*Fingers not included.

**Quick# 8012**  
KIT-UR-J  
**PRICE: \$2,904.<sup>00</sup>**



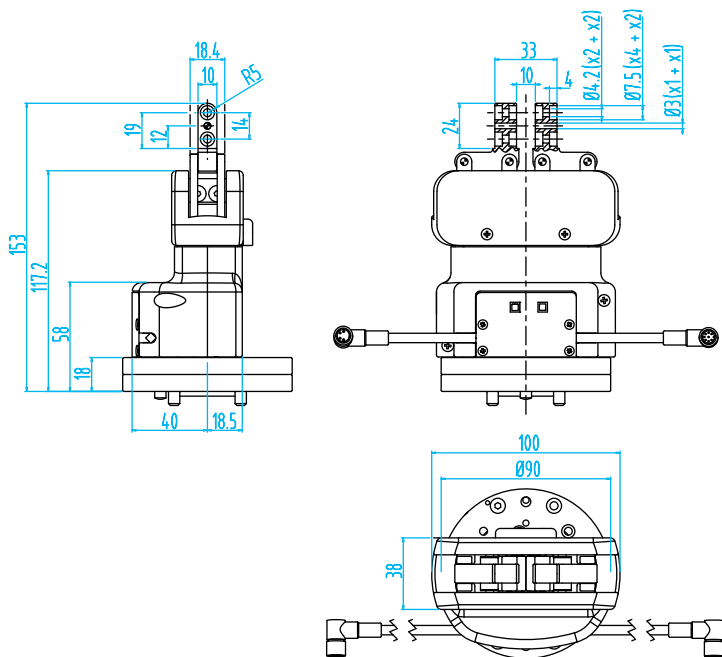
Custom fingers available, contact us today!

### Gimatic by EMI KIT-UR-J & KIT-TM-J

The Kit-UR-J is an electric, 2-jaw parallel gripper with a safety shroud and capacitor box. This gripper can be assembled onto the UR or Fanuc CRX collaborative robots. By installing the associated robot plugin, the user can configure the device along with a list of work pieces to be gripped.

The KIT-TM-J is a plug & play gripping solution for Techman Robot cobots (TM5, TM12 and TM14 series) and it is completely compatible with Gimatic Quick Changer EQC20-TM (Quick#8155). It can be used in combination with any collaborative robot that provides a limited power supply capability at the wrist.

This gripper has a long stroke with a fast opening/closing motion.



**Gimatic by EMI – KIT-TM-J Long-Stroke Electric Gripper for Cobots**



**Quick# 8031**  
KIT-TM-J  
**PRICE: \$2,904.00**



<b>Part#</b>	MPRJ2553
<b>Quick#</b>	7408
<b>Total gripping force</b>	5.4lbf
<b>Stroke</b>	50mm (2 x 26.5mm)
<b>Max frequency</b>	1.6 Hz
<b>Jaw closing time</b>	0.15s
<b>Working gripper time</b>	0.24s
<b>Duty cycle</b>	76%
<b>Peak current</b>	1.2 Apk
<b>Brushless motor power</b>	11W
<b>Open/closed input signal</b>	PNP open collector
<b>Repetition accuracy</b>	0.02mm
<b>Environmental Degree</b>	IP54
<b>Noise level</b>	< 70 dB
<b>Weight of Gripper (motor included)</b>	480g

**Features:**

- Kit-UR-J: Compatible with UR or Fanuc CRX.
- Kit-TM-J: Compatible with TM5, TM12 and TM14 series.
- Plug & play solution.
- Connects directly to the robot’s wrist.
- Sensor ready for gripping or end of the stroke detection.
- 53mm Stroke
- Base diameter: 100mm
- Contact EMI for custom fingers.
- The included interface plate mounts directly to any robot with an ISO-9409-1-50-4-M6 tool flange. Contact EMI if you need a different interface plate.