

## EMI Modular Vacuum Kit – MPK

### Everything you need to get your Cobot up and running for vacuum applications.

EMI's Modular Profile Kit includes 2 mounting plates, 3 different lengths of profile (450mm, 350mm, 200mm), 3 styles of vacuum cups, vacuum posts, cross clamps, manifold, fittings, vacuum generator with integrated sensing, 5/2 on-arm solenoid valve, cable management clamps, tubing, wiring harness, and all the necessary hardware to build your own custom vacuum EOAT.

**Quick# 8005**  
 Part# CRK-MPK1-A  
**KIT PRICE: \$995.00**

#### Modular MPK Vacuum Kit:

- Modular, lightweight aluminum frame with two anodized aluminum mount plates.
- Three sets of vacuum cups included: high temperature Silicone, non-marking Hithane and Dual Durometer.
- Includes an integrated vacuum generator with a monitoring switch for part confirmation.
- Up to 450mm x 450mm footprint!
- Compatible with our existing line-up of EOAT components.
- Includes EMI's robot plugin and sample CAD models for easy assembly and programming.
- Compatible with the ISO 9409-1-50-4-M6 mounting interface.
- Compatible with the quick changers in this catalog.



*Easily modify configurations when your application changes.*



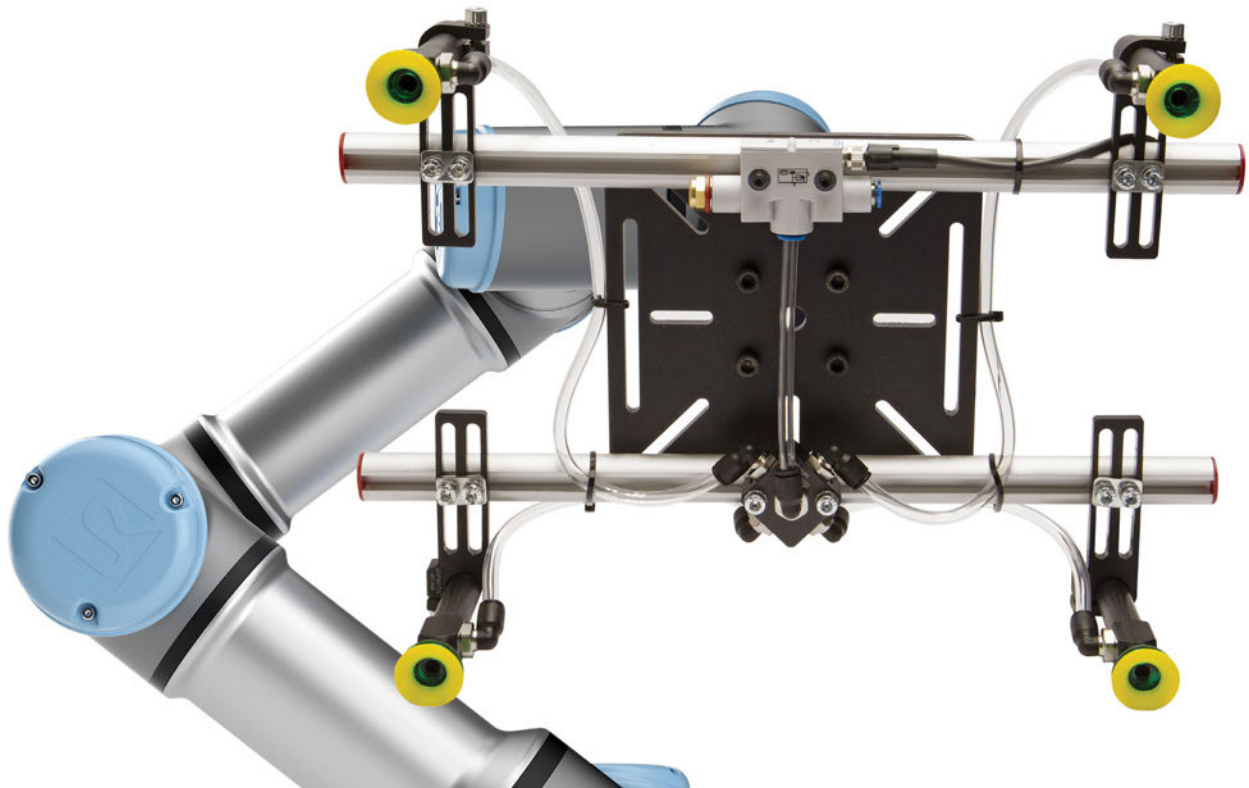
*Our User Guide provides all information from setup to troubleshooting.*

## EMI Modular Vacuum Kit – MPK

Completely modular and lightweight, the MPK is a great starting point for most vacuum applications and can easily be expanded with EMI's complete line up of EOAT framing, suspensions, grippers, vacuum cups, and more. All in stock and ready to ship with a team of Engineers ready to assist you with your application.



*Interface plates and URcap make attaching and programming on Universal Robots fast and easy.*



- CU
- QC
- VG
- VC
- VA
- SG
- GR
- MT
- AC
- CS
- CC



*Quick# 8016*

5/2 Solenoid valve with fittings, mufflers, and non-slip Velcro® strap.



*Quick# 8015*

Two cable management clamps with non-slip Velcro strap.



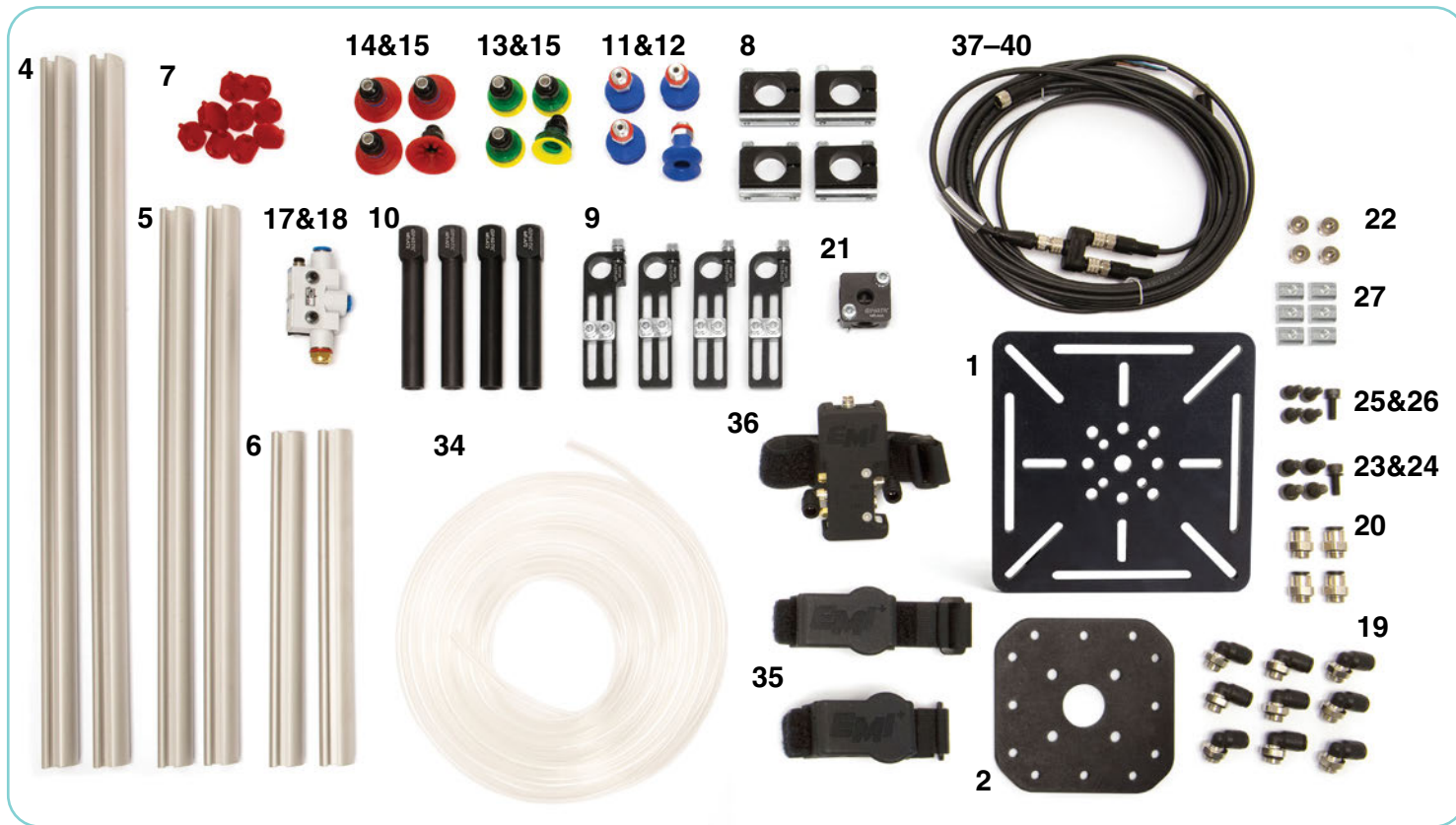
*#8091 with silencer #8069*

Vacuum generator with monitoring switch for part confirmation.



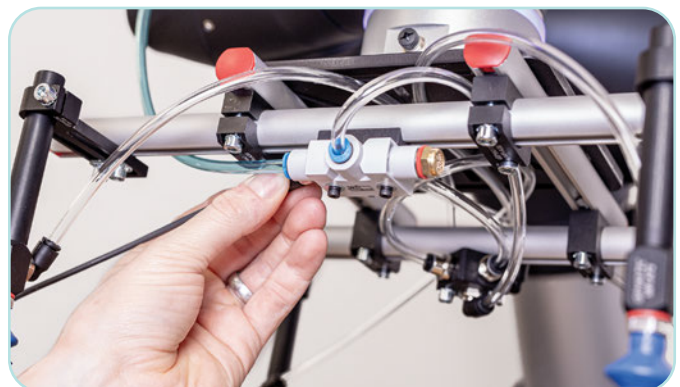
USB drive includes EOAT sample assemblies, and user manual.

## EMI Modular Vacuum Kit – MPK



### Easy to Assemble and Modify!

EMI's Modular Profile Kit includes all the components needed to build your own vacuum end effector. The USB drive includes several CAD models of assemblies pre-designed by our EOAT Engineers. If you have any questions on how to build your End of Arm Tooling, just give us a call. We'll be happy to guide you through the process.



**Modular Profile Kit Bill of Materials**

| #  | Quick# | Part#                | Description                          | Qty. |
|----|--------|----------------------|--------------------------------------|------|
| 1  | 8057   | CRM-0337-1A          | UR Mount Plate                       | 1    |
| 2  | 8058   | CRM-0138-2A          | UR Mount plate                       | 1    |
| 3  | 8092   | CR3-0138-3           | Vacuum Generator Bracket             | 1    |
| 4  | 6035   | EMB-2017-1000        | Ø20mm Profile, 450mm long            | 2    |
| 5  | 6035   | EMB-2017-1000        | Ø20mm Profile, 350mm long            | 2    |
| 6  | 6035   | EMB-2017-1000        | Ø20mm Profile, 200mm long            | 2    |
| 7  | 6054   | MFP-K29              | Profile end cap (10pack)             | 1    |
| 8  | 5695   | MFI-A38              | Ø20mm Cross Clamp                    | 4    |
| 9  | 5702   | MFI-A06              | Ø14mm long Angle Clamp               | 4    |
| 10 | 5735   | MFI-A72              | Ø14mm Vacuum Arm                     | 4    |
| 11 | 1653   | GSV-BHT-25           | 25mm Hithane Vacuum Cup              | 4    |
| 12 | 1604   | GSF-PFN-G8M          | G1/8 Vacuum Nipple                   | 4    |
| 13 | 5645   | GSV-1BDD-25          | 25mm Duraflex Cup                    | 4    |
| 14 | 1429   | GSV-F30-20           | 30mm Flat PIAB Cup                   | 4    |
| 15 | 5157   | GSV-02AB             | G1/8 Nipple for PIAB Cups            | 8    |
| 16 | 244    | GSF-G-G8             | G1/8 Seal Ring                       | 4    |
| 17 | 8091   | VN10H-T4-PQ2-VQ2-O1P | Vacuum Generator w/ Monitor          | 1    |
| 18 | 8069   | AMTE-M-H-G18         | G1/8 Muffler                         | 1    |
| 19 | 121    | GSF-QME-G806         | 6mm, G1/8 Elbow Fitting              | 9    |
| 20 | 105    | GSF-QMC-G806         | 6mm, G1/8 Straight Fitting           | 4    |
| 21 | 5771   | MFI-A66              | 5-port Manifold Block                | 1    |
| 22 | 1388   | GSF-TPP-U8           | G1/8 Plug                            | 4    |
| 23 | 880    | GSC-M6-LW            | M6 Lock Washer                       | 4    |
| 24 | 873    | GSC-M6-14            | M6x14 SHCS                           | 4    |
| 25 | 854    | GSC-M5-14            | M5x14 SHCS                           | 6    |
| 26 | 865    | GSC-M5-LW            | M5 Lock Washer                       | 6    |
| 27 | 6019   | MFI-025              | M5 Channel Nut                       | 6    |
| 28 | 822    | GSC-M3-22            | M3x22mm SHCS                         | 2    |
| 29 | 827    | GSC-M3-LW            | M3 Lock Washer                       | 2    |
| 30 | 829    | GSC-M3-FW            | M3 Fender Washer                     | 2    |
| 31 | 318    | GSC-TI-M3            | M3 Brass Insert                      | 2    |
| 32 | 986    | GSC-FSH-4x10         | M4x10mm FSH                          | 1    |
| 33 | 6058   | MFI-177              | M4 Channel Nut                       | 1    |
| 34 | 958    | GSU-PC-0604          | Ø6mm Clear Tubing                    | 1    |
| 35 | 8015   | CRA-CMK-1            | Cable Mgmt. Kit                      | 2    |
| 36 | 8016   | CRA-SVK-1            | Cobot Solenoid Valve Kit             | 1    |
| 37 | 8081   | GSE-E12269           | IFM Splitter                         | 1    |
| 38 | 8082   | GSE-RFC-M8-4P        | 4-pin M8 Connector Robotic Flex (5m) | 1    |
| 39 | 8086   | CRC-1000-3P*         | 3-pin M8 Cable (1000mm)              | 1    |
| 40 | 8084   | CRC-650-3P*          | 3-pin M8 Cable (650mm)               | 1    |

\*Part may vary.

**Contact EMI for hardware and 3D-printed components.**

**EMI's wide offering of EOAT components allows you to expand on the MPK. Check out different vacuum cups, grippers and framing in our EOAT Catalog to make this kit even more adaptable.**

- CU
- QC
- VG
- VC
- VA
- SG
- GR
- MT
- AC
- CS
- CC