

## Manual Dual Tool Changer – OnRobot



**The Dual Tool Changer enables you to use two EOAT's together in a single cycle.**

With this innovative solution you can use two grippers or vacuum units. Switch between tools to maximize the utilization of your robots.

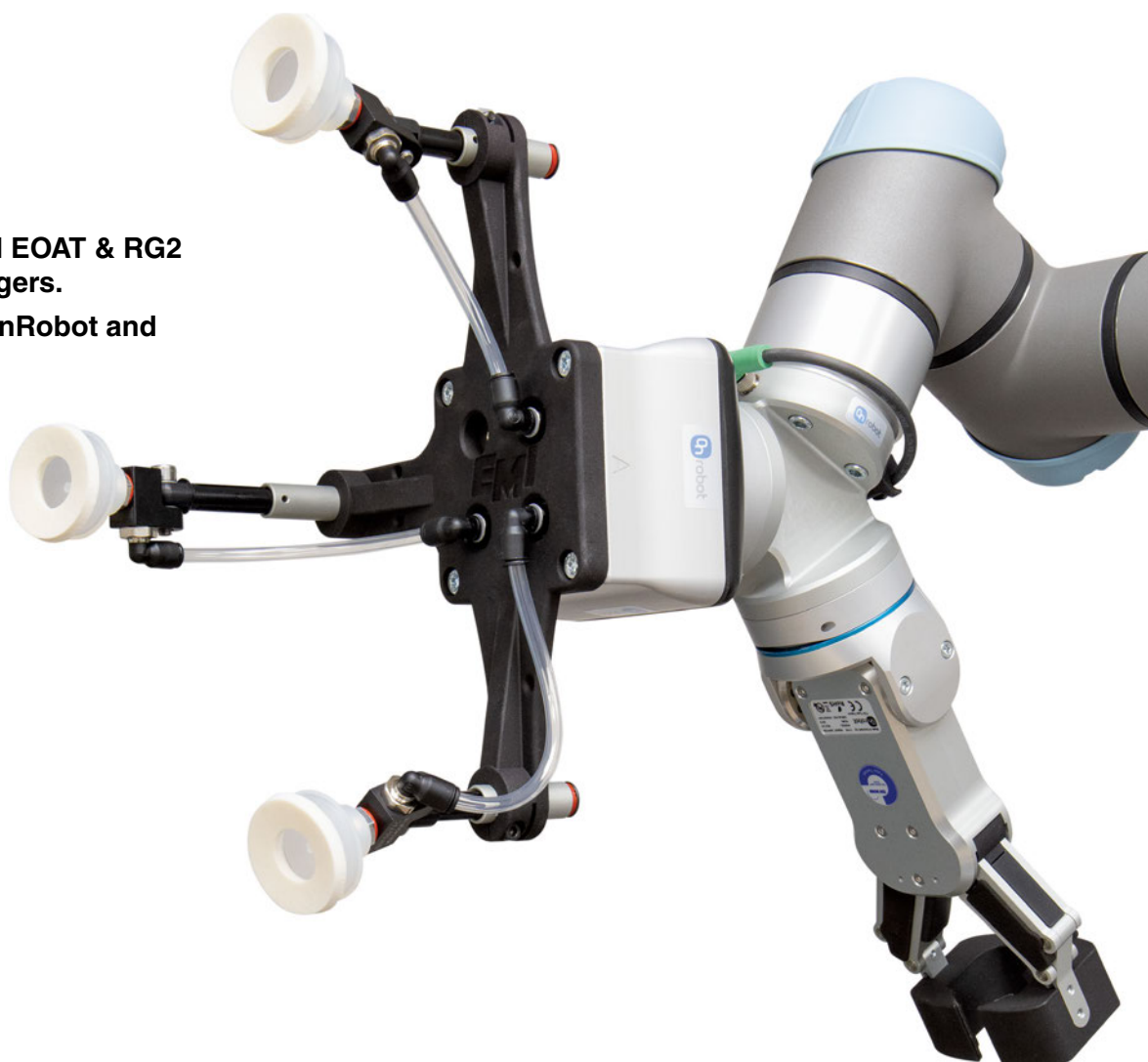
Quick#	Part#	Weight	Price
8222	OR-109878	410g	\$2,781.00

*OnRobot pricing effective 05/01/24 and subject to change.*

- High repeatability.
- **Requires a Compute Box for all applications and robot models. See page 270.**
- Compatible with ISO 9409-1-50-4-M6 mounting interface.
- Max. suggested payload: 44 lbs (20 kg).

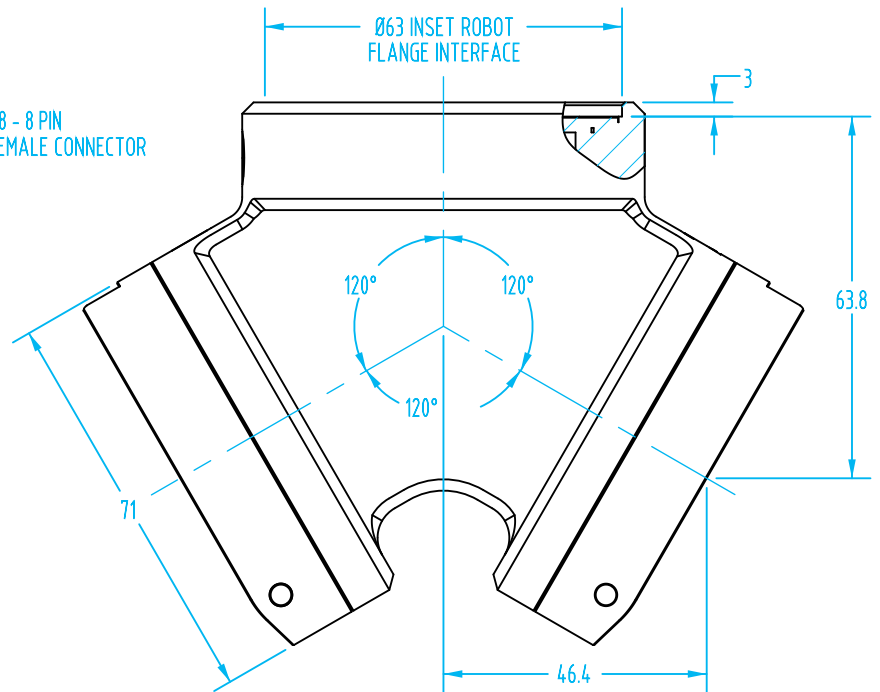
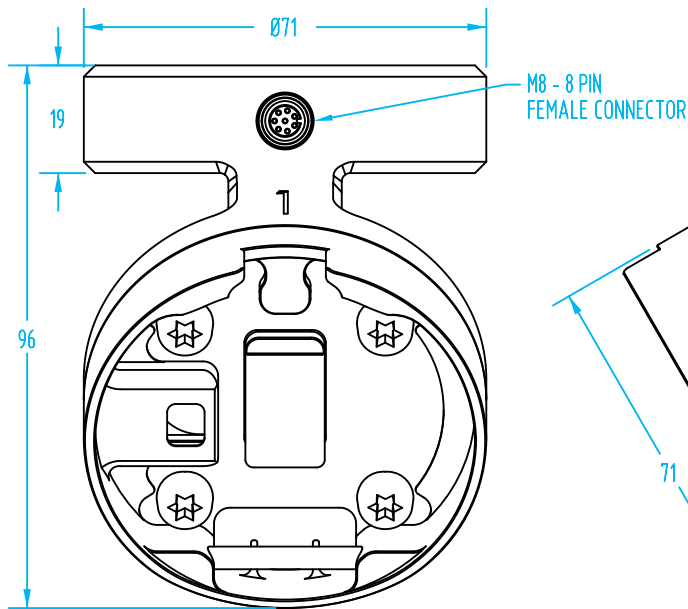
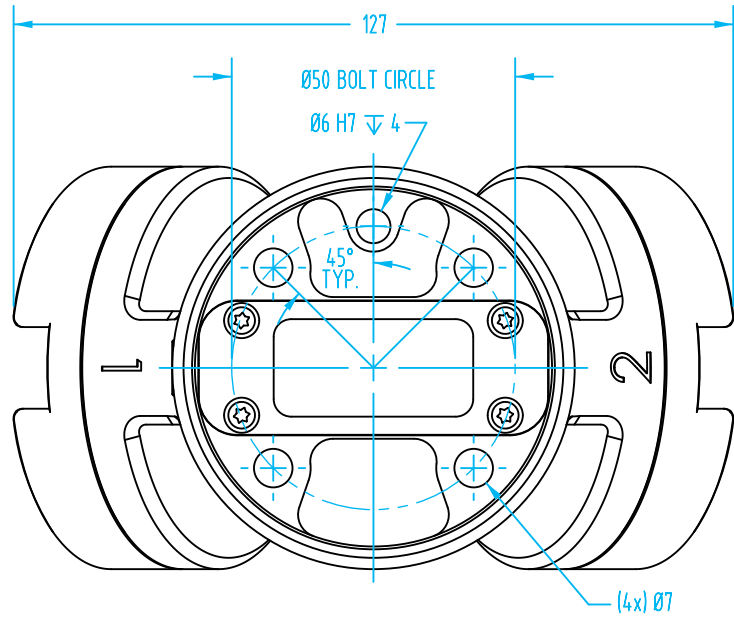
**Custom 3D printed EOAT & RG2 with soft-touch fingers.**

**Compatible with OnRobot and Custom EOAT!**



## Manual Dual Tool Changer – OnRobot

(Dimensioned drawings shown 75% scale)



- CU
- QC
- VG
- VC
- VA
- SG
- GR
- MT
- AC
- CS
- CC

### Replacement Cable Relief for Dual QC



Quick#	Part#	Price
8242	OR-102919	\$86.67

- Direct OEM replacement of the 3D printed cable relief found on Q#8222 dual quick changer for Cobots.
- Contact EMI if you need additional cable management solutions for your Cobot.