

Adaptive Grippers for Cobots – OnRobot RG2 & RG6

RG Adaptive Grippers make it easy to program secondary operations using Cobots around the Injection Molding Machine or anywhere in your plant.

They include a built-in Quick Changer, adjustable stroke and grip force, finger tips, and software that makes it easy to use.



#8201 – RG2

#8202 – RG6

(shown with custom EMI fingers)

RG2 – Quick# 8201
 Part# OR-102012
PRICE: \$5,472.00

RG6 – Quick# 8202
 Part# OR-102021
PRICE: \$6,554.00

OnRobot pricing effective 05/01/24 and subject to change.

Try It Risk Free!

*Contact us for details

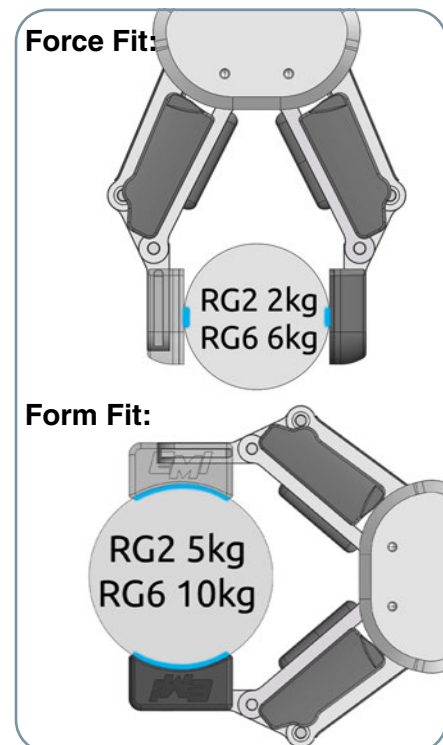


- Grip indications (part confirmation).
- Automatic tool center point (TCP) calculation, depth compensation, and payload calculation for UR.
- Integrated software.
- +/-90° Angular adjustments built into device in 30° Increments.
- Dimensional drawings and payload charts available online.

Technical Specs	RG2	RG6
Adjustable stroke (w/ stock fingers)	0–110mm	0–160mm
Payload with stock fingers (force fit)	4.4 lb (2 kg)	13.22 lb (6 kg)
Payload with custom fingers (form fit)	11.02 lb (5 kg)	22.04 lb (10 kg)
Finger position resolution	± 0.1mm	± 0.1mm
Repetition accuracy	± 0.1mm–0.2mm	± 0.1mm–0.2mm
Reversing backlash	± 0.1mm–0.3mm	± 0.1mm–0.3mm
Gripping force (adjustable)	3 – 40 N (0.7 – 9 lbf)	25 – 120 N (5.6 – 27 lbf)
Gripping force deviation	+/-25%	+/-25%
Gripping speed	38mm – 127mm /second	51mm – 160mm /second
Gripping time*	0.06s – 0.21s	0.05s – 0.15s
Adjustable bracket tilting accuracy	less than 1°	less than 1°
Storage temperature	32° – 122°F	32° – 122°F
Weight	780g (1.72 lb)	1250g (1.76 lb)
Power supply	20V – 25V	20V – 25V
Current consumption**	10mA – 600mA	70mA – 600mA
Operating temperature	41° – 122°F	41° – 122°F

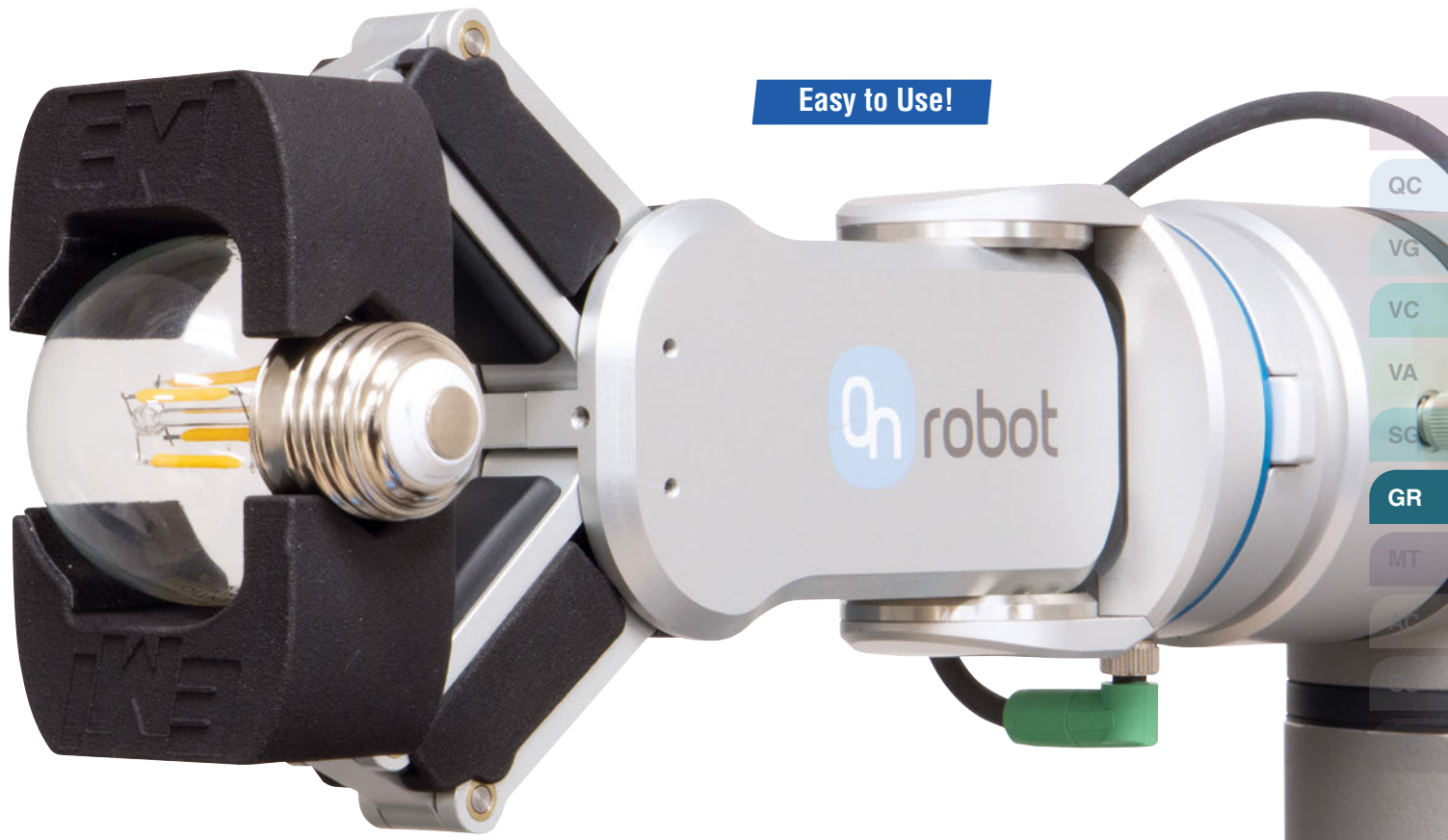
* Based on 8mm total movement between fingers. The speed is linearly proportional to the force.

**Current spikes up to 3A (max 6mS) may occur during the release action.





Adaptive Grippers for Cobots – OnRobot RG2 & RG6



- QC
- VG
- VC
- VA
- SG
- GR**
- MT

Replacement RG2 Parts

Quick#	Part#	Description	Price
8240	OR-100669	Standard Finger Tip	\$86.67
8272	OR-105871	X-Shape Finger Tip	\$131.67
8274	OR-106959	50mm Finger Extension	\$233.33
8275	OR-106960	100mm Finger Extension	\$233.33

Note: See EMI website for dimensional drawings.

Replacement RG6 Parts

Quick#	Part#	Description	Price
8241	OR-100670	Standard Finger Tip	\$86.67
8273	OR-106957	X-Shape Finger Tip	\$131.67
8276	OR-106966	50mm Finger Extension	\$233.33
8277	OR-106967	100mm Finger Extension	\$233.33

Note: See EMI website for dimensional drawings.



Use Quick#s for easy online ordering.