

Palletizing Area Gripper – PIAB CPT



The Cobot Palletizing Tool (CPT) is a lightweight, smart and energy efficient solution intended to maximize the output of smaller robots. With a large footprint and compact gripper body design, you are able to grip multiple workpieces at once taking advantage of the piSMART valve. Available in-stock from EMI, contact our EOAT Engineering team to send workpiece samples in for testing.



- Capable Footprint: 400mm x 140mm with 30mm thick foam.
- Flexible picking zones allow for gripping of multiple workpieces.
- Equipped with piSMART for faster response during higher speed operations.
- High energy efficiency using next generation COAX® vacuum pumps compatible with UR and Fanuc CRX robots with ISO 9409-1-50-4-M6 flange.
- Can be easily converted to a vacuum cup area gripper using Quick #8662.
- Vacuum cups are sold separately. Contact Cobots@emicorp.com to select the right vacuum cup for your application.
- Two mount positions. See dimensional drawing.

Quick#	Part#	Price	Max Vacuum Level*	Max Suction Flow*		Air Consumption*		Std. Supply Pressure		Wt.
				CFM	l/min	CFM	l/min	psi	Bar	
8860	CRK-CPT-400X140-FOAM	\$5,582.69	74%	38.1 CFM	1080 l/min	11.1 CFM	315 l/min	87 psi	6 Bar	1850g

*Values listed are achieved when supplied with the listed standard supply pressure.

Accessories / Optional Items for PIAB CPT

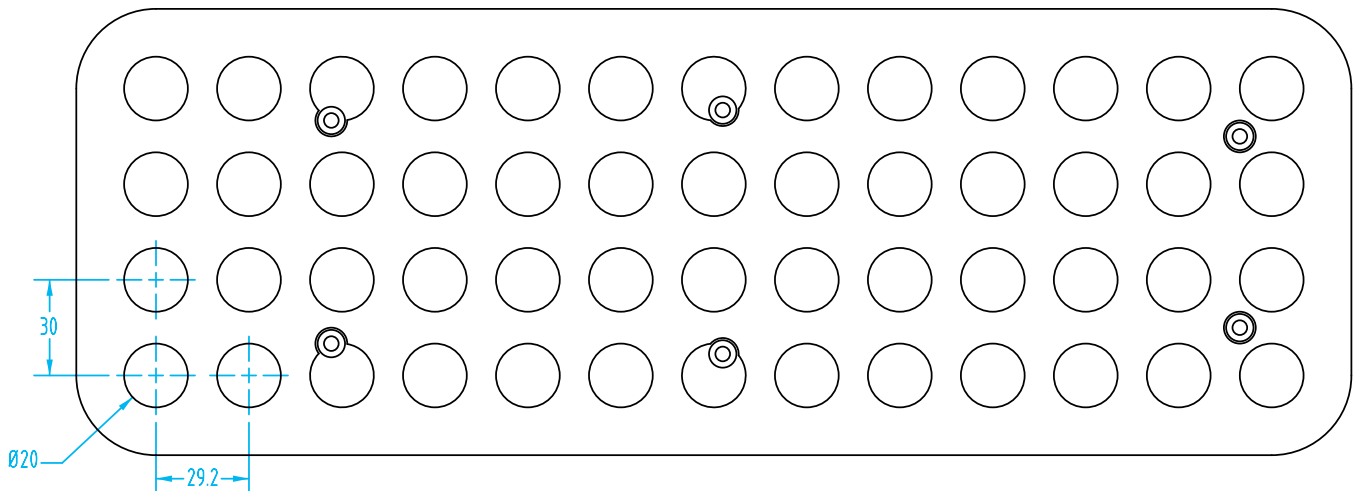
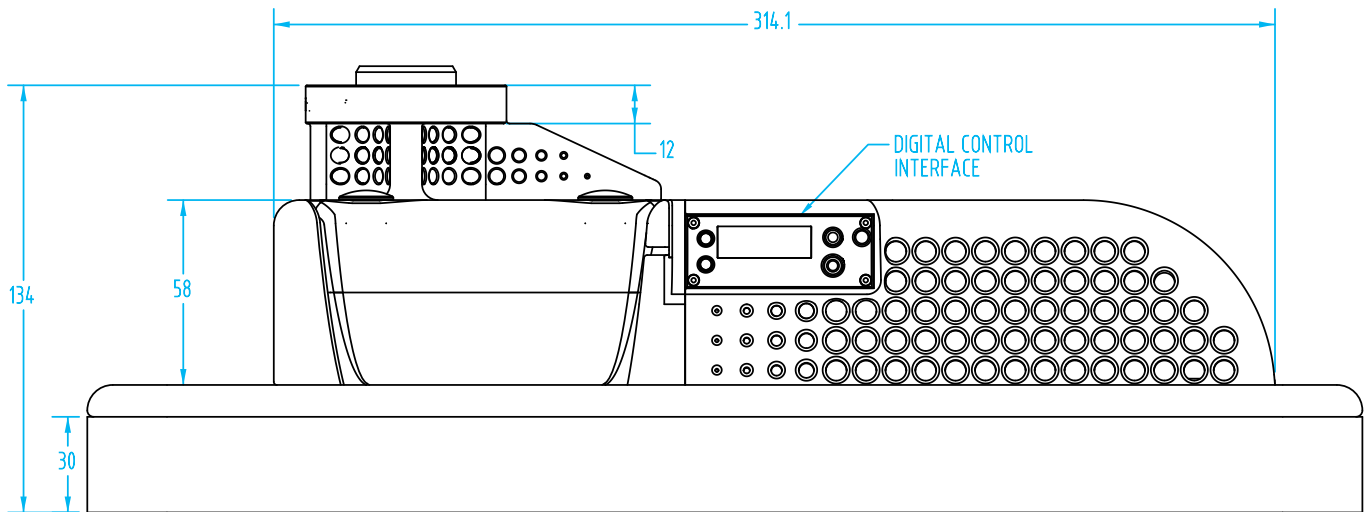
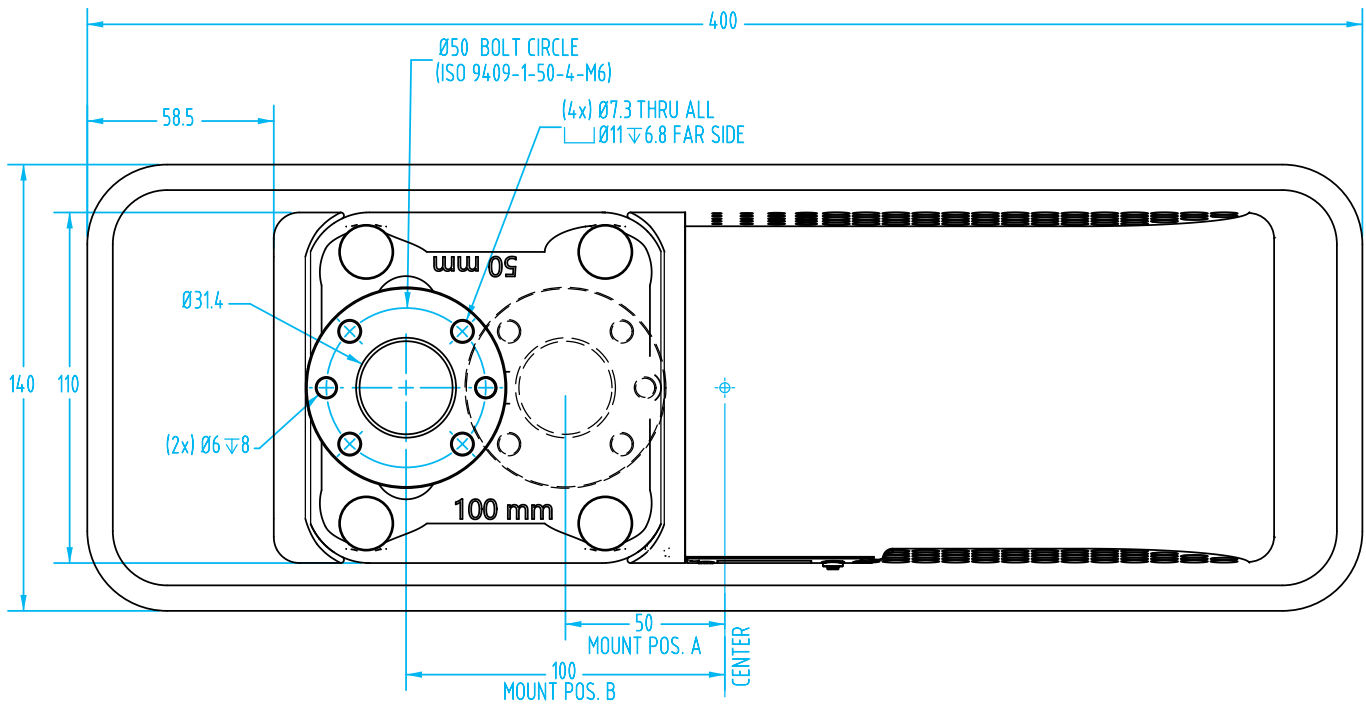
Quick#	Part#	Description	Price
8861	CRV-CPT-30-400X140	Replacement Foam, 400x140mm, 30mm thick	\$116.73
8862	CRV-CPT-18XG14-CUPS	Vacuum Cup Plate, 400x140mm, 18x Cups with G1/4" Nipples	\$231.16

*See website for dimensional drawing and hole spacing of vacuum cup plate.



Palletizing Area Gripper – PIAB CPT

(Dimensioned drawings reduced to fit)



- CU
- QC
- VG
- VC
- VA
- SG
- GR
- MT
- AC
- CS
- CC