

Paper / Logistics NBR Vacuum Cups – Schmalz FGC

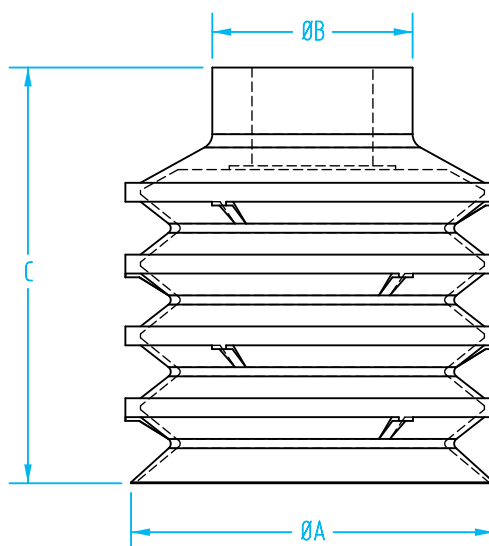
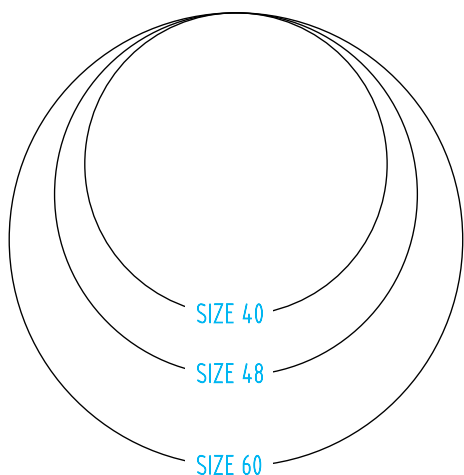


The Schmalz FGC is a bellows, round suction cup that can be used for logistics applications to handle a wide range of workpieces. For example, the FGC can be used to vacuum handle juice pouches over a straw.

- Buy Nipples Separately on page 140.

Schmalz FGC Vacuum Cup Properties

Material	Color	Max Temp. (<30 sec.)	Max Temp. (>30 sec.)	Durometer
NBR	Black	-22 to 248 °F	14 to 158 °F	55°



Quick#	Part#	ØA Diameter Cup	ØB (mm)	C (mm)	Use Nipple Size:	Price
8785	FGC-40-NBR-55-SC080	40mm	25	47	080	\$25.10
8786	FGC-50-NBR-55-SC080	48mm	26.5	55		\$26.50
8787	FGC-60-NBR-55-SC090	60mm	34	60.5		090

