

Packaging Elastodur Vacuum Cups, 1.5 Bellow – Schmalz SPB



Flexible lips allow for sufficient seal while the tough Elastodur endures high abrasion applications such as cardboard and other rigid packaging.

- Elastodur Material has a 65° shore and minimizes wear.
- Round 1.5 bellows for the use in cardboard box and tray erectors.
- These cups are also used in palletizing and depalletizing processes.
- Heavy-duty applications that require suction cups with excellent sealing and low wear.
- Cups 40mm and larger have a two-piece nipple.

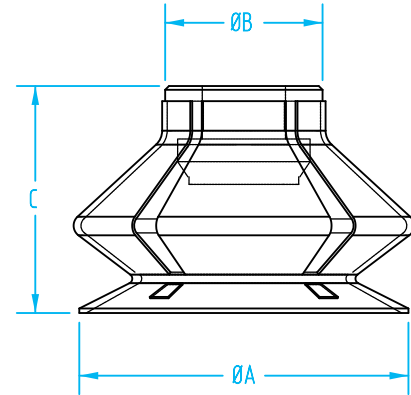
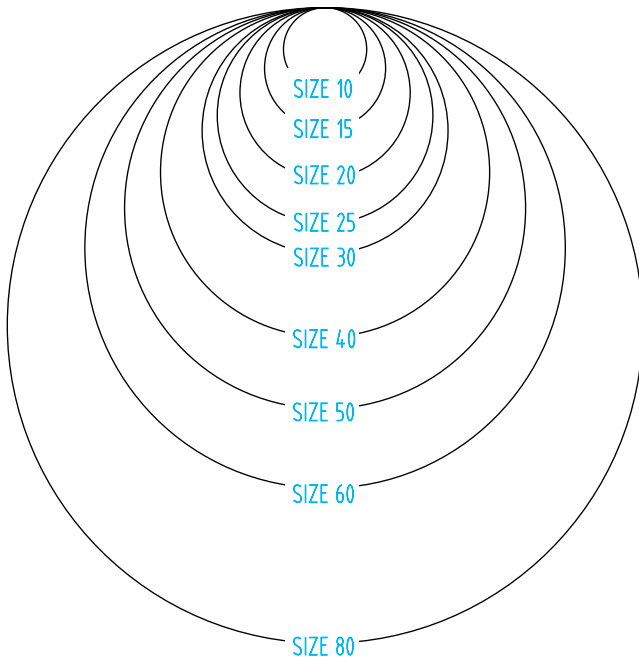
Schmalz SPB Vacuum Cup Properties

Material	Color	Max Temp. (<30 sec.)	Max Temp. (>30 sec.)	Durometer
Elastodur	Green	-40 to 212 °F	-13 to 176 °F	55°



Packaging Elastodur Vacuum Cups, 1.5 Bellow – Schmalz SPB

(Dimensioned drawings shown full scale)



Quick#	Part#	ØA Diameter Cup	ØB (mm)	C (mm)	Use Nipple Size:	Price
8731	SPB1-10-ED-65-SC030	11mm	9	12.25	030	\$8.11
8734	SPB1-15-ED-65-SC040	16mm	14.6	15	040	\$9.01
8737	SPB1-20-ED-65-SC040	22.5mm	14.6	18		\$9.79
8738	SPB1-25-ED-65-SC040	28.5mm	14.6	20.5		\$11.02
8739	SPB1-30-ED-65-SC040	32.5mm	14.6	23		\$12.71
8741	SPB1-40-ED-65-SC050	43.5mm	20.8	30	050	\$15.18
8746	SPB1-50-ED-65-SC050	53mm	20.8	32		\$18.93
8747	SPB1-60-ED-65-SC050	63.5mm	20.8	36		\$21.17
8748	SPB1-80-ED-65-SC065	84mm	27.2	45		\$35.76

Schmalz Elastodur Vacuum Cup Nipples

Quick#	Part#	Thread	Nipple Size	Price
8732	GSF-030-M5M	Male M5	030	\$3.73
8733	GSF-030-M5F	Female M5		\$3.23
8766	GSF-030-G18M	Male G1/8"		\$2.84
8767	GSF-030-G18F	Female G1/8"		\$2.74
8768	GSF-040-M5M	Male M5	040	\$3.73
8735	GSF-040-G18M	Male G1/8"		\$3.73
8736	GSF-040-G18F	Female G1/8"		\$3.39
8740	GSF-040-G14M	Male G1/4"		\$7.86
8769	GSF-040-G14F	Female G1/4"		\$7.25
8742	GSF-050-G14M-MOD	Male G1/4" 2-Piece	050	\$5.89
8743	GSF-050-G14F-MOD	Female G1/4" 2-Piece		\$5.64
8744	GSF-050-G18F	Female G1/8"		\$3.35
8745	GSF-050-G18M-MOD	Male G1/8" 2-Piece		\$5.78
8749	GSF-065-G14M-L-MOD	Male G1/4" 2-Piece	065	\$7.20
8750	GSF-065-G14F-L-MOD	Female G1/4" 2-Piece		\$7.23

Nipple dimensional drawings on page 138.

- CU
- QC
- VG
- VC**
- VA
- SG
- GR
- MT
- AC
- CS
- CC