

Bin Picking PU / SI Vacuum Cups – Schmalz SVE

These bin-picking vacuum cups from Schmalz have an extremely thin sealing lip for optimal adaptation to corners, edges and free form surfaces. Stabilizing internal support contour for safe handling of different products. Large nominal flow compensates for leakages in a wide variety of workpieces.

- Bell-shaped suction cup for maximum flexibility on corners and edges.
- Handling of various workpieces in bin-picking applications.
- Handling of consumer goods in the field of warehouse automation.
- FDA compliant silicone for direct contact with food products.
- Nipples can be included or purchased separately.

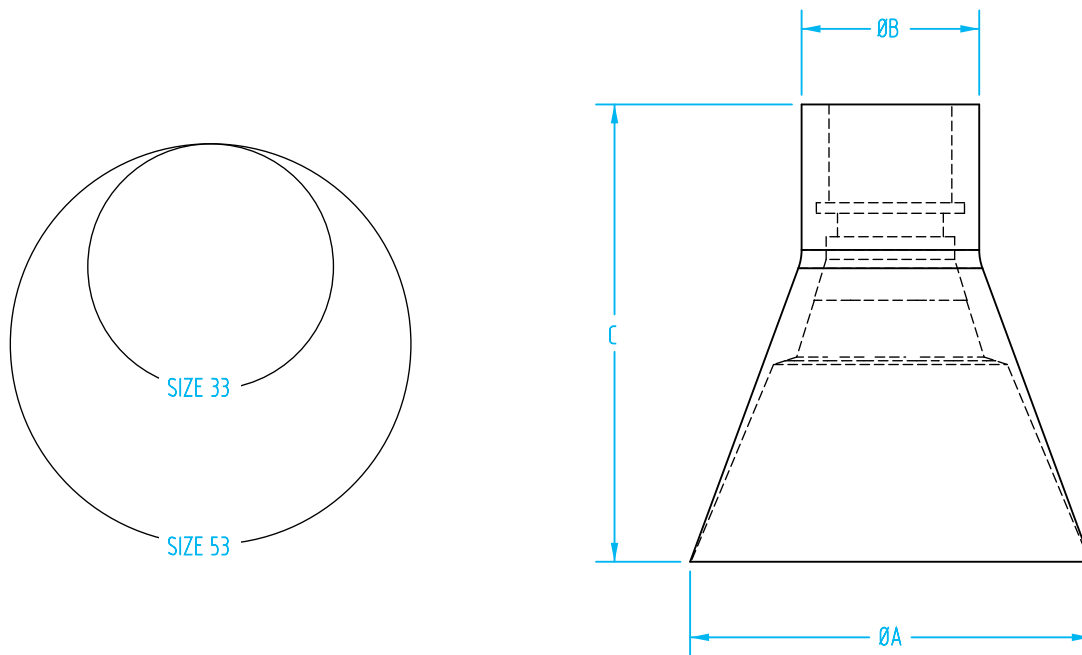
Schmalz SVE Vacuum Cup Properties

Material	Color	Max Temp.	Durometer
PU	Blue	266°F	55°
Metal Detectable Silicone SI	Light Blue	428°F	55°



Bin Picking PU / SI Vacuum Cups – Schmalz SVE

(Dimensioned drawings shown full scale)



Quick#	Part#	ØA Diameter Cup	B (mm)	C (mm)	Nipple:	Price
8701	GSV-SVE-33-PU-55	32.5mm	15.5	37.5	#8735 / #8740	\$51.06
8735	GSF-040-G18M	-			G1/8" Male	\$3.73
8740	GSF-040-G14M	-			G1/4" Male	\$7.86
8704	GSV-SVE-53-PU-55	53mm	23.5	60.5	#8773 / #8775 / #8777	\$80.50
8705	GSV-SVE-53-SIMD-55	53mm, Metal Detectable	23.5	60.5	#8773 / #8775 / #8777	\$80.50
8773	GSF-080-G18M	-			G1/8" Male	\$5.35
8775	GSF-080-G14M	-			G1/4" Male	\$5.35
8777	GSF-080-G38M	-			G3/8" Male	\$5.35

Nipples are not included with cups, see page 138 for dimensional drawings.

- CU
- QC
- VG
- VC**
- VA
- SG
- GR
- MT
- AC
- CS
- CC

Vacuum Cup Mounts:

[Click here to Shop!](#)



Gimatic Vacuum Arms

- Available in both inline and adjustable angle versions.



Vacuum Extension Tubes, Elbows, and Adaptors



>ASS< Vacuum Arms

- Available in both inline and adjustable angle versions.