

Vacuum Monitor Switches – Schmalz VSi

- Electronic vacuum and pressure switch with digital outputs and IO-Link communication for measuring and monitoring negative and positive pressure in automation and handling systems.
- 2x digital output signals with switchable signal type (PNP / NPN) available depending on your application need.
- Compact switch for installation directly on the suction cup, particularly in decentralized vacuum systems.
- NFC interface allows parameterization and reading of service and maintenance data via smartphone. Programmable through push-button interface as well.
- Output of device data such as type or operating instructions via smartphone, even with variants without display.
- LED indicators visible from all sides display various modes and switching points.



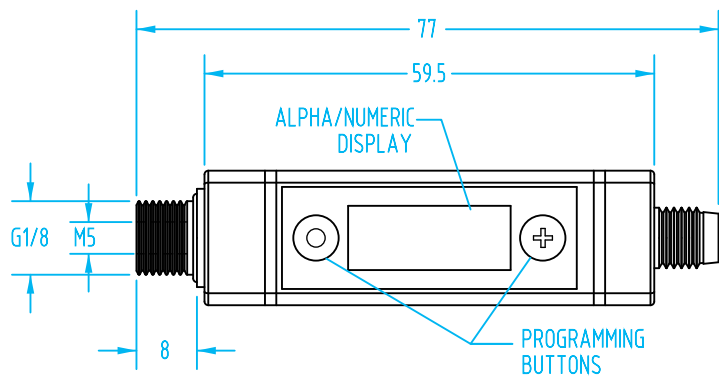
The electronic switches have a modular structure and can be easily integrated into the automation environment.

Vacuum Sensor

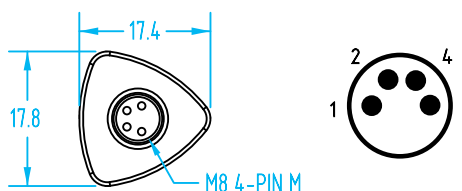
Quick#	Part#	Signal	Measuring Range	Wt	Price
8789	VSI-V-D-M8-4	PNP/NPN (Switchable)	-14.5 – 0.0 psi	16g	\$161.16

Vacuum and Pressure Sensor

Quick#	Part#	Signal	Measuring Range	Wt	Price
8788	VSI-VP8-D-M8-4	PNP/NPN (Switchable)	-14.5 – 116 psi	16g	\$189.87



(Dimensioned drawings shown full scale)



Pin#	Wire Color	Function	Control Box Terminal
1	Brown	Power (VDC)	+24VDC
2	White	Signal 2 / Analog	DI
3	Blue	Ground	0Vdc
4	Black	Signal 1 / IO-Link	DI



VSi Mounting Brackets

Quick#	Part#	Description	Price
8790	BEF-WIN-1.5-VSI-D-M8	Swivel with Hardware	\$27.06
8791	HTR-VSI-CLIP	Clip-In, Sold in Pairs	\$11.75

M3 Drop-In Nut recommended for mounting to profile. See Q# 3853