

Automatic Quick Changer Kit – TripleA Robotics Wingman

- **Suggested payload: 72.75 lbs (33kg)**
- To be used with UR and Fanuc CRX.
- Also available for Doosan and Techman.
- Automatic and manual tool change in one with standard ISO flange (ISO 9409-1-50-4-M6).

Quick# 8401
 WM1-DK-05-00-A
KIT PRICE: \$3,622.00

Wingman pricing effective 05/01/24 and subject to change.

Kit Includes:

- Quick# 8411: Robot-Side Quick Changer
- Quick# 8412: EOAT-Side Quick Changer (x2)
- Quick# 8413: EOAT Holder with hardware (x2)
- Quick# 8421: Robot-Side Electrical Connector
- Quick# 8422: EOAT-Side Electrical Connectors (x2)
- Quick# 8441: Robot-Side Electrical Cable
- Quick# 8431: Robot-Side Pneumatic Module
- Quick# 8432: EOAT-Side Pneumatic Modules (x2)



Automatic Quick Changer Kit – TripleA Robotics Wingman



See EMI framing section of our EOAT catalog to build your own tool stand!

- CU
- QC**
- VG
- VC
- VA
- SG
- GR
- MT
- AC
- CS
- CC

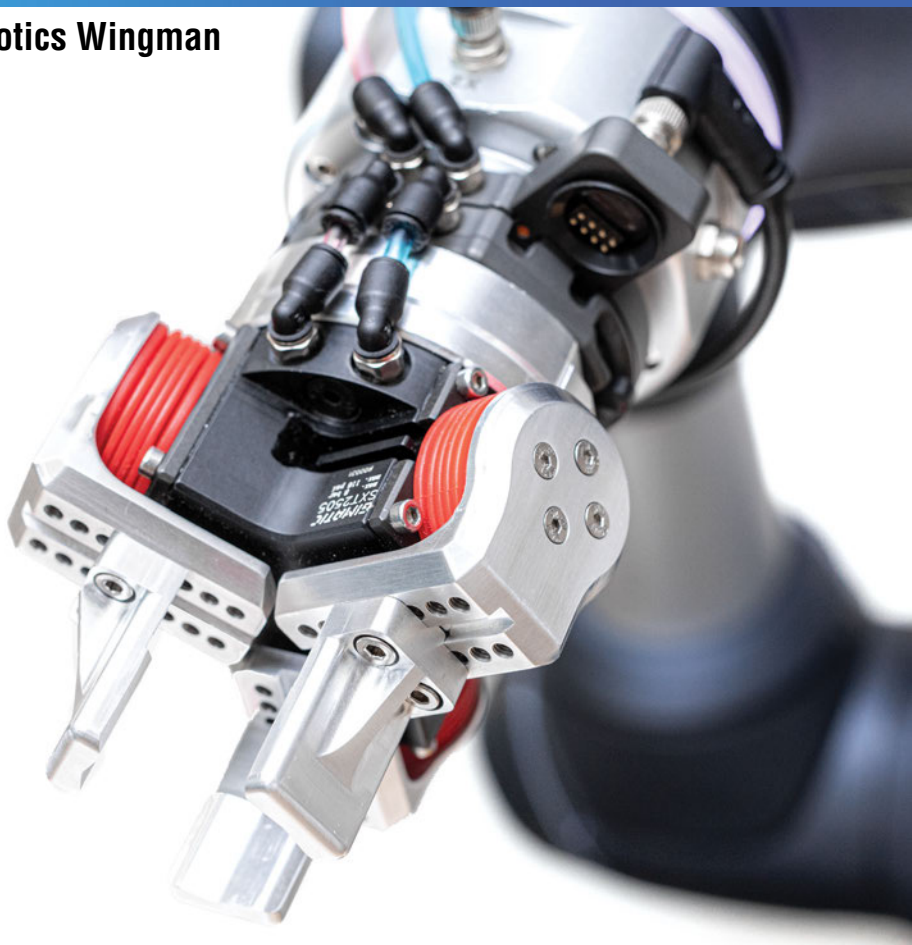


Automatic Quick Changer – TripleA Robotics Wingman

The Wingman automatic quick changer system is a fully modular, easy to install solution that requires only the energy of the robot to engage-disengage each tool. This makes programming and startup fast and intuitive.

Wingman’s redundant locking mechanism enables for more electrical and pneumatic circuits for your application using built-in pneumatic quick change ports or expandable pneumatic or electric modules.

Automatic Tool Changers require some level of added integration, and we encourage you to partner with our EOAT Engineers to ensure a seamless implementation.



- **Suggested payload: 72.75 lbs (33kg)**
- ISO 9409-1-50-4-M6
- Compatible with Plug & Play or custom tools.
- (2x) Built-in M5 pneumatic ports.
- Up to 3 electrical connections.
- Up to 6 additional pneumatic connections.
- Can connect to robot tool I/O or controller.

**Available as a kit
or build your own!**

Quick#	Part#	Description	Weight	Price
8411	WM1-P-01-01-01	Robot-Side Quick Changer (w/ hardware)	110g	\$497.00
8412	WM1-P-02-01-01	EOAT-Side Quick Changer	150g	\$639.00
8413	WM1-P-03-01	EOAT-Side Quick Changer Holder (w/ hardware)	220g	\$221.00
8421	WM1-A-01-01-01	Electrical Connector – Robot-Side, M8 connector, Female 8pin	22g	\$377.00
8422	WM1-A-01-02-01	Electrical Connector – EOAT-Side, M8 connector, Male	22g	\$377.00
8423	WM1-A-01-02-02	Electrical Connector – EOAT-Side, M8 connector, Female	22g	\$377.00
8441	WM1-A-02-01-01	Electrical cable – Wingman to EOAT I/O, M8 connector, Female-Male (UR1, FA)	18g	\$68.00
8442	WM1-A-02-01-02	Electrical cable – Wingman to EOAT I/O, M8 connector, Male-Male (TM1 OM1)	26g	\$68.00
8443	WM1-A-02-01-03	Electrical cable – Wingman to EOAT I/O, M8 connector, Male-Male (DO1)	28g	\$68.00
8431	WM1-A-03-01	Pneumatic Module – Robot-Side, 2x Ø6mm hose	22g	\$148.00
8432	WM1-A-03-02	Pneumatic Module – EOAT-Side, 2x Ø6mm hose	26g	\$148.00
8450	WM1-SK-01-01	Spare Part Kit for EOAT-Side (2x levers, 4x bearings, 2x springs, 2x pins)	-	\$143.00
8451	WM1-S-02-10	Replacement O-Rings for EOAT Side Quick Changer	-	\$17.00
8444	WM1-A-08-02-01	Cap Module for Wingman Protects Robot Side Contacts		\$68.00
8445	SM1-P-10-01-01	Spaceman 10mm Spacer, ISO 9409-1-50-4-M6		\$129.00
8446	SM1-P-20-01-01	Spaceman 20mm Spacer, ISO 9409-1-50-4-M6		\$129.00

Wingman pricing effective 05/01/24 and subject to change.

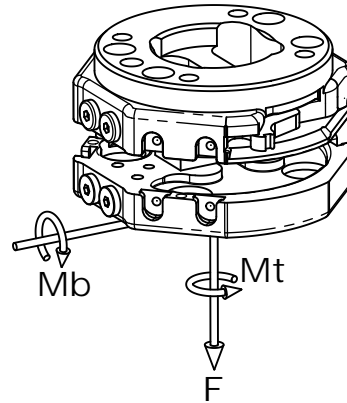
[Use Quick#s for easy online ordering.](#)

Automatic Quick Changer – TripleA Robotics Wingman

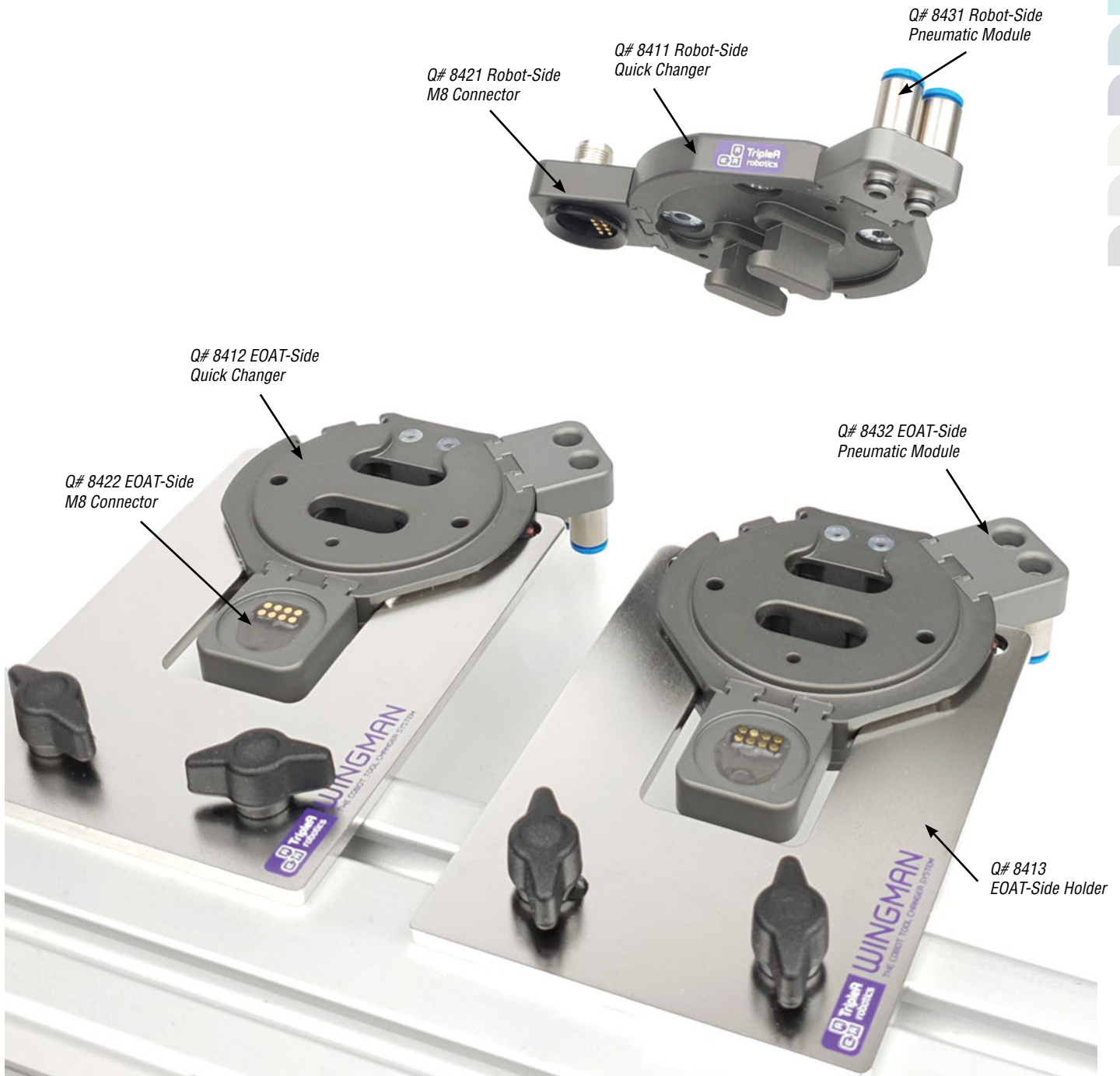
Safety loads

Check the table for the maximum loads allowed. Excessive forces or torques can damage the system, cause operation problems and endanger the safety of the operator.

	Max.
Mt	59 ft-lbs
F	224.8 lbs
Mb	59 ft-lbs

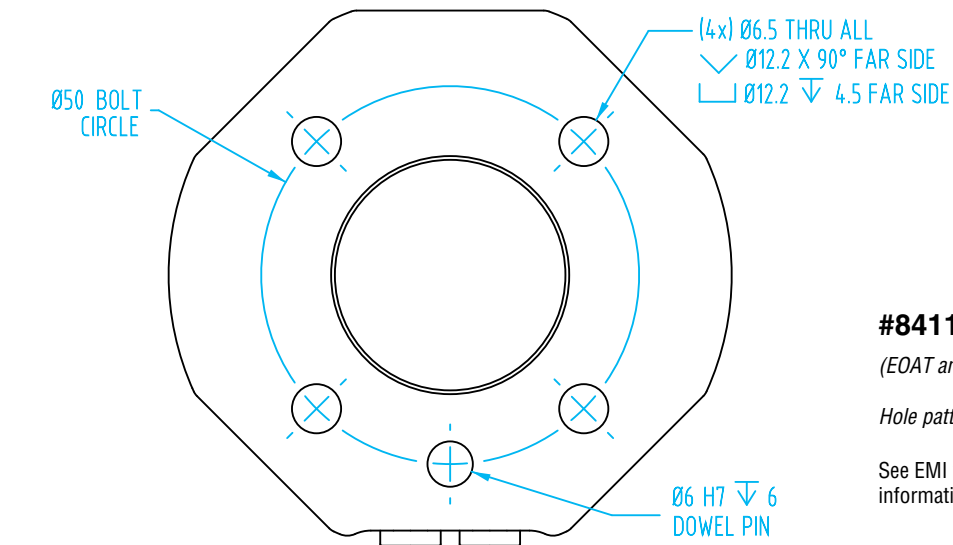


- CU
- QC
- VG
- VC
- VA
- SG
- GR
- MT
- AC
- CS
- CC



Automatic Quick Changer – TripleA Robotics Wingman

(Dimensioned drawings shown full scale)

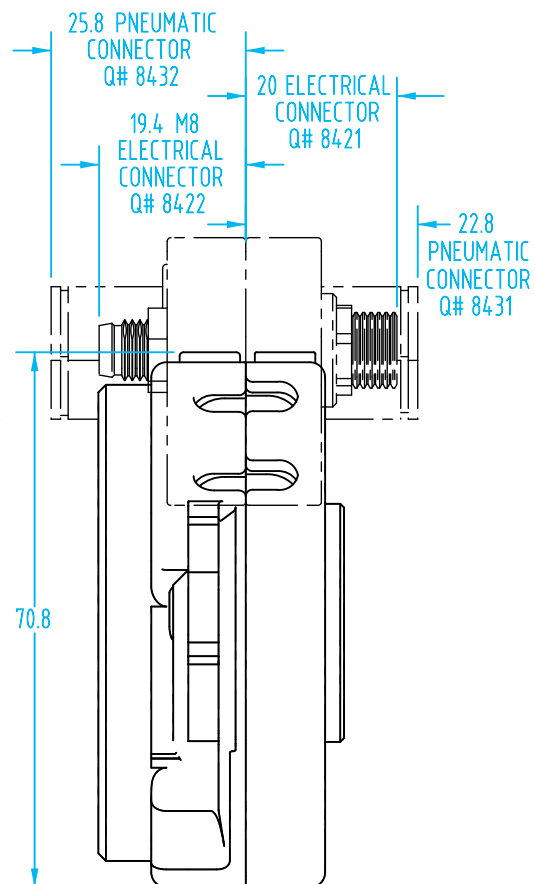
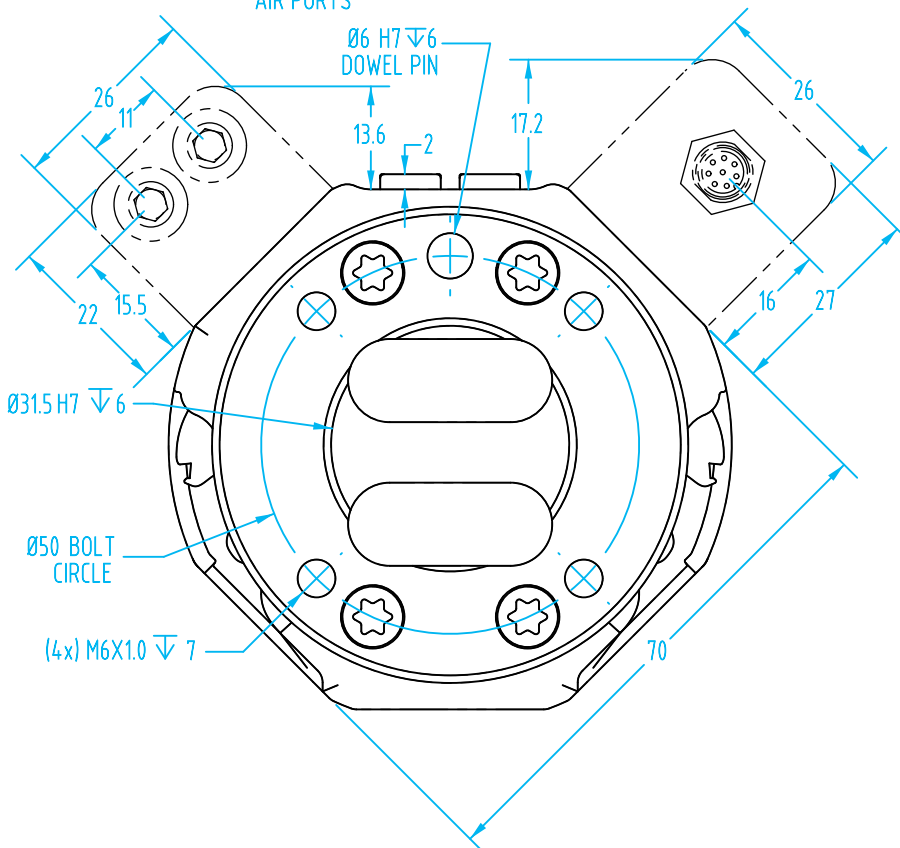
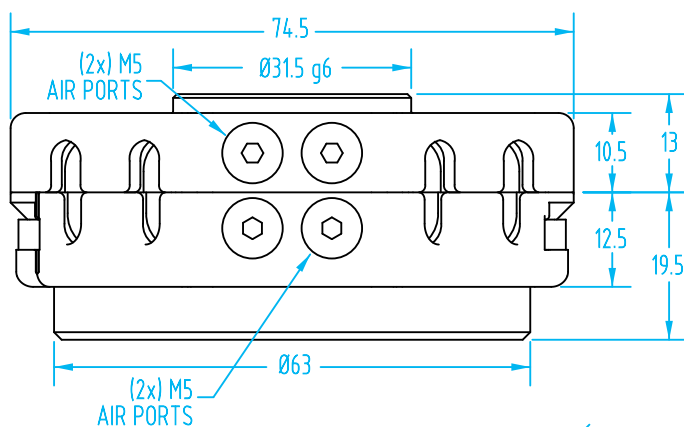


#8411 & #8412

(EOAT and Robot Sides Shown)

Hole pattern compatible with ISO 9409-1-50-4-M6.

See EMI website for more dimensional drawings and information on electric and pneumatic connectors.



Automatic Quick Changer – TripleA Robotics Wingman

(Dimensioned drawings shown full scale)

**Watch EMI's
Wingman Quick
Changer Video!**



CU

QC

VG

VC

VA

SG

GR

MT

AC

CS

CC

